

STRAIGHT NOSE PLIERS

VDE INSULATED 1000V BI-MATERIAL HANDLES

Code: 69 147 135

Standard:



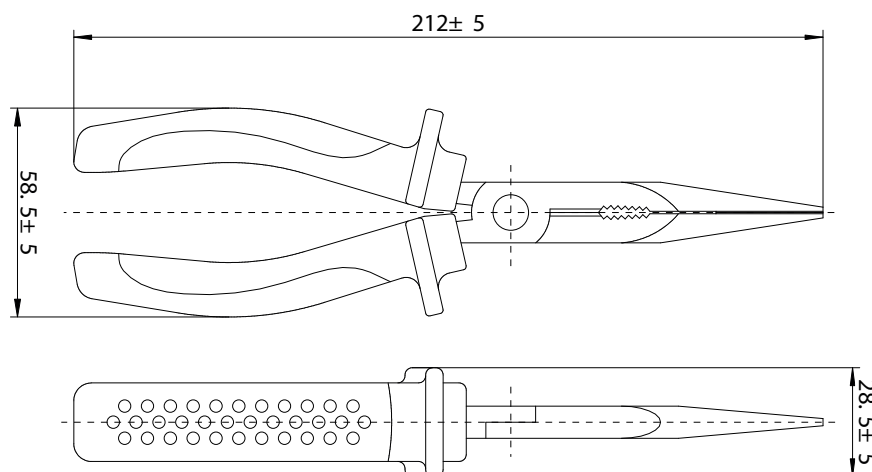
**LIFETIME
WARRANTY**

DESCRIPTION

- Improved grip with the striated jaws
- Ergonomic handles for more comfortable use
- Opening capacity: 34 mm
- Cutting capacity: 1.8 mm

SPECIFICATIONS

Total length	200 mm
Jaw shape	Half-round
Jaw type	Straight
Pliers type	Industry
Insulated 1000V	Yes
Handle finish	Bi-material
Jaw length	77 mm
Antistatic	No



YOUR PERFORMANCE PARTNER