

REVISION

1	4504
2	4753
3	
4	
5	
6	
7	
8	
9	
10	
11	
12	
13	
14	
15	
16	
17	
18	
19	
20	

IMPORTANT
WHEN ORDERING SPARES YOU MUST STATE THE FULL PART NUMBER AND THE PRODUCT SERIAL NUMBER - FROM THE LABEL TO PROTECT YOUR WARRANTY ALWAYS USE GENUINE HI-FORCE PARTS.

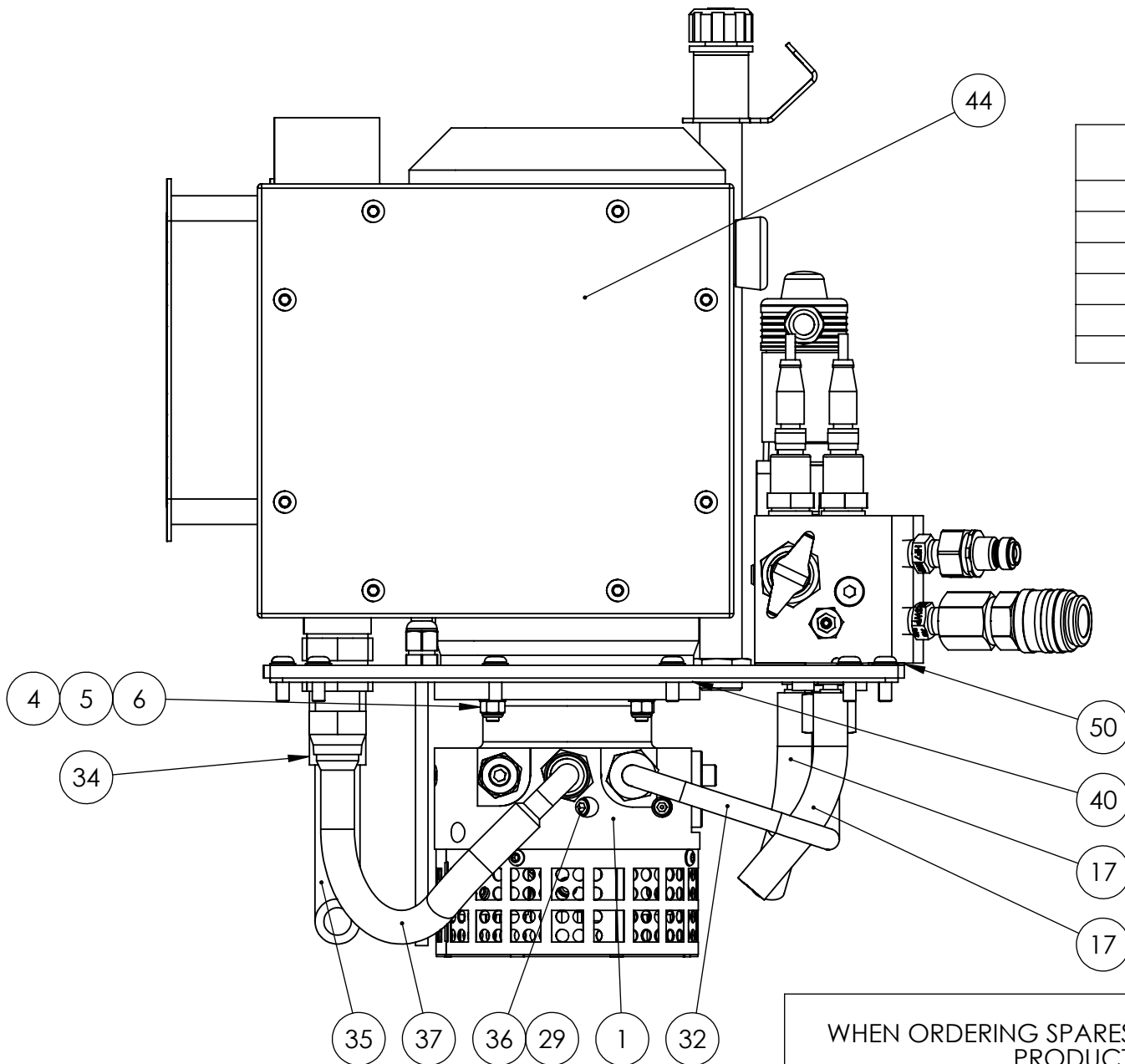
ITEM NO.	PART NUMBER	DESCRIPTION	QTY.
1	PMA019DT001	PUMP HEART	1
2	TAC007BL001	TANK LID	1
3	BLC005HF010	SKT CSK SCREW	2
4	BLC006ST000	M6X35MM ENGINEERING STUD	4
5	WAC006AF000	WASHER	8
6	NUC006JC000	NYLOK NUT	8
7	TAC007AL001	OIL RESERVOIR	1
8	VFC006RN002	VALVE BLOCK	1
9	FPC008PM003	PLUG	14
10	VRC700ZE002	ADJUSTABLE RELIEF VALVE	1
11	VRC080ZF001	LOW PRESSURE RELIEF VALVE	1
12	FPC006PN002	PLUG	6
13	FPC006YW001	COUPLING BODY	1
14	BAC005SN001	3/16 BALL	2
15	FAS006ME006	CUP PT SCREW	2
16	VFA000LH001	PILOT OPERATED VALVE	2
17	HOC006AB005	RETURN HOSE	2
18	SEC008RA002	O-RING	14
19	VFC000CD010	3/2 VALVE	1
20	CM4F	COUPLER	1
21	CF4F	COUPLER	1
22	TAC000FC001	OIL COOLER AND FAN UNIT	1
23	TAC000FT006	LEVEL TEMP GAUGE	1
24	TAC007CS001	ROLL FRAME	1
25	BLC006JC012	SOCKET CAP HD SCREW	8
26	WAC006EB000	WASHER	12
27	BLC006JH018	BUTTON HEAD SCREW	12
28	WAC012HD001	DOWTY WASHER	2
29	WAC007HD000	DOWTY WASHER	3
30	EMC024BA010	LOW PRESSURE TRANSDUCER	1
31	BLC006JH030	BUTTON HEAD SCREW	4

ITEM NO.	PART NUMBER	DESCRIPTION	QTY.
32	HOC010PS002	PRE BENT TUBE ASSEMBLY	1
33	HF7	1/4" NPT MALE ADAPTOR	2
34	FPC013AB001	BARREL	1
35	TAC000PA006	RETURN PIPE	1
36	FPC010NB001	REDUCER	1
37	HOC010AB002	LOW PRESSURE HOSE	1
38	FPC003PB001	BLANKING PLUG	1
39	BPC020SP001	FILLER	1
40	X	O-RING	1
41	VFC003WH016	RESTRICTOR	1
42	AAN000UP001	NAMEPLATE	1
43	FAS002HZ001	HAMMER DRIVE SCREW	2
44	(SEE SHEET 3)	MOTOR AND CONTROLLER	1
45	VFA006FH002	CHECK VALVE	1
46	FPC006PB002	BLANKING PLUG	1
47	FPC020AM003	EXTENSION TUBE	1
48	FPC020AM002	BARREL	1
49	NUC020LB000	LOCK NUT	1
50	X	VALVE GASKET	1
51	X	TANK GASKET	1
52	ECC012GN001	CABLE GLAND	1
53	SEC013RA001	O-RING	1
54	HDTG1E	DIGITAL GAUGE WITH TRANSDUCER	1
55	EMC024BA700	HIGH PRESSURE TRANSDUCER	1
56	SFC002HC003	FILLER BRACKET	1

REVISION	
1	4504
2	4753
3	
4	
5	
6	
7	
8	
9	
10	
11	
12	
13	
14	
15	
16	
17	
18	
19	
20	

ITEMS MARKED X ARE AVAILABLE IN SERVICE KIT TPETP1-K ONLY

IMPORTANT
 WHEN ORDERING SPARES YOU MUST STATE THE FULL PART NUMBER AND THE
 PRODUCT SERIAL NUMBER - FROM THE LABEL
 TO PROTECT YOUR WARRANTY ALWAYS USE GENUINE HI-FORCE PARTS.

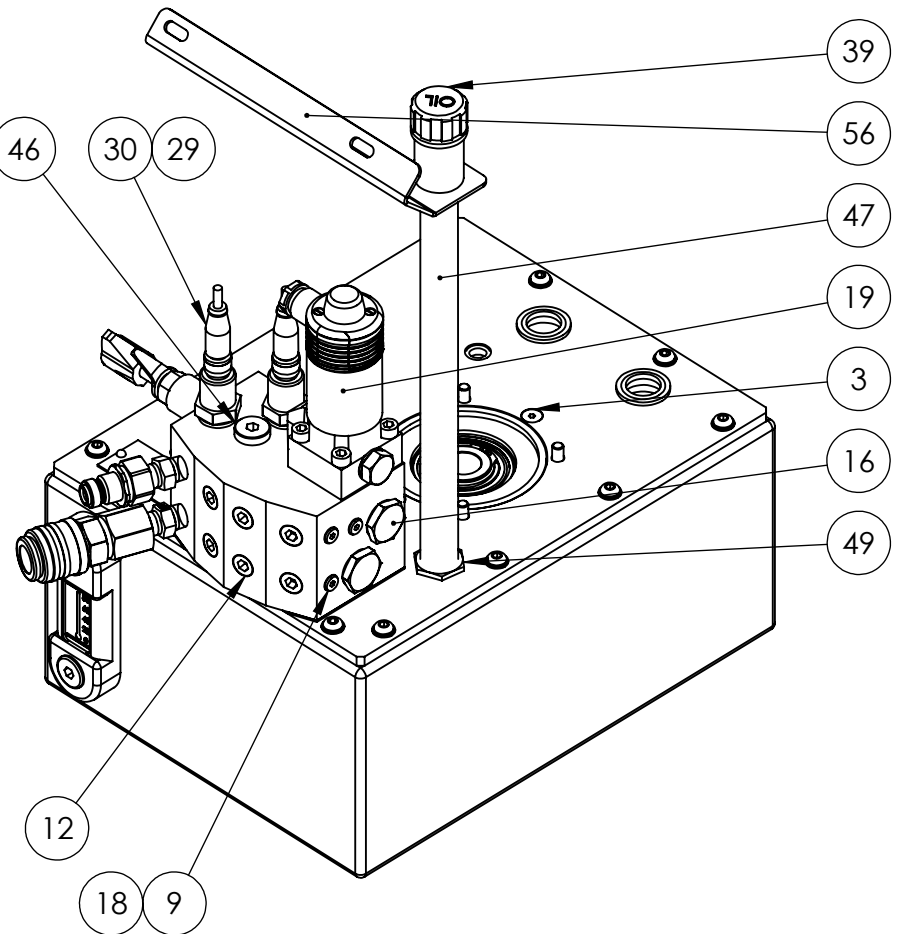
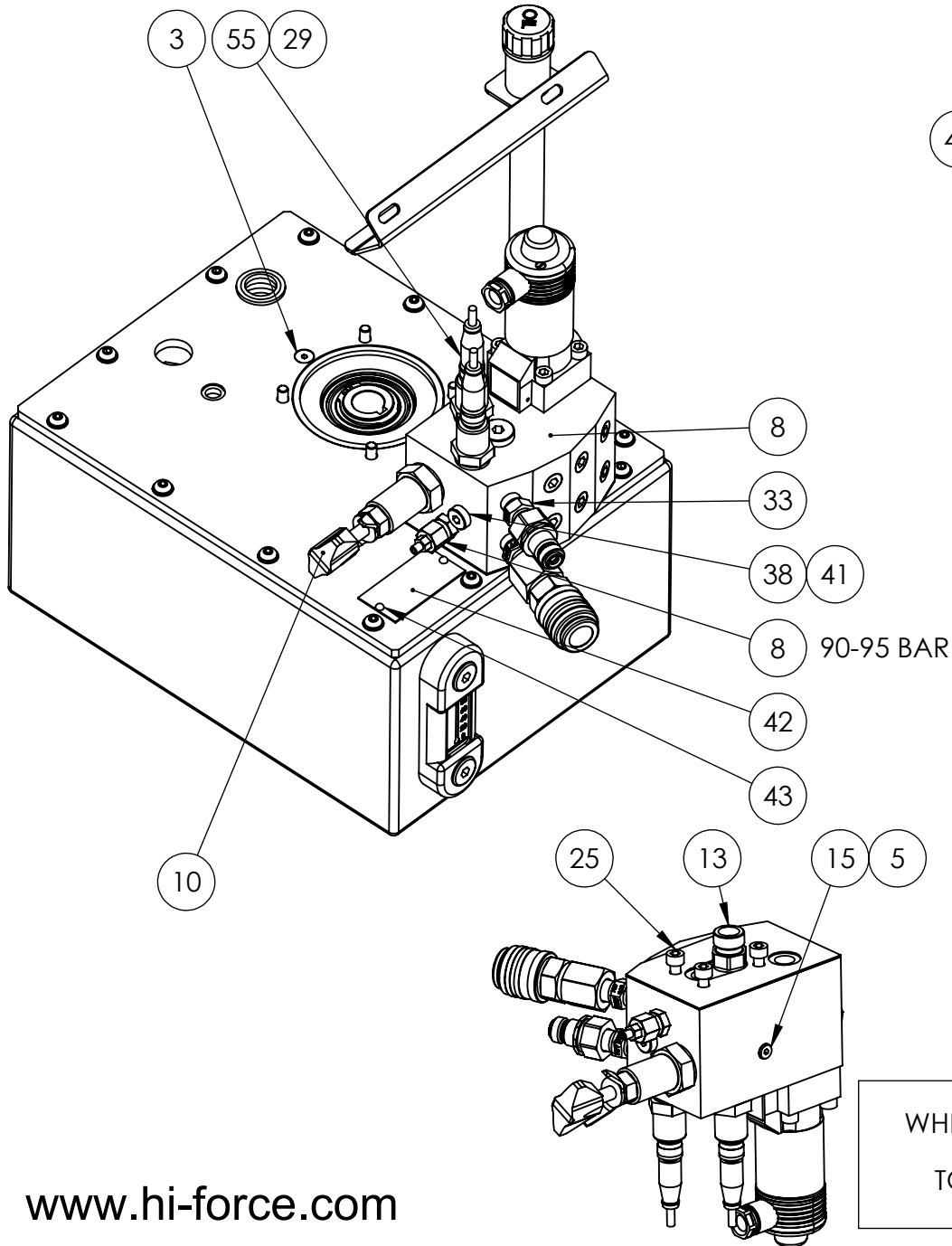


PUMP MODEL	MOTOR/CONTROLLER
TPE15A	EMTPE15A
TPE16A	EMTPE16A
TPE25A	EMTPE25A
TPE26A	EMTPE26A
TPE45A	EMTPE45A
TPE46A	

REVISION

1	4504
2	4753
3	
4	
5	
6	
7	
8	
9	
10	
11	
12	
13	
14	
15	
16	
17	
18	
19	
20	

IMPORTANT
WHEN ORDERING SPARES YOU MUST STATE THE FULL PART NUMBER AND THE PRODUCT SERIAL NUMBER - FROM THE LABEL TO PROTECT YOUR WARRANTY ALWAYS USE GENUINE HI-FORCE PARTS.

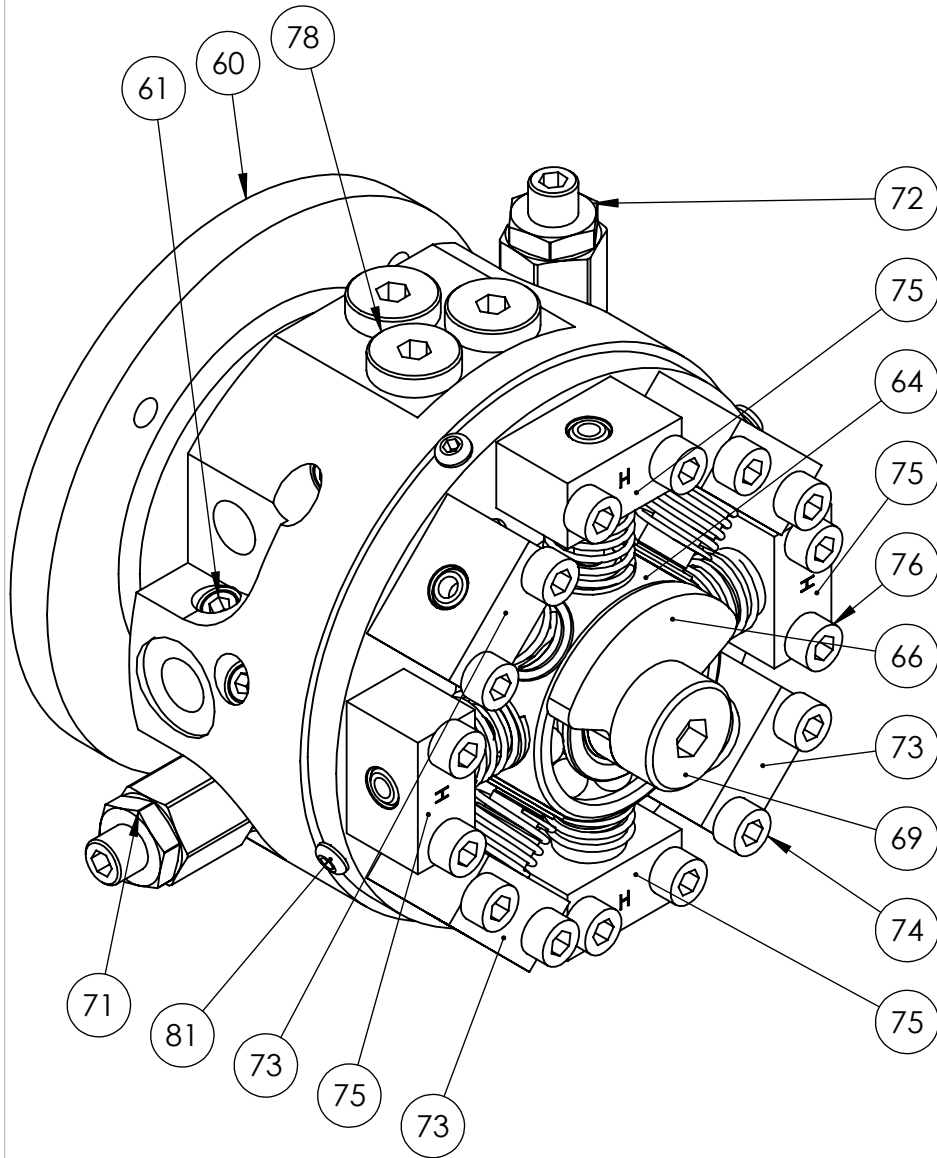


REVISION

1	4504
2	4753
3	
4	
5	
6	
7	
8	
9	
10	
11	
12	
13	
14	
15	
16	
17	
18	
19	
20	

IMPORTANT

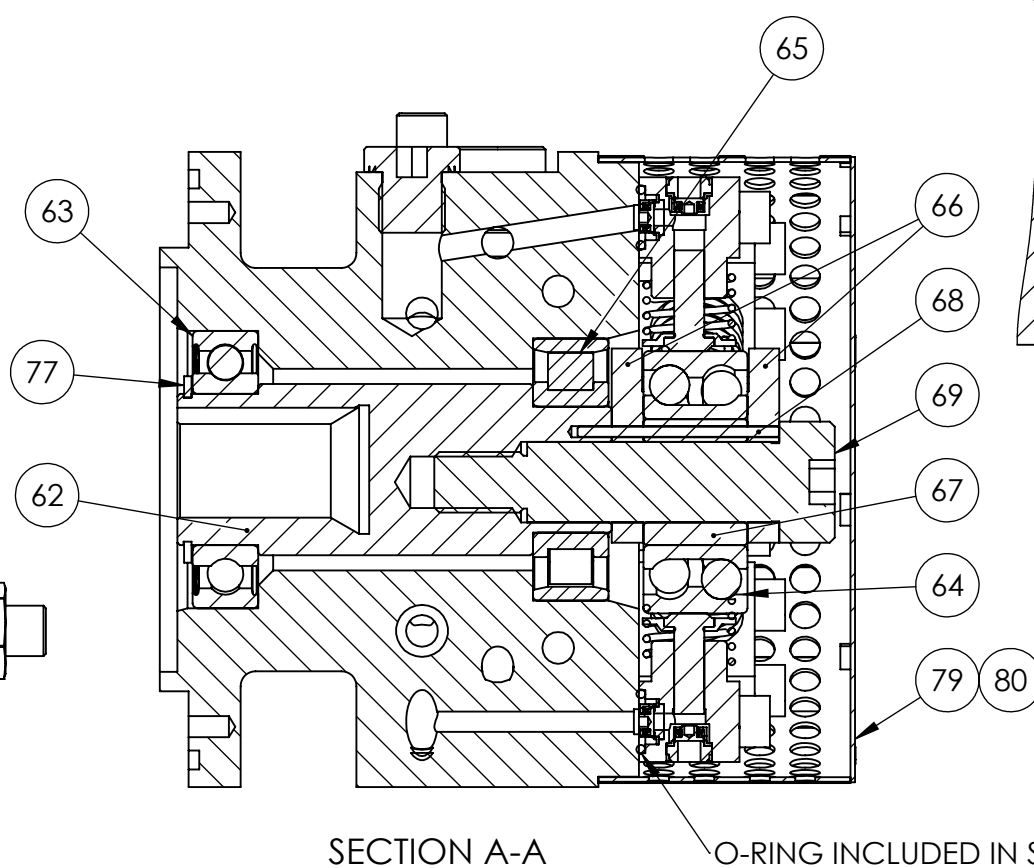
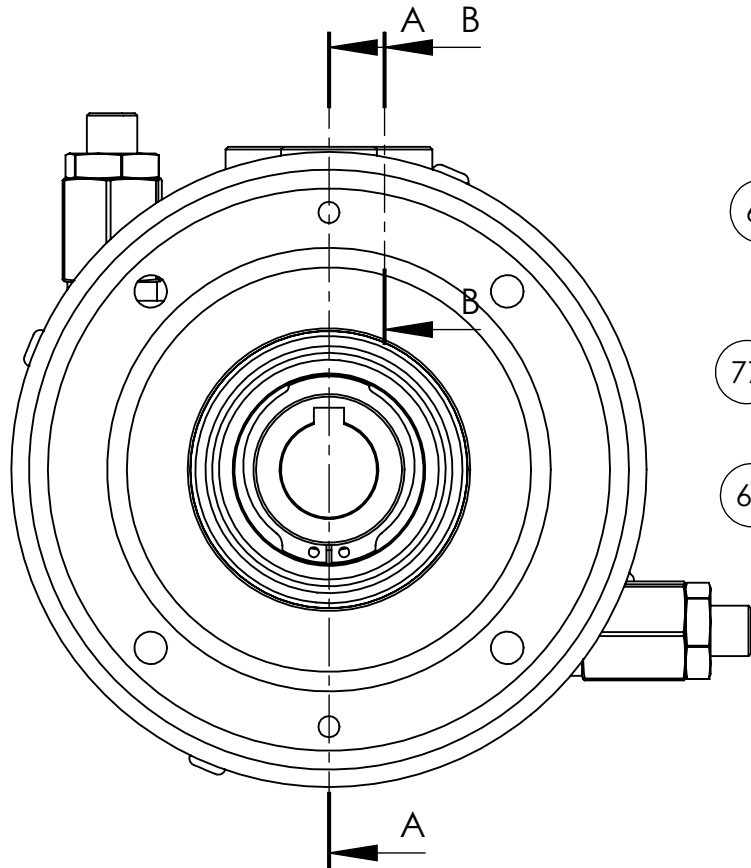
WHEN ORDERING SPARES YOU MUST STATE THE FULL PART NUMBER AND THE PRODUCT SERIAL NUMBER - FROM THE LABEL TO PROTECT YOUR WARRANTY ALWAYS USE GENUINE HI-FORCE PARTS.



ITEM NO.	PART NUMBER	DESCRIPTION	QTY.	REVISION	
				1	4504
60	PMC000KM002	PUMP BODY	1	2	4753
61	FPC002PN001	PLUG	11	3	
62	PMC019SM001	DRIVE SHAFT	1	4	
63	BSC030MC001	DEEP GROOVE BALL BEARING	1	5	
64	BSC025ME001	DOUBLE ROW BEARING	1	6	
65	BSC025NC001	CYLINDRICAL ROLLER BEARING	1	7	
66	PMC019EM001	COUNTERWEIGHT	2	8	
67	PMC019RM001	BUSH	1	9	
68	PCC002FE001	LOCATING PIN	1	10	
69	BLC016NS050	SHOULDER SCREW	1	11	
70	VFA006FH001	CHECK VALVE	2	12	
71	VRC065UF001	UNLOADING VALVE 65 BAR	1	13	
72	VRC320UF001	UNLOADING VALVE 320 BAR	1	14	
73	PEA011AA001	LP PISTON BLOCK	4	15	
74	BLC006JD035	SOCKET CAP HD SCREW	8	16	
75	PEA006AA002	HP PISTON BLOCK	4	17	
76	BLC006JD030	SOCKET CAP HD SCREW	8	18	
77	STC030CA002	CIRCLIP	1	19	
78	FPC006PB002	BLANKING PLUG	3	20	
79	FFS124MY001	FILTER WELD ASSEMBLY	1		
80	FFC123EY001	STRAINER	1		
81	BLC004-H008	BUTTON HEAD SCREW	4		

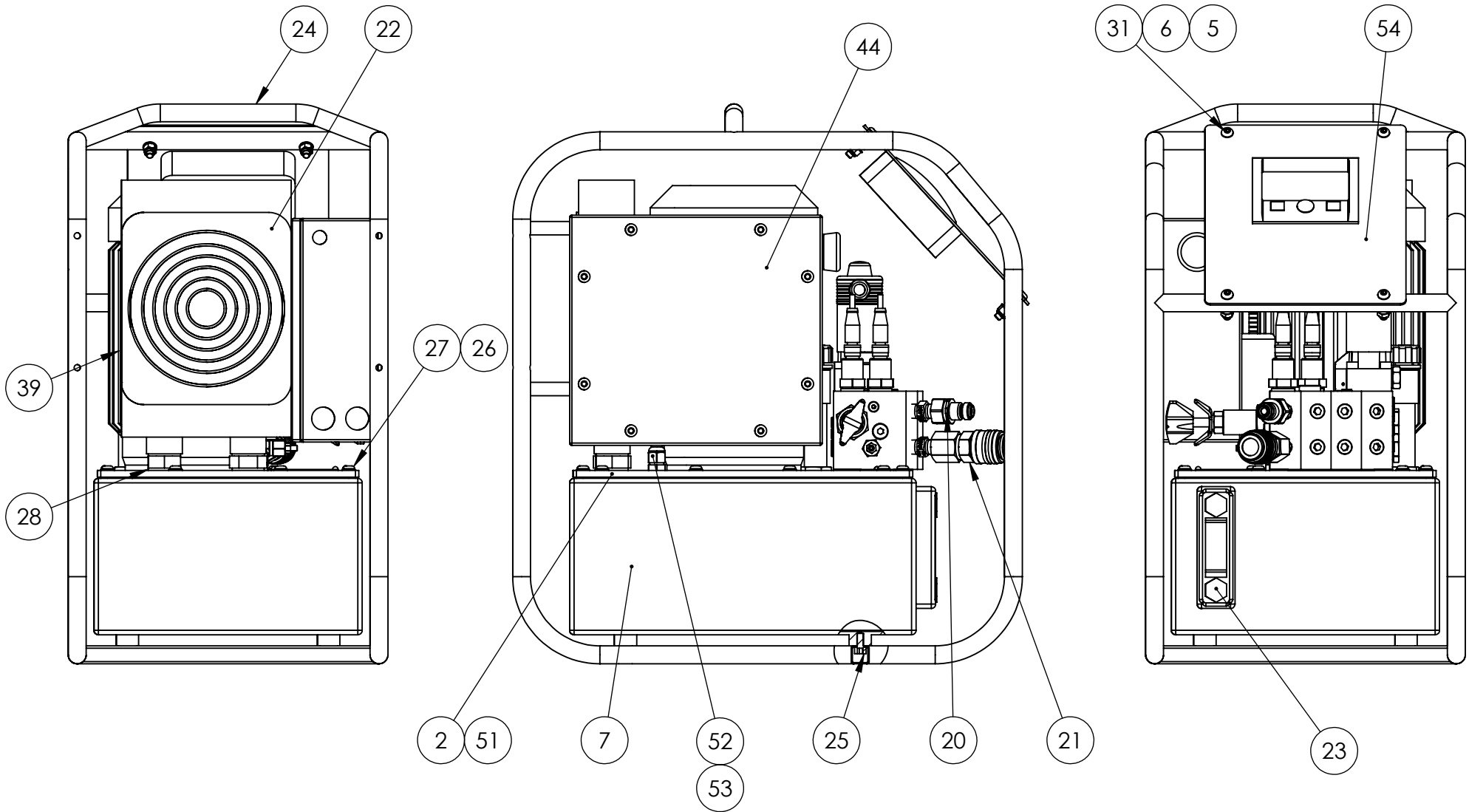
IMPORTANT

WHEN ORDERING SPARES YOU MUST STATE THE FULL PART NUMBER AND THE PRODUCT SERIAL NUMBER - FROM THE LABEL TO PROTECT YOUR WARRANTY ALWAYS USE GENUINE HI-FORCE PARTS.



REVISION	
1	4504
2	4753
3	
4	
5	
6	
7	
8	
9	
10	
11	
12	
13	
14	
15	
16	
17	
18	
19	
20	

IMPORTANT
WHEN ORDERING SPARES YOU MUST STATE THE FULL PART NUMBER AND THE PRODUCT SERIAL NUMBER - FROM THE LABEL TO PROTECT YOUR WARRANTY ALWAYS USE GENUINE HI-FORCE PARTS.



REVISION

1	4504
2	
3	
4	
5	
6	
7	
8	
9	
10	
11	
12	
13	
14	
15	
16	
17	
18	
19	
20	

IMPORTANT
WHEN ORDERING SPARES YOU MUST STATE THE FULL PART NUMBER AND THE PRODUCT SERIAL NUMBER - FROM THE LABEL TO PROTECT YOUR WARRANTY ALWAYS USE GENUINE HI-FORCE PARTS.

ITEM NO.	PART NUMBER	DESCRIPTION	QTY.
1	PMA019DT001	PUMP HEART	1
2	TAC007BL001	TANK LID	1
3	BLC005HF010	SKT CSK SCREW	2
4	BLC006ST000	M6X35MM ENGINEERING STUD	4
5	WAC006AF000	WASHER	8
6	NUC006JC000	NYLOK NUT	8
7	TAC007AL001	OIL RESERVOIR	1
8	VFC006RN002	VALVE BLOCK	1
9	FPC008PM003	PLUG	14
10	VRC700ZE002	ADJUSTABLE RELIEF VALVE	1
11	VRC080ZF001	LOW PRESSURE RELIEF VALVE	1
12	FPC006PN002	PLUG	6
13	FPC006YW001	COUPLING BODY	1
14	BAC005SN001	3/16 BALL	2
15	FAS006ME006	CUP PT SCREW	2
16	VFA000LH001	PILOT OPERATED VALVE	2
17	HOC006AB005	RETURN HOSE	2
18	SEC008RA002	O-RING	14
19	VFC000CD010	3/2 VALVE	1
20	CM4F	COUPLER	1
21	CF4F	COUPLER	1
22	TAC000FC001	OIL COOLER AND FAN UNIT	1
23	TAC000FT006	LEVEL TEMP GAUGE	1
24	TAC007CS001	ROLL FRAME	1
25	BLC006JC012	SOCKET CAP HD SCREW	8
26	WAC006EB000	WASHER	12
27	BLC006JH016	BUTTON HEAD SCREW	12

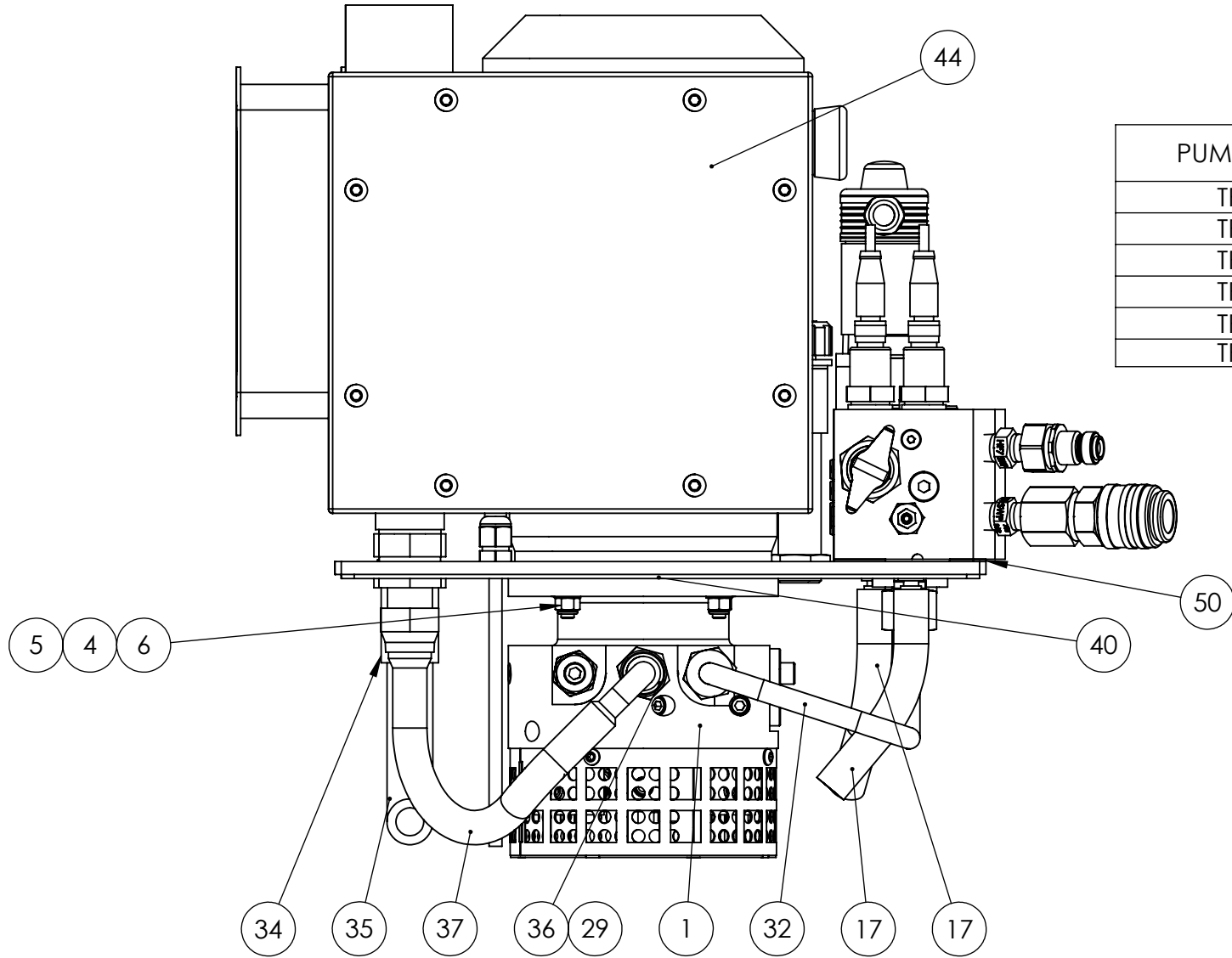
ITEM NO.	PART NUMBER	DESCRIPTION	QTY.
28	WAC012HD001	DOWTY WASHER	2
29	WAC007HD000	DOWTY WASHER	3
30	EMC024BA010	LOW PRESSURE TRANSDUCER	1
31	BLC006JH030	BUTTON HEAD SCREW	4
32	HOC010PS002	PRE BENT TUBE ASSEMBLY	1
33	HF7	1/4" NPT MALE ADAPTOR	2
34	FPC013AB001	BARREL	1
35	TAC000PA006	RETURN PIPE	1
36	FPC010NB001	REDUCER	1
37	HOC010AB002	LOW PRESSURE HOSE	1
38	FPC003PB001	BLANKING PLUG	1
39	BPC020SP001	FILLER	1
40	SEC119RF001	O-RING	1
41	VFC003WH016	RESTRICTOR	1
42	AAN000UP001	NAMEPLATE	1
43	FAS002HZ001	HAMMER DRIVE SCREW	2
44	(SEE SHEET 3)	MOTOR AND CONTROLLER	1
45	VFA006FH002	CHECK VALVE	1
46	FPC006PB002	BLANKING PLUG	1
47	FPC020AM001	EXTENSION TUBE	1
48	FPC020AM002	BARREL	1
49	NUC020LB000	LOCK NUT	1
50	SEC001KT005	VALVE GASKET	1
51	SEC001KT006	TANK GASKET	1
52	ECC012GN001	CABLE GLAND	1
53	SEC013RA001	O-RING	1
54	HDTG1E	DIGITAL GAUGE WITH TRANSDUCER	1
55	EMC024BA700	LOW PRESSURE TRANSDUCER	1

REVISION	
1	4504
2	
3	
4	
5	
6	
7	
8	
9	
10	
11	
12	
13	
14	
15	
16	
17	
18	
19	
20	

ITEMS MARKED X ARE AVAILABLE IN SERVICE KIT TPETP1-K ONLY

IMPORTANT

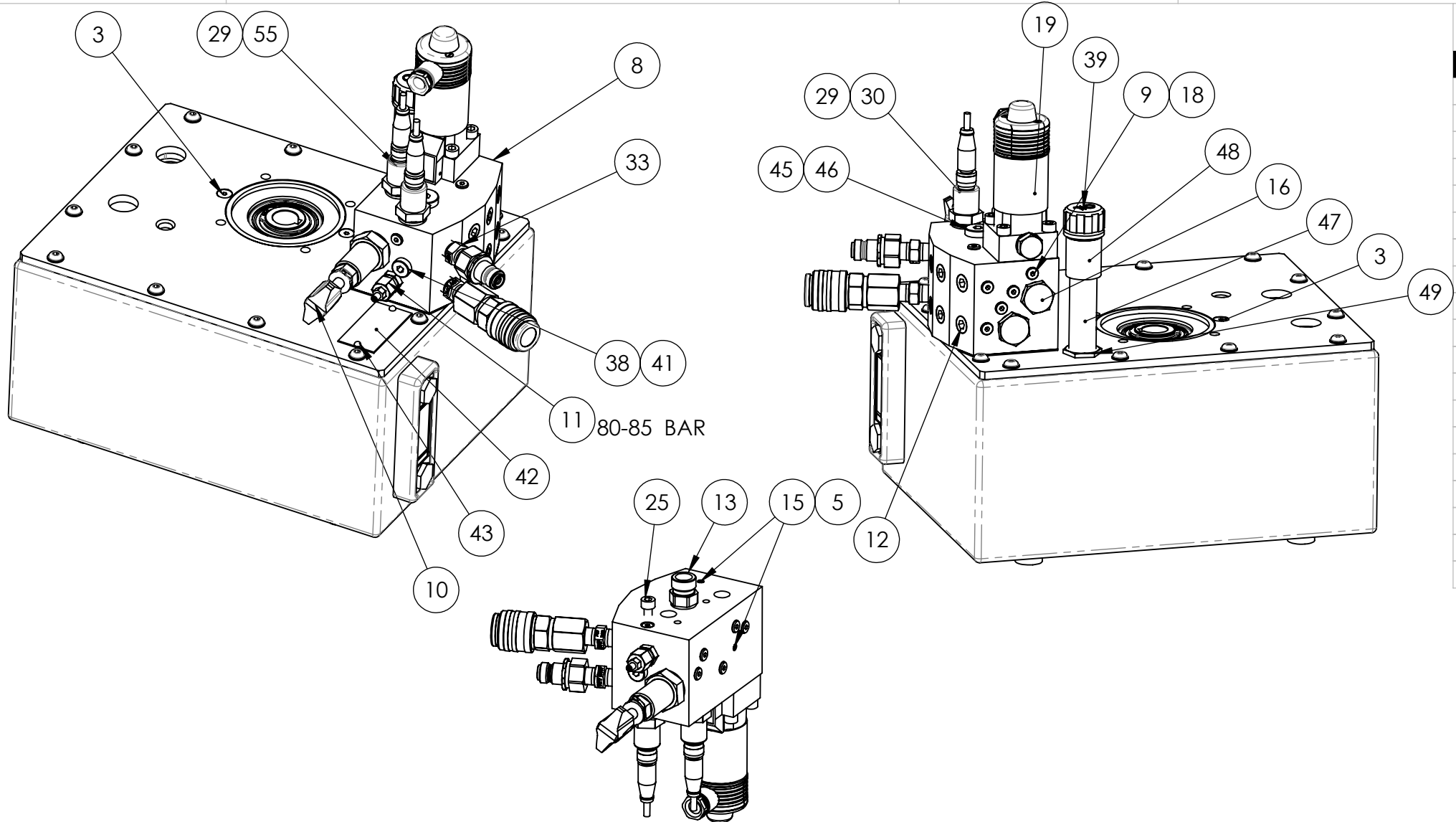
WHEN ORDERING SPARES YOU MUST STATE THE FULL PART NUMBER AND THE PRODUCT SERIAL NUMBER - FROM THE LABEL TO PROTECT YOUR WARRANTY ALWAYS USE GENUINE HI-FORCE PARTS.



PUMP MODEL	MOTOR/CONTROLLER
TPE15A	EMTPE15A
TPE16A	EMTPE16A
TPE25A	EMTPE25A
TPE26A	EMTPE26A
TPE45A	EMTPE45A
TPE46A	

REVISION
1 4504
2
3
4
5
6
7
8
9
10
11
12
13
14
15
16
17
18
19
20

IMPORTANT
WHEN ORDERING SPARES YOU MUST STATE THE FULL PART NUMBER AND THE PRODUCT SERIAL NUMBER - FROM THE LABEL TO PROTECT YOUR WARRANTY ALWAYS USE GENUINE HI-FORCE PARTS.



REVISION

1 4504

2

3

4

5

6

7

8

9

10

11

12

13

14

15

16

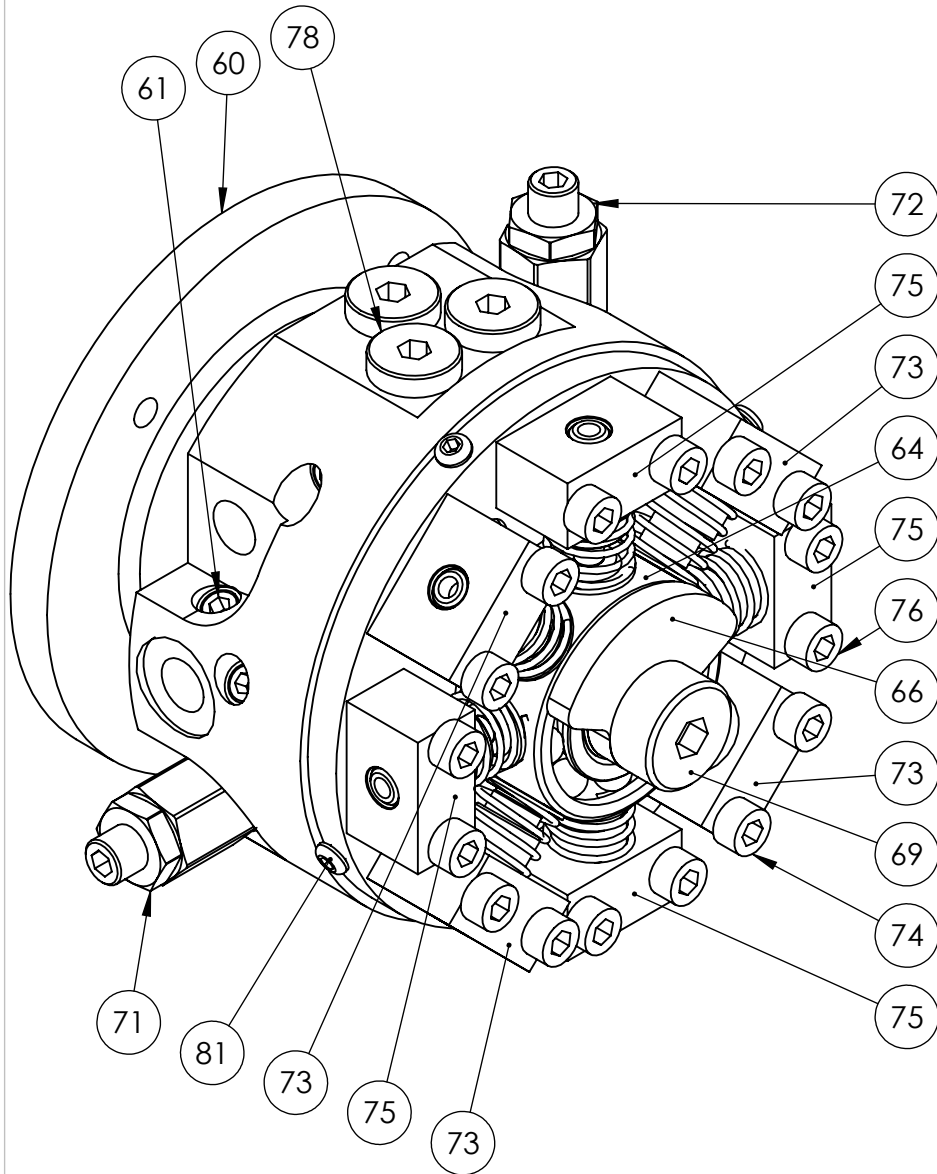
17

18

19

20

IMPORTANT
WHEN ORDERING SPARES YOU MUST STATE THE FULL PART NUMBER AND THE
PRODUCT SERIAL NUMBER - FROM THE LABEL
TO PROTECT YOUR WARRANTY ALWAYS USE GENUINE HI-FORCE PARTS.



ITEM NO.	PART NUMBER	DESCRIPTION	QTY.	REVISION
				1 4504
60	PMC000KM002	PUMP BODY	1	2
61	FPC002PN001	PLUG	11	3
62	PMC019SM001	DRIVE SHAFT	1	4
63	BSC030MC001	DEEP GROOVE BALL BEARING	1	5
64	BSC025ME001	DOUBLE ROW BEARING	1	6
65	BSC025NC001	CYLINDRICAL ROLLER BEARING	1	7
66	PMC019EM001	COUNTERWEIGHT	2	8
67	PMC019RM001	BUSH	1	9
68	PCC002FE001	LOCATING PIN	1	10
69	BLC016NS050	SHOULDER SCREW	1	11
70	VFA006FH001	CHECK VALVE	2	12
71	VRC065UF001	UNLOADING VALVE 65 BAR	1	13
72	VRC320UF001	UNLOADING VALVE 320 BAR	1	14
73	PEA011AA001	LP PISTON BLOCK	4	15
74	BLC006JD035	SOCKET CAP HD SCREW	8	16
75	PEA006AA001	HP PISTON BLOCK	4	17
76	BLC006JD030	SOCKET CAP HD SCREW	8	18
77	STC030CA002	CIRCLIP	1	19
78	FPC006PB002	BLANKING PLUG	3	20
79	FFS124MY001	FILTER WELD ASSEMBLY	1	
80	FFC123EY001	STRAINER	1	
81	BLC004-H008	BUTTON HEAD SCREW	4	

IMPORTANT

WHEN ORDERING SPARES YOU MUST STATE THE FULL PART NUMBER AND THE PRODUCT SERIAL NUMBER - FROM THE LABEL TO PROTECT YOUR WARRANTY ALWAYS USE GENUINE HI-FORCE PARTS.

REVISION

1 4504

2

3

4

5

6

7

8

9

10

11

12

13

14

15

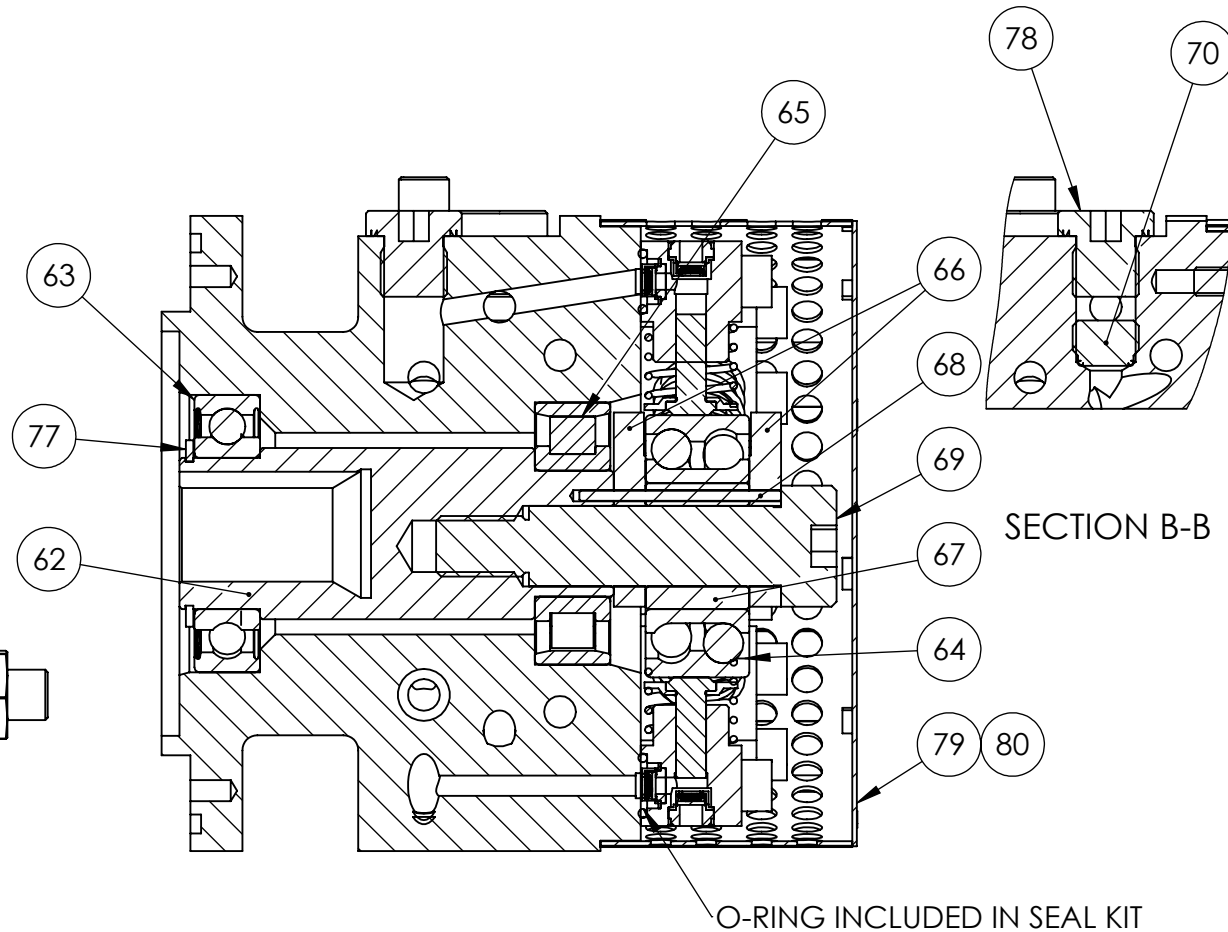
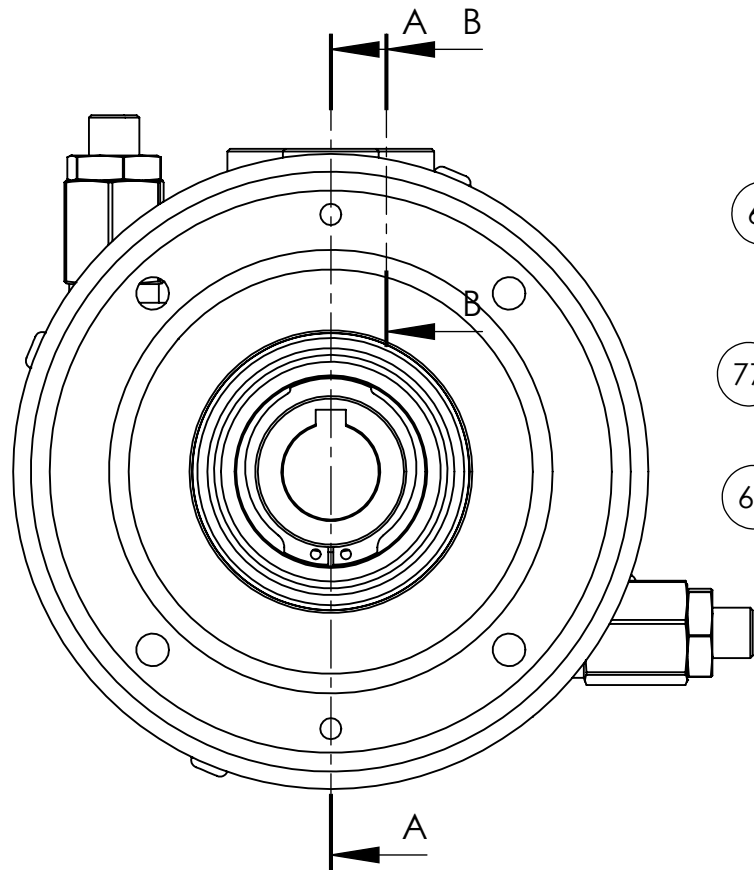
16

17

18

19

20



SECTION A-A

IMPORTANT

WHEN ORDERING SPARES YOU MUST STATE THE FULL PART NUMBER AND THE PRODUCT SERIAL NUMBER - FROM THE LABEL TO PROTECT YOUR WARRANTY ALWAYS USE GENUINE HI-FORCE PARTS.