

Prepared by:-	Malcolm Macfie	Approved by:-	David Brookes	Date:26/11/18
REV NO:-	003			
ECO:-	5349			

1. SCOPE

Hi-Force TPE series electric driven pumps are designed to operate high pressure hydraulic double acting torque wrenches with an operating pressure of 700Bar (10,000 psi).

These instructions cover the following models:

TPE15A - 110 volt supply 50 Hz
TPE16A - 120 volt supply 60 Hz
TPE25A - 230 volt supply 50 Hz
TPE26A - 230 volt supply 60 Hz
TPE45A - 400 volt supply 50 Hz
TPE46A - 480 volt supply 60 Hz

Refer to name plate on the pump for identification.

2. SAFETY

READ ALL OF THIS MANUAL BEFORE OPERATING THE PUMP

**FAILURE TO OBSERVE THE FOLLOWING WARNINGS COULD RESULT
IN SERIOUS BODILY INJURY**

- Ensure that all equipment connected to the pump is in good condition and is all rated for 700 bar operating pressure.
- Always stand the pump on a stable level surface during operation.
- Never invert the pump or lay it on its side either in use, transport or in storage.
- Inspect hoses regularly for damage and wear. Do not use hoses that are frayed, kinked, abraded or leaking.
- Never move the pump or torque wrench by pulling the hoses.
- Do not work with hoses sharply bent or kinked.
- Do not handle hoses that are pressurised. Oil escaping under pressure can penetrate the skin causing serious injury. **DANGER:** If oil is injected under the skin see a doctor immediately.
- Never operate the pump unless both of the hydraulic hoses and the TWS/TWH are connect to the pump.
- Always use eye, ear and hand protective equipment when using this pump and associated equipment.
- Disconnect the pump from the power source when carrying out maintenance or adjustments (except pressure relief valve adjustments).

3. SPECIFICATIONS

The pump is a three speed pump with the following pressure and flow ranges

Pressure range (bar)	Flow on 50 Hz supply (l/min)	Flow on 60 Hz supply (l/min)
0-65	6.5	7.8
65-325	1.5	1.8
325-700	0.75	0.9

Weight	39 kg (including oil)
Useable oil capacity	7 litres
Max sound pressure level	88 dB(A)

Prepared by:-	Malcolm Macfie	Approved by:-	David Brookes	Date:26/11/18
REV NO:-	003			
ECO:-	5349			

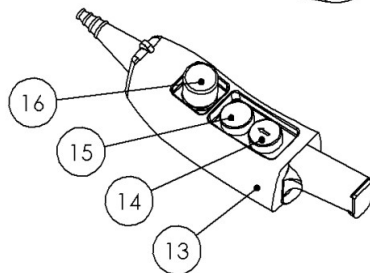
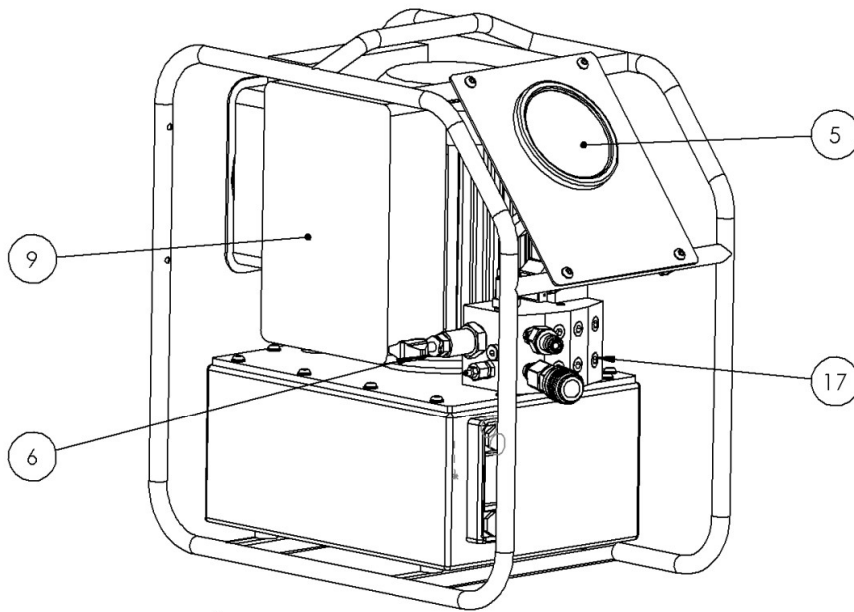
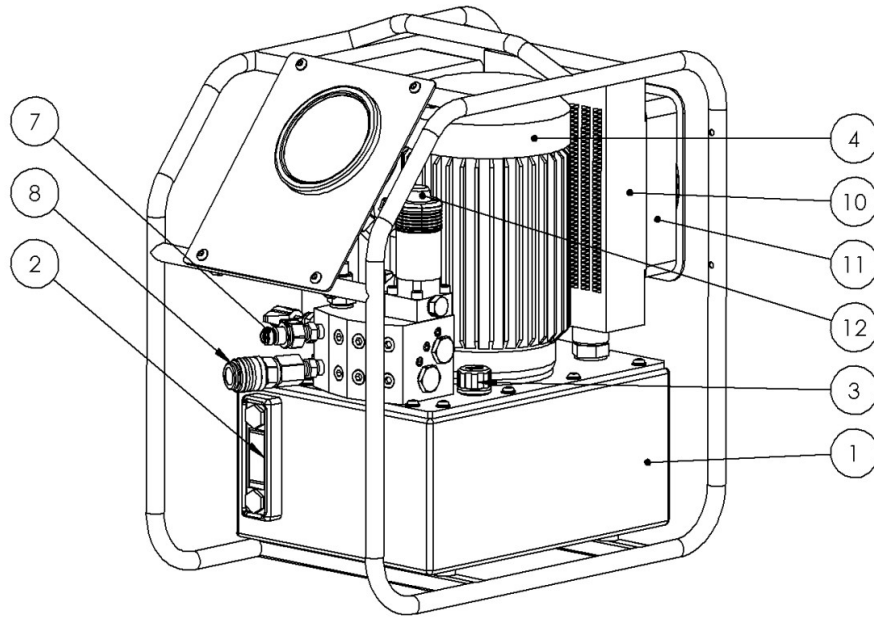
Maximum oil temperature	80 ° C
-------------------------	--------

4. IDENTIFICATION OF COMPONENTS

Refer to diagrams on page 3.

1. Oil reservoir
2. Oil temperature/ level gauge
3. Oil filler/ breather cap
4. Motor
5. Oil pressure gauge
6. Adjustable pressure relief valve with locking wing nut.
7. Tool advance coupler (700Bar maximum)
8. Tool retract coupler (90Bar maximum)
9. Electrical control box
10. Oil cooling heat exchanger
11. Heat exchanger fan.
12. Solenoid valve manual override button
13. Control pendant
14. Advance button
15. Auto cycle button
16. Stop button
17. Additional tool ports fitted with blanking plugs.

Prepared by:-	Malcolm Macfie	Approved by:-	David Brookes	Date:26/11/18
REV NO:-	003			
ECO:-	5349			



Hi-Force HYDRAULIC TOOLS		<u>OPERATING INSTRUCTIONS FOR TPE SERIES ELECTRIC TORQUE PUMPS (ANALOGUE GAUGE)</u>			TDS:- 1396
Prepared by:-	Malcolm Macfie	Approved by:-	David Brookes	Date:26/11/18	
REV NO:-	003				
ECO:-	5349				

5. PREPARATION OF THE PUMP

Immediately after unpacking, examine the pump for signs of transit damage and if found contact the shipping company.

Depending on the shipping method used, the pump may or may not be supplied already filled with oil. Check the oil level using the Temperature/level gauge (2). During transit the Oil filler/breather cap (3) will have been replaced with a black transit plug. This plug must be removed and the orange filler breather (packed separately) fitted. If the pump needs filling with oil proceed as below.

FILLING PUMP WITH OIL

Stand the pump on a level surface and fill the tank with Hi-force HFO46 oil via the filler breather cap (3) until the oil level is at, or up to approximately 10mm above the upper marker as shown on the level gauge.

The pump is self-priming, so is now ready for use.

POWER SUPPLY

Check that the power supply matches the voltage shown on the motor data plate.

N.B. Supply voltages vary from country to country. Hi-Force pumps will operate within normal voltage tolerances, but in extreme cases the motor may overheat. One common cause of failure is the use of long extension cables on the mains supply. The pump should be situated as close as possible to the wall outlet.

6. CONNECTION OF TORQUE WRENCH TO PUMP

Connect the torque wrench to the pump using Hi-Force type HTWH hoses. All Hi-Force torque equipment is fitted with flat face quick release couplers. Ensure both halves of the couplers are clean before connecting. To connect, simply push the male and female halves together. To disconnect, turn the knurled collar in the direction of the arrow and then slide the collar back in the direction of the second arrow. Do not attempt to connect or disconnect while under pressure.

Connect the female coupler on the red hose to the male advance coupler (7). Connect the male end of the black hose to the female tool retract coupler (8). Connect the other ends of the hoses to the torque wrench. N.B. If using torque wrenches other than Hi-Force or wrenches and hoses that have been modified, check that the wrench is connected correctly so that the male high pressure pump coupler (7) is connected to the advance port on the tool. Failure to do this may result in leakage, tool damage or personal injury.

Caution: Refer also to torque wrench operating instructions for detailed information on the correct operation of these tools.

Hi-Force HYDRAULIC TOOLS		<u>OPERATING INSTRUCTIONS FOR TPE SERIES ELECTRIC TORQUE PUMPS (ANALOGUE GAUGE)</u>			TDS:- 1396
Prepared by:-	Malcolm Macfie	Approved by:-	David Brookes	Date:26/11/18	
REV NO:-	003				
ECO:-	5349				

7. OPERATION

PENDANT BUTTON FUNCTIONS

The control pendant (13) has three buttons which perform all functions of the torque pump.

The advance button (14) is a dual function button. Pressing and releasing the button once will start the pump and set the pump to the torque wrench retract mode. Pressing the button a second time makes the torque wrench advance. The pump will continue in this mode until the button is released. The torque wrench will then automatically retract

The Auto Cycle button (15) will switch the pump to auto mode. To prevent accidental operation the button must be pressed for a period of 3 seconds in order to switch to auto cycle mode. The torque wrench will then advance and retract automatically until the auto cycle button is pressed again to put the pump back into manual mode. Note that the tool will retract fully before it stops. Pressing the stop button in auto cycle mode will stop the pump immediately.

The stop button (16) stops the pump motor and will not allow the pump to start again until the button is twisted to release it. It does not however remove power completely from the electrical control box.

AIR REMOVAL FROM HOSES.

Hi-Force hoses are supplied pre-filled with oil, but never assume that there are no air pockets in a hose. Air will make the operation of a torque wrench erratic. Due to the superior quick connect couplings on Hi-Force torque wrenches, very little air is admitted to the system when connecting and disconnecting hoses but for best performance always carry out the following operation, when interchanging hoses or torque wrenches.

Connect the pump to an electrical supply.

Twist Stop button (16) clockwise to ensure it is released.

Press and release the advance button (14) on the pendant (13) and the pump will start.

Warning: The torque wrench connected to the pump will usually retract at this stage. Keep fingers clear. If the tool advances then it is incorrectly connected. This must be investigated and corrected before proceeding.

Check the pressure gauge reading. This should be in the range 80-90 bar. If it is not, slacken the locking wing nut on the pressure relief valve (6) and turn the knob clockwise until the gauge registers 80-90 bar. N.B it will not be possible to increase the pressure significantly above this value. This is the torque wrench maximum retract pressure and is limited by a separate pressure relief valve. The torque wrench should now be fully retracted.

Press and hold the advance button on the control pendant. The torque wrench should advance until it reaches the end of its stroke and then the pressure will start to build up. **Caution**, if the tool does not advance and pressure is registering on the pressure gauge (5), the hoses may not be fully connected or the tool may be faulty.

Hi-Force HYDRAULIC TOOLS		<u>OPERATING INSTRUCTIONS FOR TPE SERIES ELECTRIC TORQUE PUMPS (ANALOGUE GAUGE)</u>			TDS:- 1396
Prepared by:-	Malcolm Macfie	Approved by:-	David Brookes	Date:26/11/18	
REV NO:-	003				
ECO:-	5349				

Release the advance button and the tool will retract, when the tool is fully retracted pressure will register 80-90 bar once more.

Repeat this advance and retract cycle a few times to purge air from the hoses and tool.

Press stop button 16 to stop the pump.

NB if long hoses are employed (greater than 5 m) then this method will not be totally effective at removing air. Refer to section on pre-filling long hoses.

SETTING THE TORQUE WRENCH PRESSURE

Refer to torque wrench operating instructions for the pressure setting to achieve the desired torque value. This pressure will vary depending on which torque wrench is being used.

Caution: Carry out this pressure adjustment before fitting the wrench onto a bolt or nut.

Twist Stop button (16) clockwise to release it.

Press and release advance button (14) to start pump.

Press and hold the advance button again and allow the torque wrench to fully advance. Keeping the button held down adjust the pressure relief valve (6) by turning the knob clockwise to increase pressure and anticlockwise to reduce pressure. Verify the pressure setting several times by releasing the start/advance button and re-pressing. The pressure setting can be locked at the desired value by tightening the wing nut under the adjusting knob clockwise. Do not use tools for this.

To stop the pump, press the red button (16) on the pendant.

The pump is now ready for use.

METHOD OF USE.

Refer also to torque wrench operating instructions and bolt torque data.

WARNING: It is strongly recommended that operation of the pump and torque wrench is carried out by a single person. This will reduce the possibility of finger trapping accidents due to the wrench being operated while it is still being positioned on the nut or bolt. Where this is not possible due to the relative positions of the pump and the wrench then a clear system of communication needs to be established between users.

The pump should be used initially in manual mode until safe reaction points are established, and then it can be switched to auto cycle mode if desired.

8. ADDITIONAL OPERATION HINTS.

OIL TEMPERATURE CONTROL

The pump is fitted with a heat exchanger(10). Oil is circulated through the heat exchanger to restrict temperature rise, while the pump is operating at pressures above 65 bar. A temperature sensor in the oil reservoir switches the cooling fan on when the temperature rises above 45° C

Hi-Force HYDRAULIC TOOLS		<u>OPERATING INSTRUCTIONS FOR TPE SERIES ELECTRIC TORQUE PUMPS (ANALOGUE GAUGE)</u>			TDS:- 1396
Prepared by:-	Malcolm Macfie	Approved by:-	David Brookes	Date:26/11/18	
REV NO:-	003				
ECO:-	5349				

to further assist cooling. The fan will switch off as the oil temperature falls back below 40°C. As a further safeguard, the pump will switch off completely when the temperature rises above 80° C. It will not be possible to re-start it until the temperature falls below 80°C. Note, that when the pump is stopped, the fan may keep on running until the oil cools to acceptable limits.

AUTO PRESSURE DUMP FEATURE.

Always stop the pump by pressing the stop button (16) before connection or disconnection of hoses. Attempting to disconnect hoses while the pump is running is difficult and can cause leakage or injury. As the pump stops, the solenoid valve is operated briefly to release pressure trapped in the system, thereby making disconnection easier.

In the event of a power failure, this feature will not function. The manual override button on the top of the valve (12) can be pressed briefly to dump trapped in oil and allow easy hose disconnection.

CONNECTION OF ADDITIONAL TORQUE WRENCHES

The pump has the facility to drive up to 4 torque wrenches simultaneously. These will all operate at the same pressure. This feature can be useful for even tightening of large joints. However it must be borne in mind that multiple torque wrenches will operate more slowly than a single wrench, so it is not necessarily a time saving method. To use this feature, switch off the pump and disconnect from the mains. Remove blanking plugs (17) and fit the desired number of extra pairs of couplers. It is important to fit the male coupler to the top port and the female coupler to the bottom port to ensure correct torque wrench connection. Thread size in the ports is ¼” NPT. Suitable thread sealant or PTFE tampe must be used on the thread.

Hi-Force can supply torque coupler sets as follows:

- TP-CS1 : torque coupler set to convert TPE pump from one outlet to two outlets
- TP-CS2 : torque coupler set to convert TPE pump from one outlet to three outlets
- TP-CS3 : torque coupler set to convert TPE pump from one outlet to four outlets

9. MAINTENANCE

The oil level in the reservoir should not be allowed to fall below the lower marker on the level indicator (2) during use. (check oil level with torque wrench in advance position.) Keep the reservoir topped up with Hi-Force HFO46 oil. If the oil level does fall below the minimum level then air will be drawn into the pump causing erratic operation and possible damage.

Oil should be replaced after approximately 500 working hours, or more frequently in dusty conditions. To replace the oil, disconnect from electrical supply, remove the filler breather cap (3) and tip used oil out of tank. Dispose of oil in a responsible manner. Refill with Hi-Force HFO46 oil.

Regularly inspect the electrical cables for damage. If any damage is evident, these must be replaced by a Hi-Force authorised repair centre or by a competent electrician.

Pressure gauge should be calibrated at least every 12 months.

Prepared by:-	Malcolm Macfie	Approved by:-	David Brookes	Date:26/11/18
REV NO:-	003			
ECO:-	5349			

10. TROUBLE SHOOTING

These pumps should be repaired only by authorised Hi-Force repair centres. The following table gives possible causes and remedies for common problems.

PROBLEM	POSSIBLE CAUSE
Tool advances with no pendant buttons pressed.	Tool incorrectly connected. Swap hose connections at tool.
Tool will only reach 80-90 Bar in advance mode, but higher in retract mode.	Tool incorrectly connected. Swap hose connections at tool.
Motor stalls before 700Bar is reached.	Low supply voltage. – check voltage.
Motor stops working after prolonged use	Oil overheated - allow to cool.
Motor will not start	Supply failure – check electrical supply. Electrical control failure - have the electrical system checked by suitably qualified technician.
Pump will not build up or maintain pressure.	Leakage from pump or valve components – have the pump inspected by a Hi-Force repair centre
Slow torque wrench operation	Leaking seals in torque wrench. Worn piston block elements, leaking relief valve, leaking unloading valve, worn directional valve – have the pump inspected by a Hi-Force repair centre.

11. FILLING OF LONG HOSES BEFORE USE.

When long hoses are being used, it is difficult to remove all air in the hose simply by cycling the torque wrench back and forth as described in section 4. A quicker and more effective method is as follows. Connect the female end of one hose to the male coupler on the pump and connect the other end of the same hose to the remaining coupler of the pump. Switch the pump on and allow to run for a few seconds. Switch off and repeat the process with the other hose. After doing this remember to check the oil level in the reservoir.

Prepared by:-	Malcolm Macfie	Approved by:-	David Brookes	Date:26/11/18
REV NO:-	003			
ECO:-	5349			

12. PRESSURE CONVERSION CHART

BAR	PSI	kgf/cm ²	BAR	PSI	kgf/cm ²
10	145	10.2	360	5221	367.2
20	290	20.4	370	5366	377.4
30	435	30.6	380	5512	387.6
40	580	40.8	390	5657	397.8
50	725	51	400	5802	408
60	870	61.2	410	5947	418.2
70	1015	71.4	420	6092	428.4
80	1160	81.6	430	6237	438.6
90	1305	91.8	440	6382	448.8
100	1450	102	450	6527	459
110	1595	112.2	460	6672	469.2
120	1740	122.4	470	6817	479.4
130	1886	132.6	480	6962	489.6
140	2031	142.8	490	7107	499.8
150	2176	153	500	7252	510
160	2321	163.2	510	7397	520.2
170	2466	173.4	520	7542	530.4
180	2611	183.6	530	7687	540.6
190	2756	193.8	540	7832	550.8
200	2901	204	550	7977	561
210	3046	214.2	560	8122	571.2
220	3191	224.4	570	8267	581.4
230	3336	234.6	580	8412	591.6
240	3481	244.8	590	8557	601.8
250	3626	255	600	8702	612
260	3771	265.2	610	8847	622.2
270	3916	275.4	620	8992	632.4
280	4061	285.6	630	9138	642.6
290	4206	295.8	640	9283	652.8
300	4351	306	650	9428	663
310	4496	316.2	660	9573	673.2
320	4641	326.4	670	9718	683.4
330	4786	336.6	680	9863	693.6
340	4931	346.8	690	10008	703.8
350	5076	357	700	10153	714

Hi-Force® HYDRAULIC TOOLS		<u>OPERATING INSTRUCTIONS FOR TPE SERIES</u> <u>ELECTRIC TORQUE PUMPS (ANALOGUE GAUGE)</u>			TDS:- 1396
Prepared by:-	Malcolm Macfie	Approved by:-	David Brookes	Date:26/11/18	
REV NO:-	003				
ECO:-	5349				

Declaration of Conformity:

English

The Manufacturer: Hi-Force Limited
Prospect **Way-Daventry-Northamptonshire NN11 8PL**
United Kingdom

Declare that: In accordance with 2006/42/EC – The Machine Directive:
Conform where applicable to the regulations of the following harmonised standards;
-EN ISO 12100:2010
-EN 4413: 2012

It is also declared that the relevant technical documentation has been drafted in accordance with annex VII B and it is agreed that, in response to an adequately justified request from the national authorities, all relevant information regarding the partly completed machines concerned will be passed on to them. The manufacturer also declares that the person authorised to pass on the relevant technical documentation is:

Mr. M. Dalley – Engineering Manager.

Important Note: The above machines, although complete in themselves can be incorporated into other systems and components and must not be put into operation until the final machines they are to be incorporated into have been declared as conforming to all the regulations of the above directive 2006/42/EC on the Safety of Machinery.

German

Der Hersteller: **Hi-Force Limited**
Prospect Way-Daventry-Northamptonshire NN11 8PL
United Kingdom

Erklärt dass: In Übereinstimmung mit der Maschinenrichtlinie 2006/42/EC:
Entsprechend die Regularien der harmonisierten Normen angewendet werden:
-EN ISO 12100:2010
-EN 4413: 2012

Die speziellen technischen Unterlagen gemäß Anhang VII Teil B wurden erstellt. Der Bevollmächtigte für das Zusammenstellen der technischen Unterlagen verpflichtet sich, die Unterlagen auf begründetes Verlangen an die einzelstaatlichen Stellen zu übermitteln. Für die Zusammenstellung der technischen Unterlagen ist bevollmächtigt:

Mr. M. Dalley – Engineering Manager

Die Inbetriebnahme des Produkts ist so lange untersagt, bis festgestellt wurde, dass die Maschine, in die das oben genannte Produkt eingebaut wird, allen grundlegenden Anforderungen der Maschinenrichtlinie entspricht.

Das oben genannte Produkt erfüllt die Anforderungen der folgenden einschlägigen Richtlinien:

French

Le fabricant: **Hi-Force Limited**
Prospect Way, Daventry (Northamptonshire) NN11 8PL
Royaume-Uni

Conformément à la Directive 2006/42/EC relative aux machines, déclare.
Se conformer aux réglementations des normes harmonisées suivantes, si applicables :
-EN ISO 12100:2010
-EN 4413: 2012

Nous déclarons en outre que la documentation technique correspondante a été rédigée conformément à l'annexe VII partie B, et toutes les informations relatives aux machines complètes et/ou parties des machines pourront être fournies sur demande motivée des autorités nationales compétentes. Le fabricant déclare par ailleurs que la personne autorisée en charge de fournir la fiche technique est :

M. M. Dalley – Directeur technique.


DÉCLARATION DE CONFORMITÉ : Note importante : les machines susnommées, bien que pouvant être utilisées seules, peuvent aussi être incorporées à d'autres systèmes et composants ; le cas échéant elles ne doivent pas être mises en service avant que les machines finales soient déclarées conformes à la directive 2006/42/EC sur la sécurité des machines.

Netherlands

De fabricant: **Hi-Force Limited**
Prospect Way - Daventry - Northamptonshire NN11 8PL
Engeland – Verenigd Koninkrijk

Verklaren dat: In overeenstemming met De Machinerichtlijn 2006/42/EG :
Overeenstemmen met de voorschriften van de volgende geharmoniseerde normen (indien van toepassing)
-EN ISO 12100:2010
-EN 4413: 2012

Tevens verklaren wij dat de relevante technische documentatie is opgesteld overeenkomstig bijlage VII B en dat, in reactie op een voldoende gemotiveerd verzoek van de nationale autoriteiten, alle relevante informatie met betrekking tot de betreffende

		<u>OPERATING INSTRUCTIONS FOR TPE SERIES ELECTRIC TORQUE PUMPS (ANALOGUE GAUGE)</u>		TDS:- 1396
Prepared by:-	Malcolm Macfie	Approved by:-	David Brookes	Date:26/11/18
REV NO:-	003			
ECO:-	5349			

gedeeltelijk en / of complete machines verstrekt zullen worden. De fabrikant verklaart tevens dat de volgende persoon gemachtigd is om te de relevante technische documentatie te verstrekken:

Dhr. M. Dalley - Engineering Manager

VERKLARING VAN OVEREENSTEMMING: Belangrijke opmerking: De bovenstaande machines, hoewel op zichzelf volledig, kunnen in andere systemen en componenten kunnen worden opgenomen in welk geval deze complete machine / installatie niet in werking genomen mag worden, totdat de volledige machine / installatie waarin bovenstaande producten worden opgenomen, voldoet aan alle veiligheidsvoorschriften van de bovengenoemde Richtlijn 2006/42/EG.

Italian

Il Produttore: **Hi-Force Limited**

Prospect Way-Daventry-Northamptonshire NN11 8PL

United Kingdom

Dichiara che: In conformità con 2006/42 / CE - Direttiva Macchine:

Otterpera, laddove applicabile, alle disposizioni delle seguenti norme armonizzate;

-EN ISO 12100:2010

-EN 4413: 2012

Si attesta, inoltre, che la

Documentazione tecnica

Pertinente è stata redatta in conformità dell'allegato VII B e si è convenuto che, in risposta a una richiesta adeguatamente giustificata da parte delle autorità nazionali, per quanto riguarda la quasi-macchina e / o la macchina completa interessata verranno loro trasmesse tutte le informazioni utili. Il produttore dichiara, inoltre, che la persona autorizzata a trasmettere la documentazione tecnica pertinente è:

Mr. M. Dalley – Engineering Manager.

DICHIARAZIONE DI CONFORMITA': Nota importante: Le macchine di cui sopra, anche se di per sé complete, possono essere incorporate in altri sistemi e componenti e non devono essere messe in funzione fino a quando le macchine finali in cui devono essere incorporate siano state dichiarate conformi a tutte le normative della Direttiva 2006/42 / CE sulla Sicurezza Macchine sopra indicata.

Spain

El Fabricante: **Hi-Force Limited**

Prospect Way-Daventry-Northamptonshire NN11 8PL

United Kingdom

Declara que: En conformidad con la Directiva de Máquinas 2006/42/EC:

Cumplen cuanto aplica de las siguientes Normas Armonizadas aplicadas:

-EN ISO 12100:2010

-EN 4413: 2012

También se declara que la pertinente documentación técnica ha sido redactada de acuerdo al anexo VII B, y se ha convenido en respuesta a una solicitud debidamente justificada de las autoridades nacionales, que toda la información correspondiente relativa a la cuasi máquina y/o a la máquina completa será pasada a ellos. El fabricante también declara que la persona autorizada para transmitir la documentación técnica correspondiente es:

Sr. M. Dalley – Director de Ingeniería

DECLARACIÓN DE CONFORMIDAD: Nota Importante: Las máquinas anteriormente citadas, aunque completas en sí mismas, pueden ser incorporadas en otros sistemas y componentes y no deben ser puestas en funcionamiento hasta que, las máquinas finales en las que hayan sido incorporadas hayan recibido declaración de conformidad con todas las normas de la directiva arriba indicada 2006/42/CE relativa a la seguridad de las máquinas.

Portugal

O fabricante: **Hi-Force Limited**

Prospect Way-Daventry-Northamptonshire NN11 8PL

Reino Unido

Declara que: de acordo com a Directiva 2006/42/CE relativa às máquinas:

Conforme aquando aplicável às regulações das seguintes normas harmonizadas;

-EN ISO 12100:2010

-EN 4413: 2012

Declara-se que a relevante documentação técnica foi redigida em conformidade com o anexo VII B e foi acordado que, em resposta a uma solicitação justificada adequadamente pelas autoridades nacionais, toda a relevante informação respetiva a partes das máquinas e/ou a máquinas completas correspondentes será transmitida às mesmas. O fabricante declara também que a pessoa autorizada a transmitir a documentação técnica relevante é:

Sr. M. Dalley – Engenheiro Responsável

DECLARAÇÃO DE CONFORMIDADE: nota importante: mesmo que as máquinas constituam uma componente própria supramencionada, estas podem ser incorporadas em outros sistemas e componentes e não devem ser colocadas em funcionamento antes que as máquinas finais, nas quais as mesmas serão incorporadas, tenham sido declaradas em conformidade com todos os regulamentos da Directiva 2006/42/CE relativa à segurança das máquinas.

Hi-Force HYDRAULIC TOOLS		OPERATING INSTRUCTIONS FOR TPE SERIES ELECTRIC TORQUE PUMPS (ANALOGUE GAUGE)		TDS:- 1396
Prepared by:-	Malcolm Macfie	Approved by:-	David Brookes	Date:26/11/18
REV NO:-	003			
ECO:-	5349			

Russia

Производитель: **Hi-Force Limited**

Адрес: **Prospect Way-Daventry-Northamptonshire NN11 8PL**

Великобритания

Заявляется следующее: в соответствии с Директивой 2006/42/ЕС о безопасности машин и оборудования:

Соответствие по необходимости положениям следующих согласованных стандартов:

-EN ISO 12100:2010

-EN 4413: 2012

Также заявляется, что соответствующая техническая документация была составлена в соответствии с Приложением VII B, а также согласовано, что в ответ на обоснованный запрос о предоставлении информации со стороны федеральных регулирующих органов, такая информация относительно машин, изготовленных частично и/или полностью, фигурирующих в запросе, будет передана. Производитель также заявляет, что лицом, уполномоченным осуществить передачу документации, назначен:

Руководитель отдела проектирования, г-н M. Dalley

ДЕКЛАРАЦИЯ О СООТВЕТСТВИИ: Важное примечание: Вышеуказанные полностью укомплектованные механизмы могут быть внедрены в другие системы и компоненты, и не допускаются к эксплуатации до момента согласования окончательно укомплектованных механизмов на предмет

полного соответствия положениям вышеуказанной директивы 2006/42/ЕС о безопасности машин и оборудования

Sweden.

Tillverkaren: **Hi-Force Limited**

Prospect Way-Daventry-Northampton NN11 8PL

United Kingdom

Fastställande att: I enlighet med 2006/42 / EG - maskindirektivet:

Bekräftar i förekommande fall till bestämmelserna av följande harmoniserade standarder:

-EN ISO 12100:2010

-EN 4413: 2012

Det är också förklarande att relevant teknisk dokumentation har upprättats i enlighet med bilaga VII B och är överensstämmande som svar på en tillräckligt motiverad begäran från de nationella myndigheterna och att all relevant information om den delvis, berörda och / eller genomförda maskiner kommer föras vidare till dem. Tillverkaren försäkrar också att den person som är behörig att vidarebefodra den relevanta tekniska dokumentationen är:

Mr M. Dalley - Engineering Manager.

Försäkran om överensstämmelse: Viktigt: Ovanstående maskiner, även om fullständig i sig kan införlivas i andra system och komponenter får inte tas i bruk förrän de sista maskinerna har införlivats och har förklarats som uppfyller alla förordningar ovan nämnda direktiv 2006/42 / EG om säkerheten av maskiner.

Denmark

The Manufacturer: **Hi-Force Ltd**

Prospect Way-Daventry-Northamptonshire NN11 8PL

United Kingdom

I overensstemmelse med Maskindirektivet 2006/42/EF bilag. II. B

Følgende harmoniserede standarder er anvendt.

-EN ISO 12100:2010

-EN 4413: 2012

Maskinen opfylder de grundlæggende sundhedsmæssige og sikkerhedsmæssige krav med hensyn til design og udformning i overensstemmelse med bilag. 1.

Den relevante tekniske dokumentation er udarbejdet i overensstemmelse med bilag. VII. B, og denne dokumentation eller dele heraf kan sendes elektronisk, hvis de nationale myndigheder kræver det.

Denne person, der er autoriseret til at udfylde den relevante tekniske dokumentation

Mr. M. Dalley – Engineering Manager.

Overensstemmelseserklæring: Denne maskine, selvom den er færdiggjort, må ikke anvendes, før den endelige maskine, som den skal indbygges i, er erklæret i overensstemmelse med dette direktiv 2006/42/EF, maskinsikkerhed.

Finland

Valmistaja: **Hi-Force Limited**

Prospect Way-Daventry-Northamptonshire NN11 8PL

United Kingdom

EY-vaatimuksen mukaisuusvakuutus kone-direktiivin 2006/42/EC mukaan:

On käytetty soveltuvin osin seuraavia harmonisoituja standardeja:

Hi-Force HYDRAULIC TOOLS		OPERATING INSTRUCTIONS FOR TPE SERIES ELECTRIC TORQUE PUMPS (ANALOGUE GAUGE)			TDS:- 1396
Prepared by:-	Malcolm Macfie		Approved by:-	David Brookes	
REV NO:-	003				
ECO:-	5349				

-EN ISO 12100:2010

-EN 4413: 2012

Tuotteeseen liittyvät tekniset asiakirjat on laadittu liitteen VII B mukaisesti ja kansallisten viranomaisten perustettujen pyyntöjen mukaan toimitetaan tarvittavat asiakirjat koneista ja niiden osista. Valmistajan puolelta näiden tietojen antamiseen on valtuutettu: Mr. M. Dalley- tekninen johtaja

VAATIMUKSEN MUKAISUUSVAKUUTUS : Tärkeä huomautus: Yllä olevat koneet, vaikka ovat itsellisesti toimintakelpoisia ja voidaan sisällyttää muihin koneisiin ei saa ottaa käyttöön ennen kuin lopullinen kone johon ne on sisällytetty on todettu täyttävän Konedirektiivin 2006/42/EC vaatimukset

Norway

Produsent: **Hi-Force Limited**

Prospect Way-Daventry-Northamptonshire NN11 8PL

United Kingdom

Erklærer herved: I overensstemmelse med 2006/42/EC–Maskin Direktivet:

Samsvarer i henhold til gjeldende forskrifter av følgende harmoniserte standarder:

-EN ISO 12100:2010

-EN 4413: 2012

Det erklæres også at all relevant teknisk dokumentasjon har blitt utarbeidet i henhold til Annex VII B og det er enighet om, som svar til en tilstrekkelig begrunnet forespørsel fra de Nasjonale myndigheter, at all relevant informasjon angående maskiner, komplette og/eller i deler, vil bli viderefremidlet til dem. Produsenten erklærer også at personen med autorisasjon som skal viderefremidle relevant teknisk dokumentasjon er:

Mr. M. Dalley – Engineering Manager

SAMSVARERKLÆRING: Viktig melding: Ovennevnte maskiner som er komplette kan også brukes som en del av et større system og må derfor ikke settes i operasjon før hele systemet samsvarer med reguleringene i Maskin Direktivet 2006/42/EC i forhold til sikker bruk.

Poland

Producent: **Hi-Force Limited**

Prospect Way-Daventry-Northamptonshire NN11 8PL

United Kingdom

Oświadczam, że: zgodnie z 2006/42/WE – Dyrektywą Maszynową:

W stosownych przypadkach zgodnie z przepisami następujących norm zharmonizowanych;

-EN ISO 12100:2010

-EN 4413: 2012

Oświadczam, że odpowiednia dokumentacja techniczna została sporządzona zgodnie z załącznikiem VII B i zostało uzgodnione, że w odpowiedzi na odpowiednio uzasadniony wniosek władz krajowych, wszystkie istotne informacje dotyczące części i / lub całości danej maszyny będą przekazywane do nich. Producent deklaruje również, że osobą upoważnioną do przekazywania odpowiedniej dokumentacji technicznej jest:

Pan M. Dalley – Główny Inżynier

DEKLARACJA ZGODNOŚCI: Ważna uwaga: Powyższe maszyny, choć kompletne same w sobie mogą być włączone do innych systemów i komponentów nie mogą jednak zostać oddane do użytku do czasu, aż ostateczne urządzenie do którego są włączone nie zostanie uznane za zgodne ze wszystkimi przepisami powyższej dyrektywy 2006 /42/WE w sprawie Bezpieczeństwa Maszyn.

Turkey

Üretici: **Hi-Force Limited**

Prospect Way – Daventry- Northamptonshire NN11 8PL

United Kingdom

Beyan: 2006/42/EC – Makine Direktifine uygun olarak

Aşağıdaki uyumlaştırılmış standartların düzenlemesine uygulanabilir olduğunu onaylar.

-EN ISO 12100:2010

-EN 4413: 2012

Ayrıca ek VII B'ye uygun olarak konu ile ilgili teknik belgenin planlandığını beyan eder ve milli yetkililerden yeterince haklı isteğe karşılık kısmen ve / ya da tamamlanmış ilgili makineler hakkında konu ile ilgili tüm bilgilerin onların üzerine geçirileceği kabul edilir.

Üretici ayrıca yetkili kişinin ilgili teknik belgeyi üzerine geçireceğini beyan eder.

M.Dalley – Mühendislik Müdürü

Uygunluk Beyanı: Önemli Not: Tamamen diğer sistemlerle ve bileşenlerle birleştirilmesine rağmen yukarıdaki makineler, Makine Güvenliği hakkında 2006/42/EC yukarıdaki direktifin tüm düzenlemesini teyit ederek birleştirilecek son makineler beyan edilene kadar işleme alınmamalıdır.

Prepared by:-	Malcolm Macfie	Approved by:-	David Brookes	Date:26/11/18
REV NO:-	003			
ECO:-	5349			

UK Head Office:

Hi-Force Limited
Prospect Way, Daventry, Northamptonshire
NN11 8PL
United Kingdom

Tel: + 44 1327 301000
Fax: + 44 1327 706555
Email: Daventry@hi-force.com

Hi-Force Regional Offices:

Hi-Force Caspian Baku Azerbaijan Tel: + 994 12 447 4100 Tel: baku@hi-force.com	Hi-Force S.r.l. Milan Italy Tel: + 39 0253 031 088 Email: Italy@hi-force.com
Hi-Force Hydraulics (Asia) S.B Selangor Malaysia Tel: + 603 5525 4203 Email: Malaysia@hi-force.com	Hi-Force Nederland By Numansdorp Netherlands Tel: + 31 85 902 8111 Email: Holland@hi-force.com
Hi-Force Hydraulics (Pty) Ltd Midrand South Africa Tel: + 27 11 314 0555 Email: south.africa@hi-force.com	Hi-Force Saudi Dammam Kingdom of Saudi Arabia Tel: + 966 13 802 1338 Email: Saudi@hi-force.com
Hi-Force Hydraulics Abu Dhabi United Arab Emirates Tel: + 971 2 551 3100 Email: abu.dhabi@hi-force.com	Hi-Force FZCO Dubai United Arab Emirates Tel: + 971 4 815 0600 Email: dubai@hi-force.com

GLOBAL BRAND. LOCAL SERVICE.**www.hi-force.com**