

# NKX 25 ZCombined needle roller / thrust ball bearing with a cover



## Combined needle roller / thrust ball bearing with a cover

These bearings consist of a radial needle roller bearing combined with a thrust ball bearing. Together they can accommodate both radial loads and axial loads in one direction. In addition, they can operate at relatively high speeds. Their low cross-sectional height makes the bearings particularly suitable for applications where other types of locating bearing arrangements occupy too much space. The thrust part is capped with a cover that forms a gap-type seal to retain the grease in the bearings.

- Accommodate radial and axial loads in one direction
- High load carrying capacity
- Relatively high-speed capability
- Low cross section
- Non-separable design

## Overview

### Dimensions

Bore diameter	25 mm
Outside diameter	37 mm
Width	30 mm

## Performance

Reference speed	6 300 r/min
Limiting speed	5 500 r/min

## Properties

Rolling bearing type	Needle roller / thrust ball bearing
Bearing part	Radial part without inner ring
Thrust part	With cage
Radial part	With cage
Rolling element (thrust part)	Balls
Axial load capability	Single-direction

Tolerance class	Other
Material, bearing	Bearing steel
Coating	Without
Special feature	Thrust part with stamped steel cover without lubrication holes
Lubricant (thrust part)	Grease

# Technical Specification

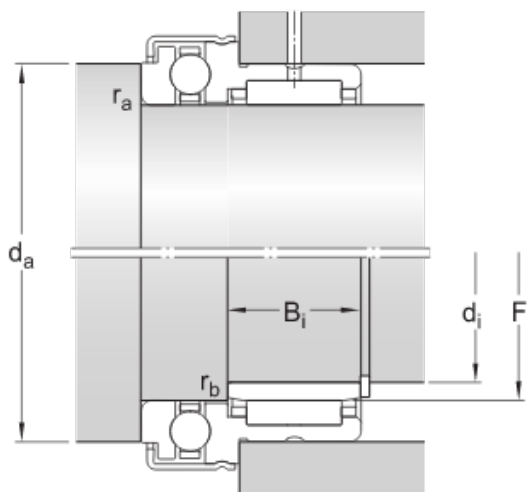


## Dimensions

$F_w$	25 mm	Diameter under rollers
$D$	37 mm	Outside diameter
$C$	30 mm	Width
$C_1$	11 mm	Width of thrust part
$C_1$	9.5 mm	Distance side face to lubrication hole
$d$	25 mm	Bore diameter of thrust part
$D_2$	43.2 mm	Diameter of stamped steel cover
$r_{1,2}$	min. 0.6 mm	Chamfer dimension

## Abutment dimensions

$d_a$	min. 37.7 mm	Diameter of shaft abutment
$r_a$	max. 0.6 mm	Radius of fillet
$r_b$	max. 0.3 mm	Radius of fillet
$d_i$	20 mm	Bore diameter of associated inner ring
$F$	25 mm	Diameter of inner ring raceway
$B_i$	20 mm	Width of associated inner ring



## Calculation data

Basic dynamic load rating, radial	$C$	19 kN
Basic static load rating, radial	$C_0$	32.5 kN
Basic dynamic load rating, axial	$C$	19.5 kN
Basic static load rating, axial	$C_0$	40.5 kN
Fatigue load limit, radial	$P_u$	4 kN
Fatigue load limit, axial	$P_u$	1.5 kN
Minimum axial load factor	$A$	0.0085

Reference speed	6 300 r/min
Limiting speed	5 500 r/min

## Mass

Mass	0.13 kg
------	---------

## Associated products

Inner ring	IR 20x25x20
------------	-------------

# Terms and conditions

By accessing and using this website / app owned and published by AB SKF (publ.) (556007-3495 · Gothenburg) ("SKF"), you agree to the following terms and conditions:

## Warranty Disclaimer and Limitation of Liability

Although every care has been taken to assure the accuracy of the information on this website / app, SKF provides this information "AS IS" and DISCLAIMS ALL WARRANTIES, EXPRESS OR IMPLIED, INCLUDING, BUT NOT LIMITED TO, IMPLIED WARRANTIES OF MERCHANTABILITY AND FITNESS FOR A PARTICULAR PURPOSE. You acknowledge that your use of this website / app is at your sole risk, that you assume full responsibility for all costs associated with use of this website / app, and that SKF shall not be liable for any direct, incidental, consequential, or indirect damages of any kind arising out of your access to, or use of the information or software made available on this website / app. Any warranties and representations in this website / app for SKF products or services that you purchase or use will be subject to the agreed upon terms and conditions in the contract for such product or service. Further, for non-SKF websites / apps that are referenced in our website / app or where a hyperlink appears, SKF makes no warranties concerning the accuracy or reliability of the information in these websites / apps and assumes no responsibility for material created or published by third parties contained therein. In addition, SKF does not warrant that this website / app or these other linked websites / apps are free from viruses or other harmful elements.

## Third Party Services

When viewing YouTube content via the SKF website(s) (i.e. using YouTube API Services), you agree to be bound by the YouTube Terms of Service.

## Copyright

Copyright in this website / app copyright of the information and software made available on this website / app rest with SKF or its licensors. All rights are reserved. All licensed material will reference the licensor that has granted SKF the right to use the material. The information and software made available on this website / app may not be reproduced, duplicated, copied, transferred, distributed, stored, modified, downloaded or otherwise exploited for any commercial use without the prior written approval of SKF. However, it may be reproduced, stored and downloaded for use by individuals without prior written approval of SKF. Under no circumstances may this information or software be supplied to third parties.

This website /app includes certain images used under license from Shutterstock, Inc.

## Trademarks and Patents

All trademarks, brand names, and corporate logos displayed on the website / app are the property of SKF or its licensors, and may not be used in any way without prior written approval by SKF. All licensed trademarks published on this website / app reference the licensor that has granted SKF the right to use the trademark. Access to this website / app does not grant to the user any license under any patents owned by or licensed to SKF.

## Changes

SKF reserves the right to make changes or additions to this website / app at any time.