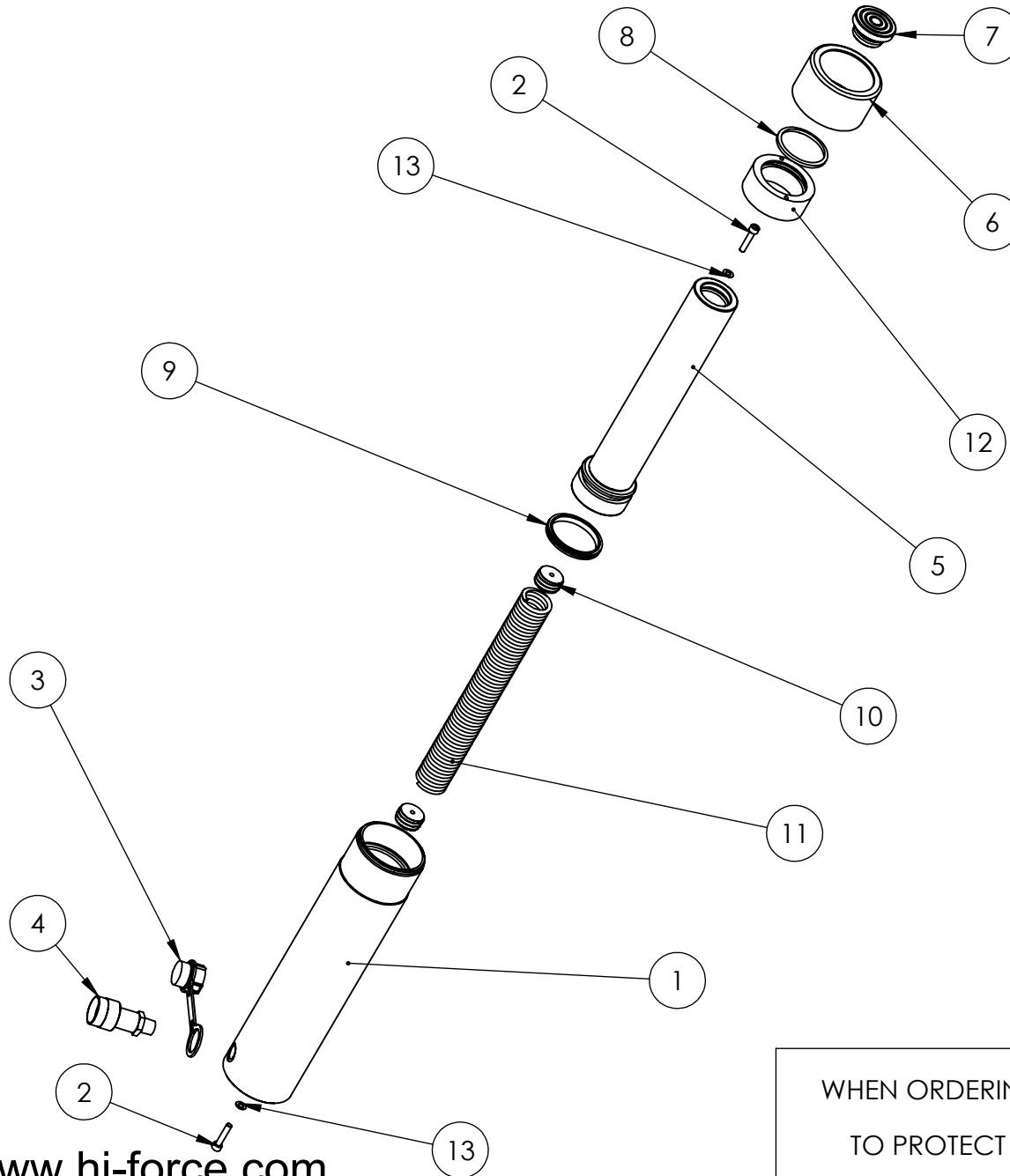


ITEM NO	HPF2520	HPF2530	HPF2541	HPF2542	HPF2544
1	PAS025DJ002	PAS025DJ002	PAS025DJ002	PAS025DJ002	PAS025DJ002
2	HP227	AHP1120	HEP103341	HEP103342	HEP207314
3	PLA025CF001	PLA025CF001	PLA025CF001	PLA025CF001	PLA025CF001
4	STC030RA001	STC030RA001	STC030RA001	STC030RA001	STC030RA001
5	HG25	HG25	HG25	HG25	HG25
6	HGA1	HGA1	HGA1	HGA1	HGA1
7	HH2	HH2	HH2	HH2	HH2
8	CM1	CM1	CM1	CM1	CM1
9	HF16	HF16	HF16	HF16	HF16

IMPORTANT

WHEN ORDERING SPARES YOU MUST STATE THE FULL PART NUMBER AND THE PRODUCT SERIAL NUMBER - FROM THE LABEL TO PROTECT YOUR WARRANTY ALWAYS USE GENUINE HI-FORCE PARTS.



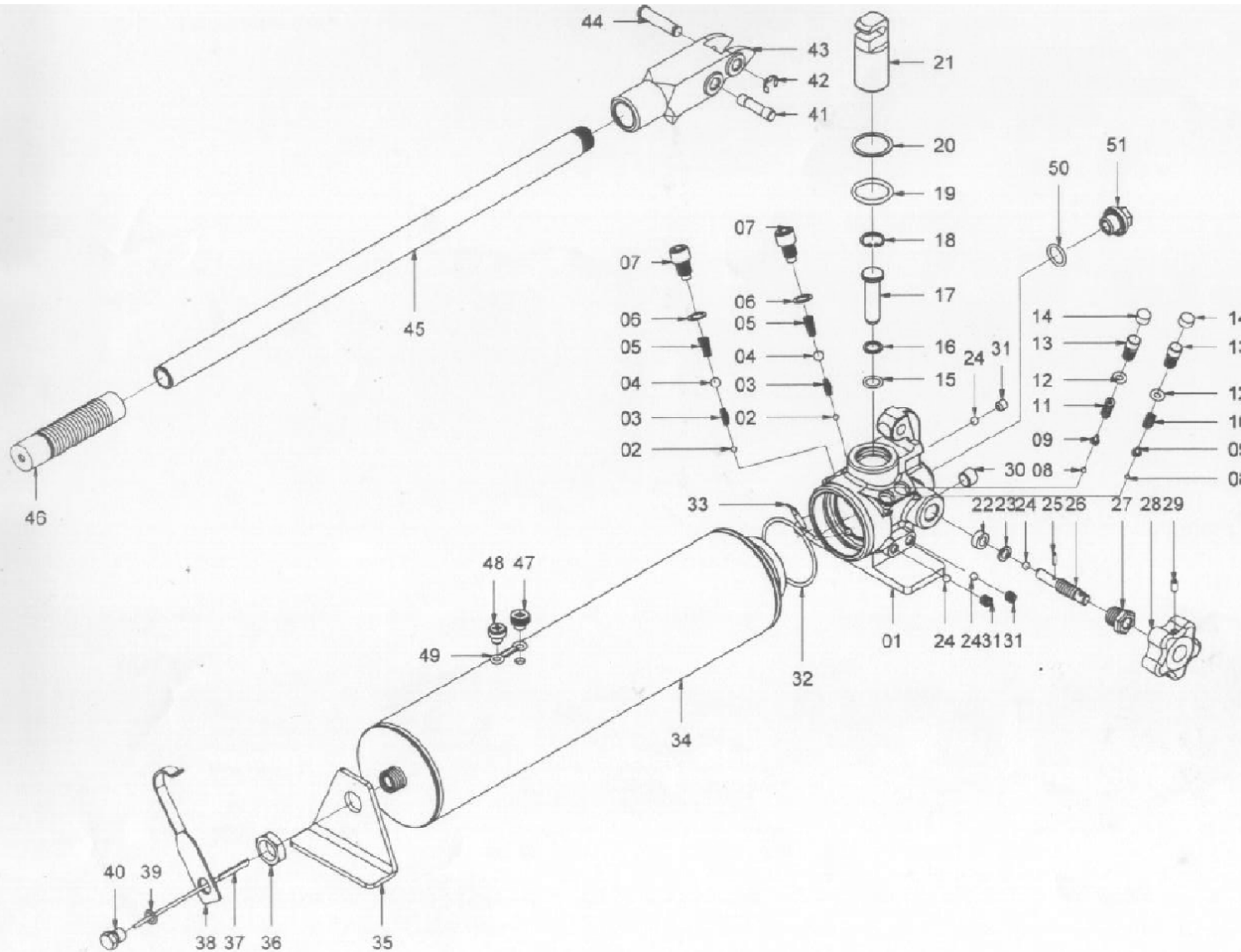
ITEM NO.	PART NUMBER	DESCRIPTION	QTY.
1	CBC067SL001	CYLINDER	1
2	BLC006JD030	CAP HD SCREW	2
3	BPC030PP001	DUST COVER	1
4	CF1	COUPLER	1
5	PRC067AL001	PISTON	1
6	PTP086TP025	THREAD PROTECTOR	1
7	SAA036GB001	SADDLE ASSEMBLY	1
8	X	WIPER	1
9	X	PISTON SEAL	1
10	SIC029TC001	SPRING INSERT	2
11	SPC038TM001	SPRING	1
12	SRC054SF001	STOP RING	1
13	X	WASHER	2

ITEMS MARKED 'X' ARE SUPPLIED IN KIT HSS25TP1-K ONLY.

NOTE: IF THE SPRING IS REPLACED
THE INSERTS SHOULD ALSO BE REPLACED.

IMPORTANT

WHEN ORDERING SPARES YOU MUST STATE THE FULL PART NUMBER AND THE
PRODUCT SERIAL NUMBER - FROM THE LABEL
TO PROTECT YOUR WARRANTY ALWAYS USE GENUINE HI-FORCE PARTS.



REF NO:	PARTS NO:	DESCRIPTION:	QTY.
01	HP227-01	PUMP HOUSING	1
02	X	STEEL BALL	2
03	X	SPRING	2
04	X	STEEL BALL	2
05	X	SPRING	2
06	X	WASHER	2
07	X	VALVE COVER SCREW	2
08	X	STEEL BALL	2
09	X	PRING END CAP	2
10	X	SHORT SEPARATOR SPRING	1
11	X	LONG SEPARATOR SPRING	1
12	X	O-RING	2
13	X	OVERLOAD COVER SCREW	2
14	X	CAP	2
15	X	O-RING	1
16	X	BACK UP RING	1
17	HP227-17	PUMP PISTON	1
18	X	SNAP RING	1
19	X	O-RING	1
20	X	BACK UP RING	1
21	HP227-21	PUMP PISTON	1
22	X	OIL SEAL	1
23	X	WASHER	1
24	X	STEEL BALL	4
25	RV	PIN	1
26	RV	RELEASE SCREW	1
27	RV	RELEASE NUT	1
28	RV	RELEASE KNOB	1
29	RV	SET SCREW	1
30	X	SCREW	1
31	X	SCREW	3
32	X	O-RING	1
33	X	OIL FILTER	1
34	HP227-34	RESERVOIR	1
35	HP227-35	REAR BASE	1
36	HP227-36	REAR BASE NUT	1
37	X	OIL SCALE	1
38	X	FIXING HOOK	1
39	X	O-RING	1
40	X	SCREW	1
41	X	PISTON PIN	1
42	X	RETAINING RING	1
43	HP227-43	YOKE	1
44	X	YOKE PIN	1
45	HP227-45	HANDLE	1
46	X	HANDLE GRIP	1
47	X	AIR RELEASE SCREW	1
48	X	VENT SCREW	1
49	X	O-RING	1
50	X	O-RING	1
51	X	NIPPLE	1
52	HP227-52	RELEASE VALVE ASSEMBLY	1

PARTS MARKED 'RV' ONLY AVAILABLE AS RELEASE VALVE ASSEMBLY- ITEM 52.

PARTS MARKED 'X' SUPPLIED IN KIT HP227TP2-K ONLY.

IMPORTANT

WHEN ORDERING SPARES YOU MUST STATE THE FULL PART NUMBER AND THE PRODUCT SERIAL NUMBER - FROM THE LABEL TO PROTECT YOUR WARRANTY ALWAYS USE GENUINE HI-FORCE PARTS.