

**HFA | SINGLE ACTING FAILSAFE LOCK RING ALUMINIUM CYLINDERS**



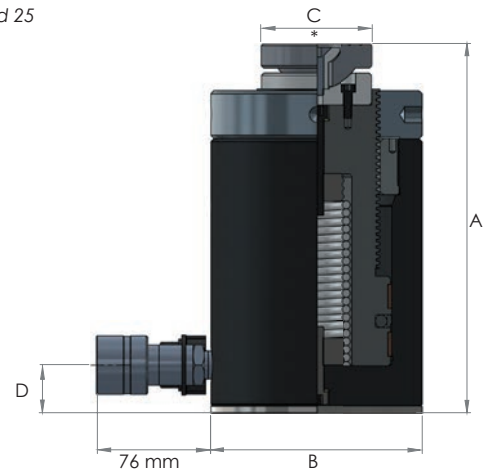
Capacities from 32 to 110 tonnes

Stroke lengths from 51 to 305 mm

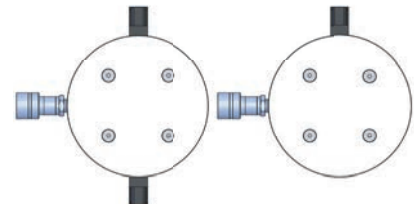
Working pressure 700 bar

\*see pages 24 and 25

- ▶ Lightweight aluminium cylinders for applications where weight and portability are of prime importance
- ▶ Single acting, spring assisted return
- ▶ Mechanical lock ring feature allows for load holding for extended periods
- ▶ Hard anodised piston rod and cylinder for corrosion resistance and increased durability
- ▶ Low friction bearing surfaces
- ▶ Anti-extrusion seals for improved performance at high pressures
- ▶ Tilting saddle fitted as standard on all models
- ▶ Steel base plate fitted as standard
- ▶ Integral stop ring
- ▶ Optional piston rod saddles listed on pages 24 and 25
- ▶ Customised and special design cylinders are available on request



Handle positions



Model number	Capacity (tonnes)	Stroke (mm)	Oil capacity (cm <sup>3</sup> )	Cylinder eff. area (cm <sup>2</sup> )	Weight (kg)	Tommy bar	Handles	Dimensions (mm)			
								A	B	C	D
HFA302	32	51	232	45.4	6	TTB10	-	227	108	50	25
HFA306	32	152	691	45.4	8	TTB10	-	328	108	50	25
HFA3012	32	305	1386	45.4	11	TTB10	1	481	108	50	25
HFA502	51	51	364	71.3	9	TTB10	1	231	133	70	30
HFA506	51	152	1084	71.3	11	TTB10	1	332	133	70	30
HFA5012	51	305	2175	71.3	17	TTB10	1	485	133	70	30
HFA1002	110	51	785	153.9	24	TTB10	2	277	202	100	41
HFA1006	110	152	2340	153.9	30	TTB10	2	378	202	100	41
HFA10012	110	305	4695	153.9	39	TTB10	2	531	202	100	41

*Note: If specifying this cylinder for use with the SLF and SLV synchronous lifting systems and associated mounting kit, please consider the increase in dimension A (closed height), see pages 42 and 46.*