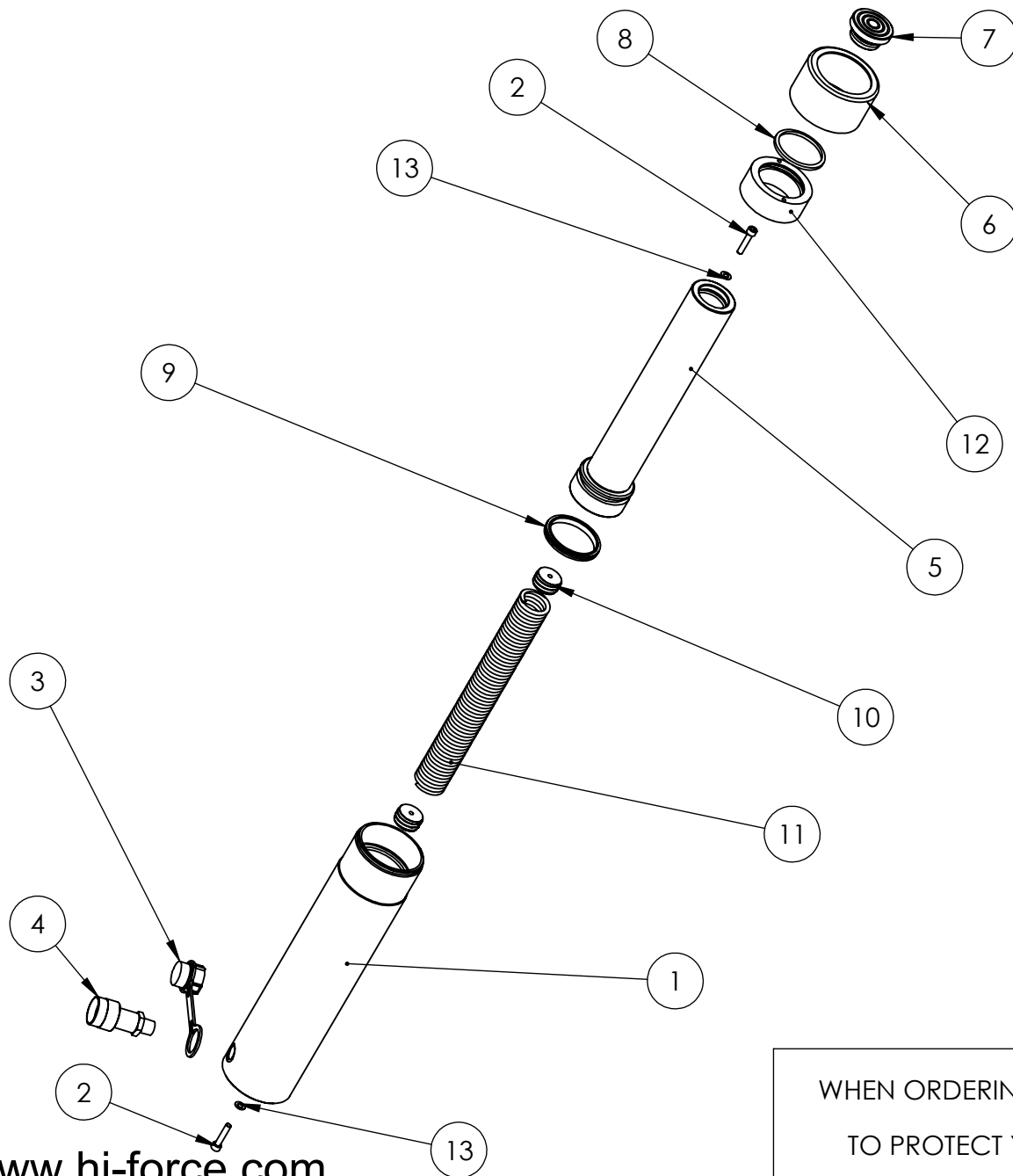


| ITEM NO | HPF2520     | HPF2530     | HPF2541     | HPF2542     | HPF2544     |
|---------|-------------|-------------|-------------|-------------|-------------|
| 1       | PAS025DJ002 | PAS025DJ002 | PAS025DJ002 | PAS025DJ002 | PAS025DJ002 |
| 2       | HP227       | AHP1120     | HEP103341   | HEP103342   | HEP207314   |
| 3       | PLA025CF001 | PLA025CF001 | PLA025CF001 | PLA025CF001 | PLA025CF001 |
| 4       | STC030RA001 | STC030RA001 | STC030RA001 | STC030RA001 | STC030RA001 |
| 5       | HG25        | HG25        | HG25        | HG25        | HG25        |
| 6       | HGA1        | HGA1        | HGA1        | HGA1        | HGA1        |
| 7       | HH2         | HH2         | HH2         | HH2         | HH2         |
| 8       | CM1         | CM1         | CM1         | CM1         | CM1         |
| 9       | HF16        | HF16        | HF16        | HF16        | HF16        |

**IMPORTANT**

WHEN ORDERING SPARES YOU MUST STATE THE FULL PART NUMBER AND THE PRODUCT SERIAL NUMBER - FROM THE LABEL TO PROTECT YOUR WARRANTY ALWAYS USE GENUINE HI-FORCE PARTS.



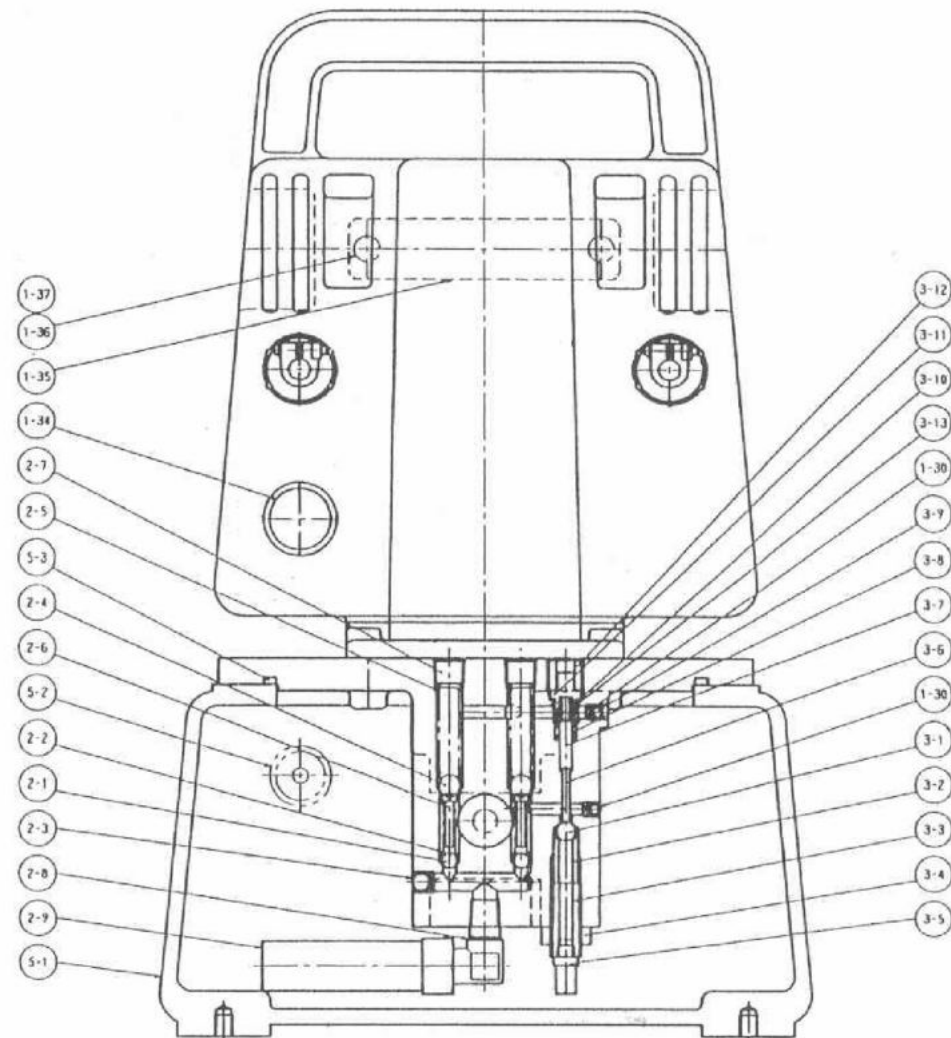
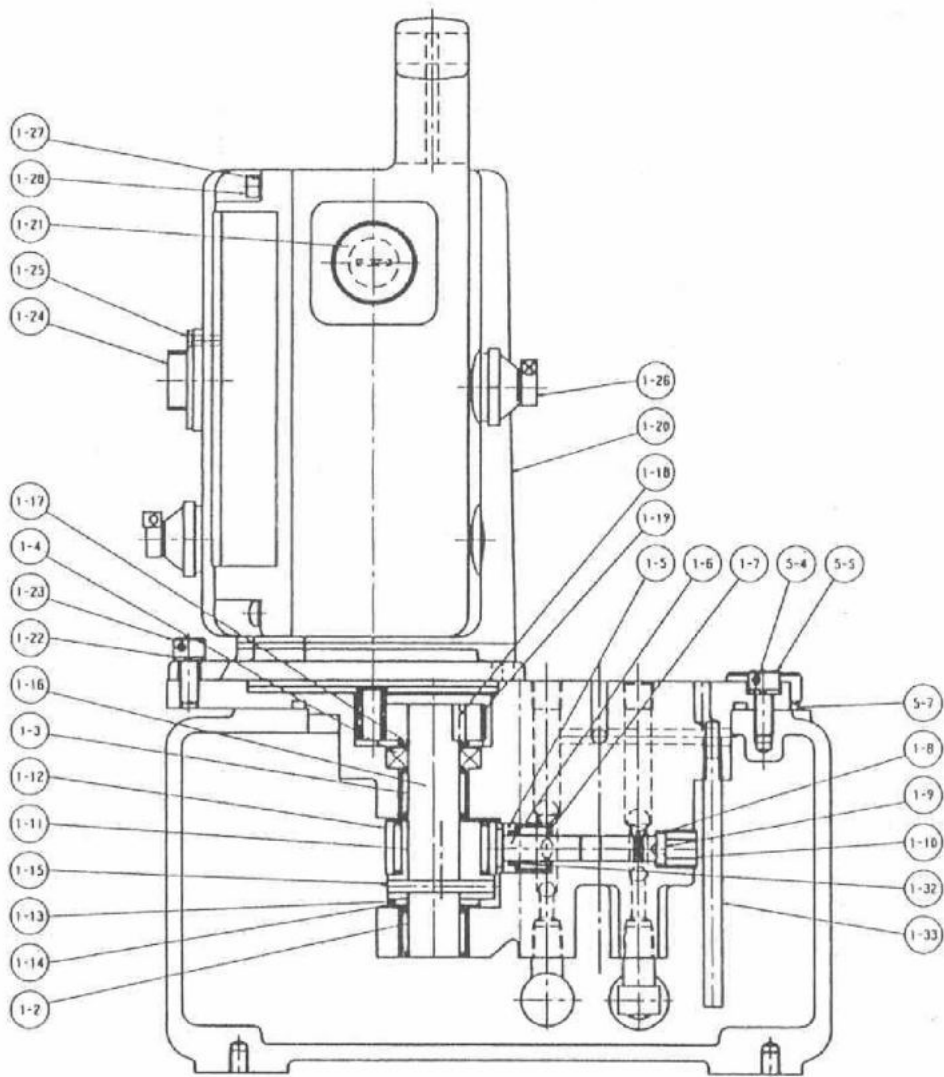
| ITEM NO. | PART NUMBER | DESCRIPTION      | QTY. |
|----------|-------------|------------------|------|
| 1        | CBC067SL001 | CYLINDER         | 1    |
| 2        | BLC006JD030 | CAP HD SCREW     | 2    |
| 3        | BPC030PP001 | DUST COVER       | 1    |
| 4        | CF1         | COUPLER          | 1    |
| 5        | PRC067AL001 | PISTON           | 1    |
| 6        | PTP086TP025 | THREAD PROTECTOR | 1    |
| 7        | SAA036GB001 | SADDLE ASSEMBLY  | 1    |
| 8        | X           | WIPER            | 1    |
| 9        | X           | PISTON SEAL      | 1    |
| 10       | SIC029TC001 | SPRING INSERT    | 2    |
| 11       | SPC038TM001 | SPRING           | 1    |
| 12       | SRC054SF001 | STOP RING        | 1    |
| 13       | X           | WASHER           | 2    |

ITEMS MARKED 'X' ARE SUPPLIED IN KIT HSS25TP1-K ONLY.

NOTE: IF THE SPRING IS REPLACED  
THE INSERTS SHOULD ALSO BE REPLACED.

**IMPORTANT**

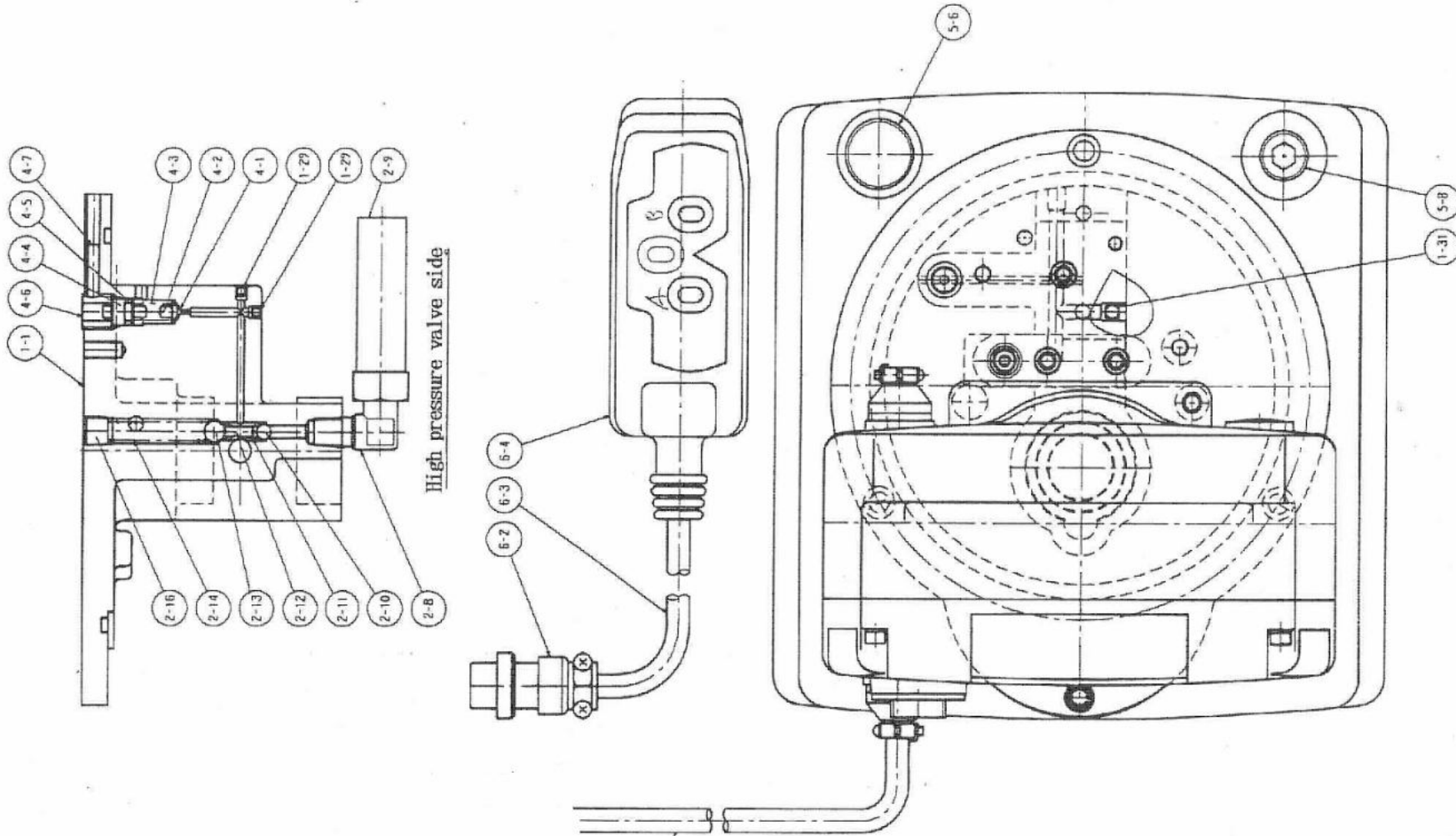
WHEN ORDERING SPARES YOU MUST STATE THE FULL PART NUMBER AND THE  
PRODUCT SERIAL NUMBER - FROM THE LABEL  
TO PROTECT YOUR WARRANTY ALWAYS USE GENUINE HI-FORCE PARTS.



PARTS COMMON TO ALL MODELS SEE  
SHEET 7 FOR PARTS LISTING

**IMPORTANT**

WHEN ORDERING SPARES YOU MUST STATE THE FULL PART NUMBER AND THE  
PRODUCT SERIAL NUMBER - FROM THE LABEL  
TO PROTECT YOUR WARRANTY ALWAYS USE GENUINE HI-FORCE PARTS.

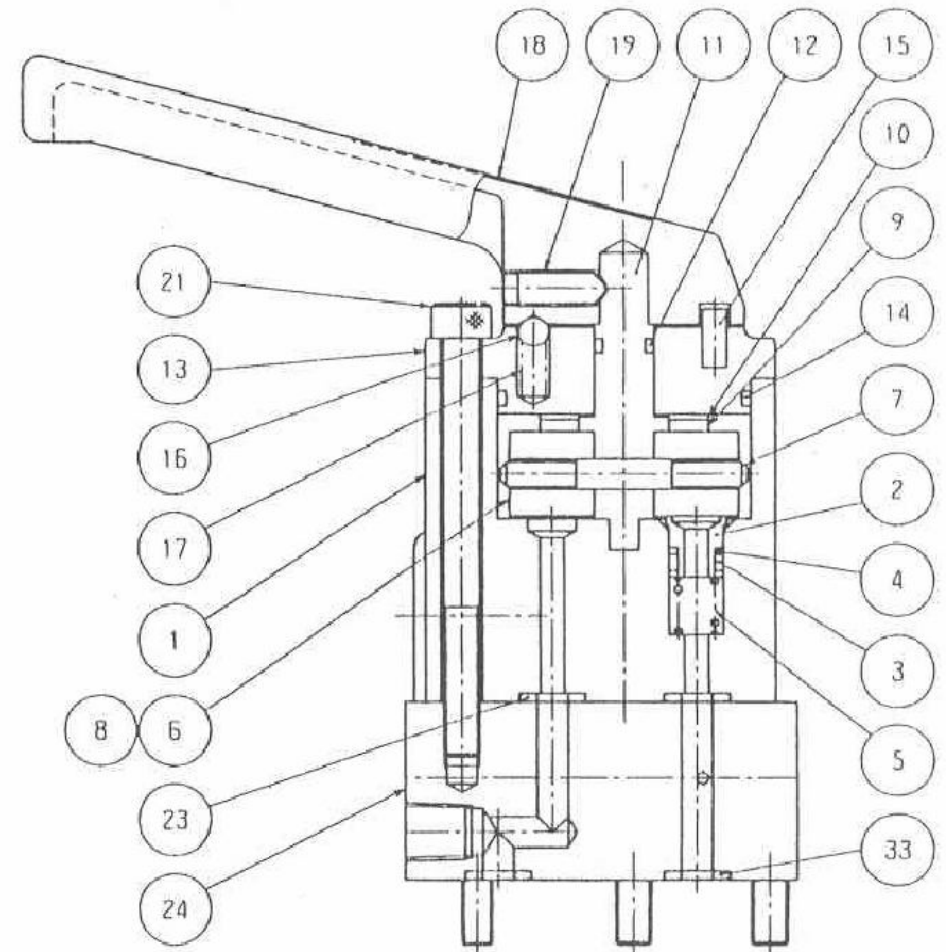
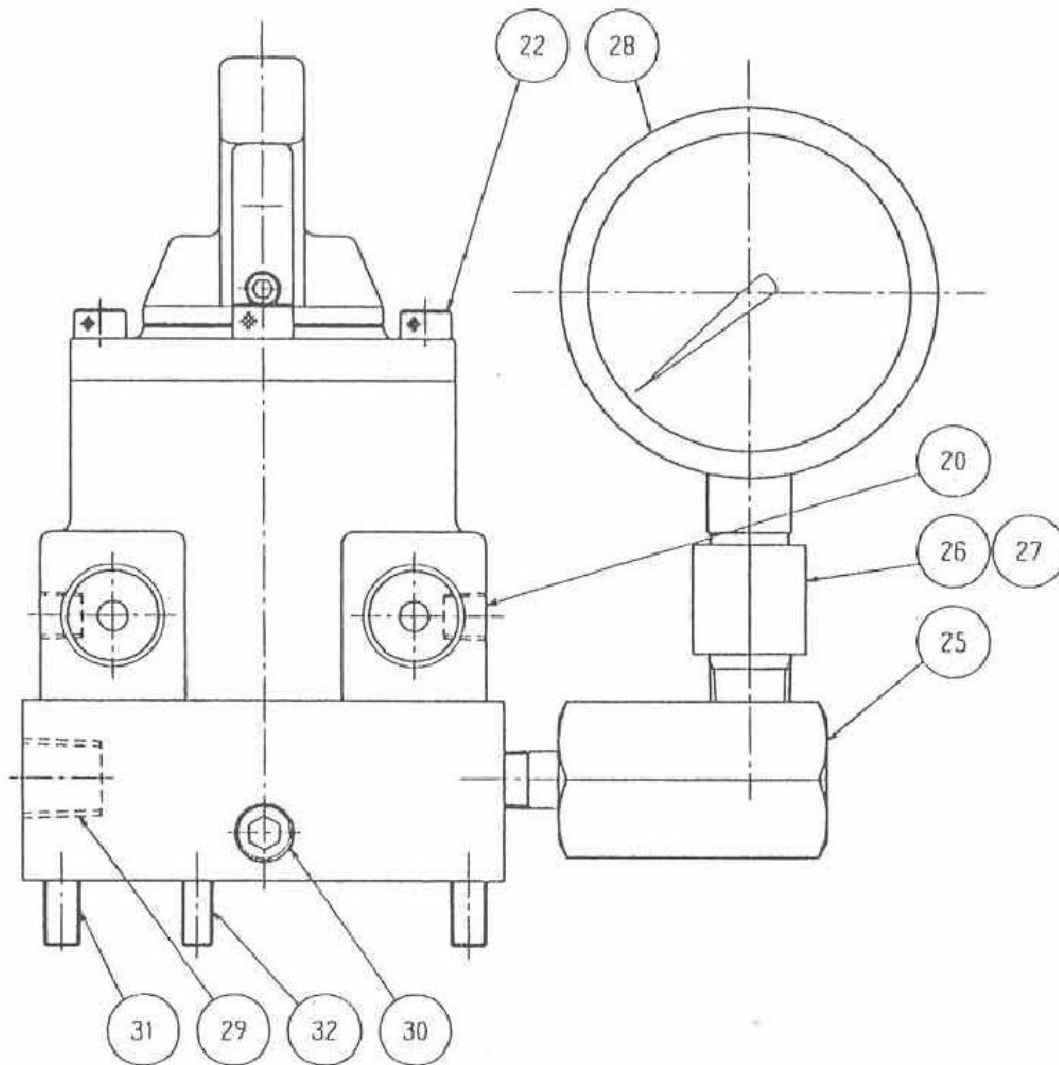


PARTS COMMON TO ALL MODELS SEE SHEET 7 FOR PARTS LISTING

[www.hi-force.com](http://www.hi-force.com)

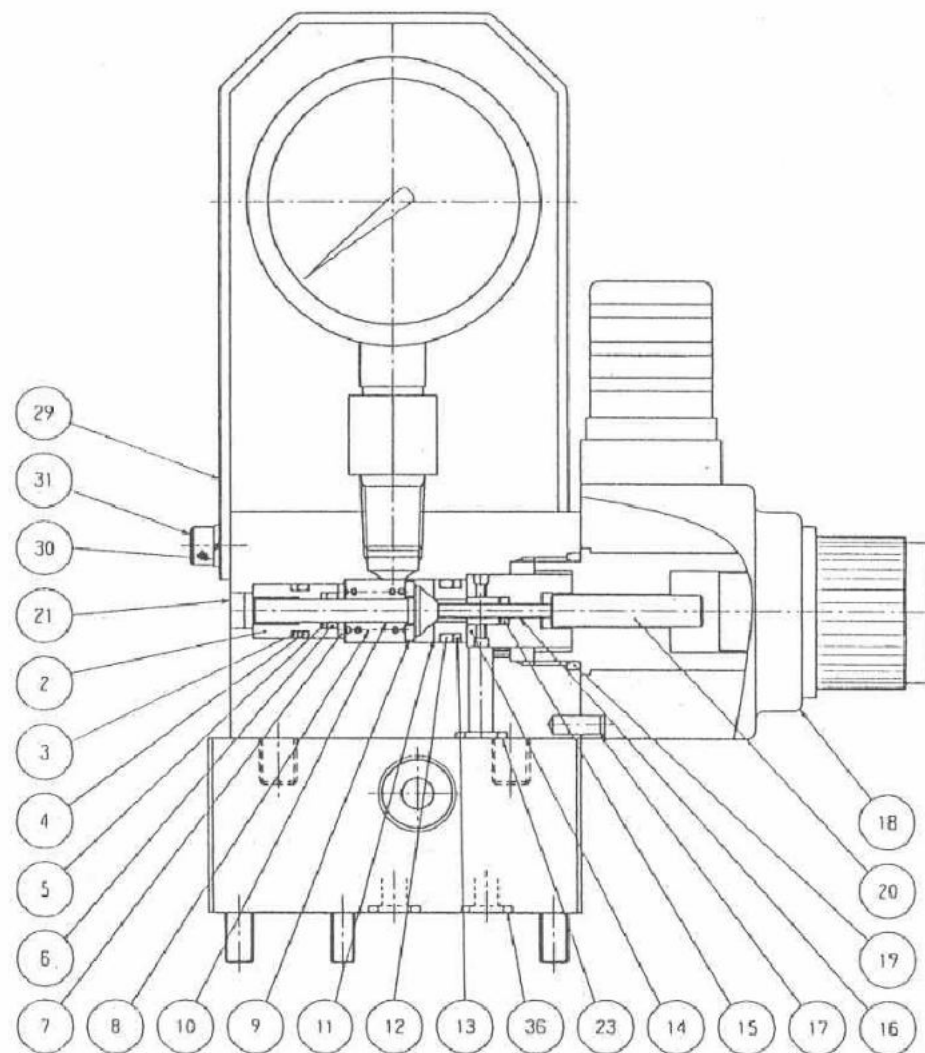
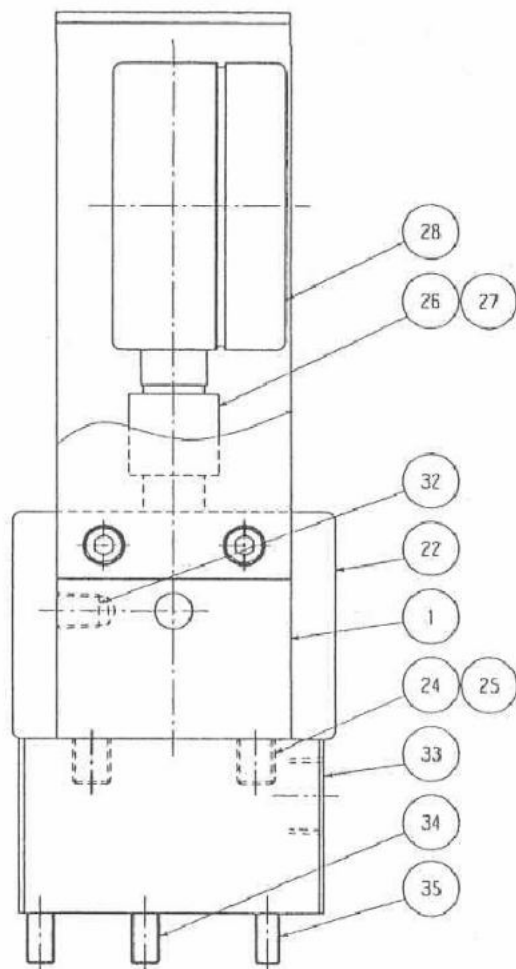
**IMPORTANT**

WHEN ORDERING SPARES YOU MUST STATE THE FULL PART NUMBER AND THE PRODUCT SERIAL NUMBER - FROM THE LABEL TO PROTECT YOUR WARRANTY ALWAYS USE GENUINE HI-FORCE PARTS.



VALVE COMPONENTS FOR HEP103341 AND HEP103342  
3 WAY MANUAL VALVE MODELS  
HEP103441 AND HEP103442 4 WAY MANUAL VALVE MODELS  
SEE SHEET 8 FOR PARTS LISTING

**IMPORTANT**  
WHEN ORDERING SPARES YOU MUST STATE THE FULL PART NUMBER AND THE  
PRODUCT SERIAL NUMBER - FROM THE LABEL  
TO PROTECT YOUR WARRANTY ALWAYS USE GENUINE HI-FORCE PARTS.

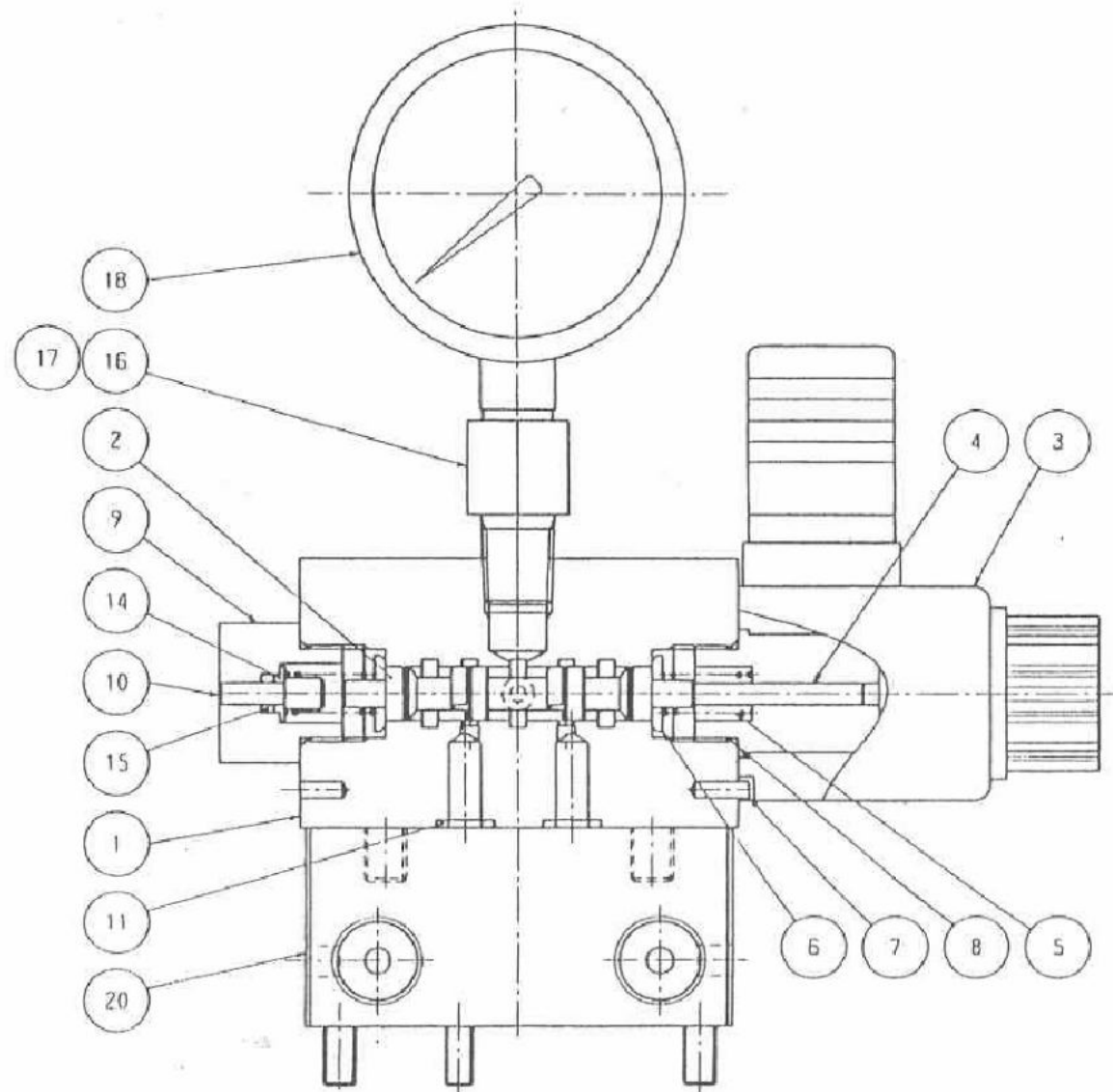
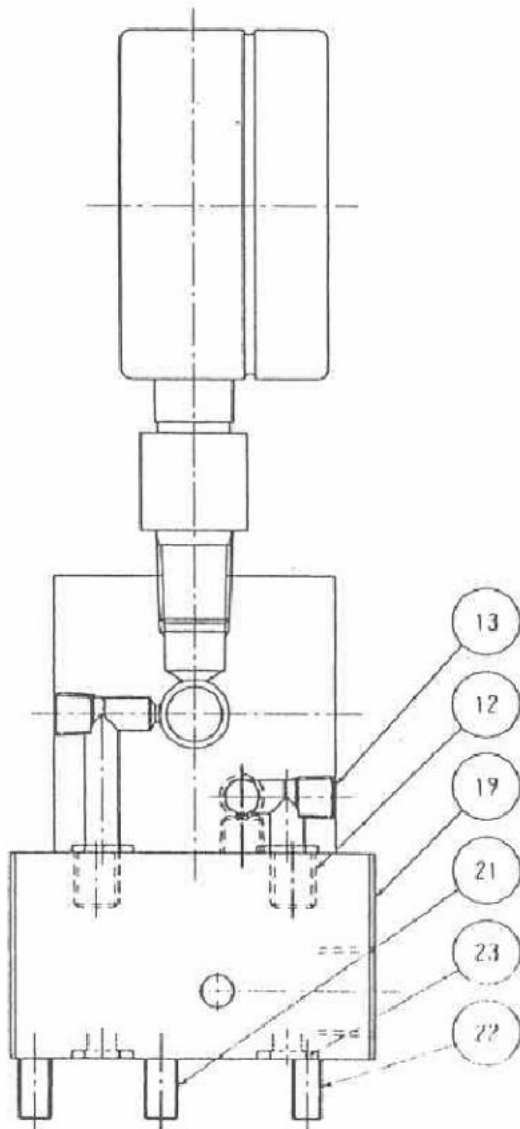


VALVE COMPONENTS FOR HEP103241LS AND HEP103242LS  
2 WAY SOLENOID VALVE MODELS WITH HOLD FUNCTION  
SEE SHEET 8 FOR PARTS LISTING

[www.hi-force.com](http://www.hi-force.com)

**IMPORTANT**

WHEN ORDERING SPARES YOU MUST STATE THE FULL PART NUMBER AND THE  
PRODUCT SERIAL NUMBER - FROM THE LABEL  
TO PROTECT YOUR WARRANTY ALWAYS USE GENUINE HI-FORCE PARTS.

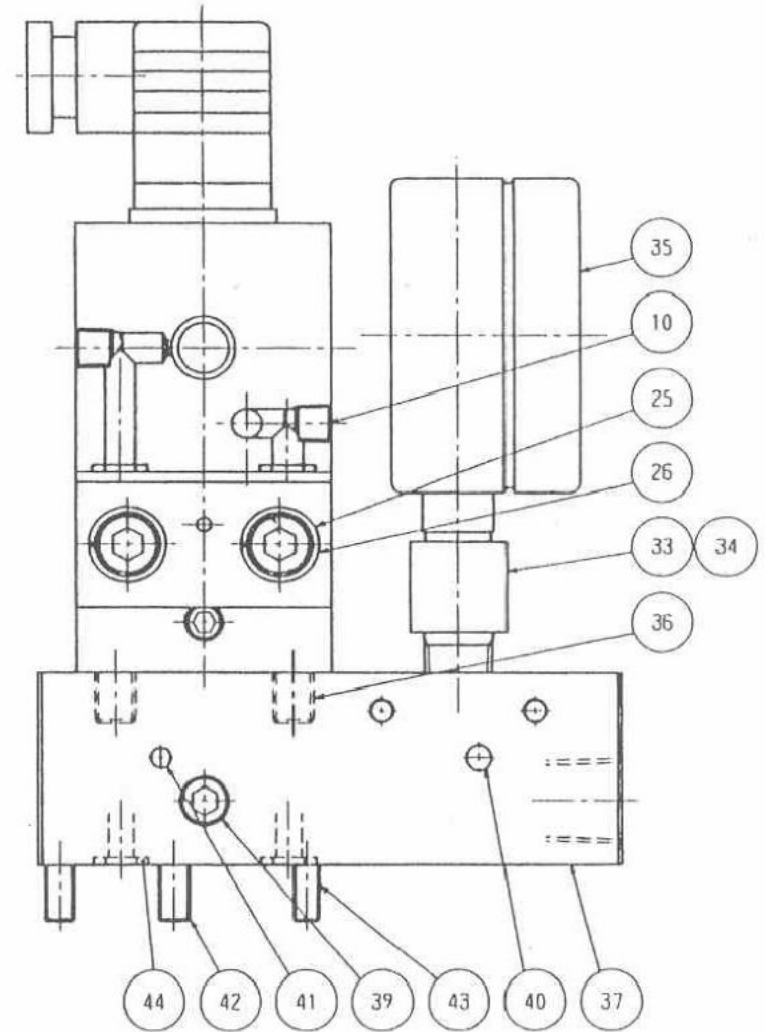
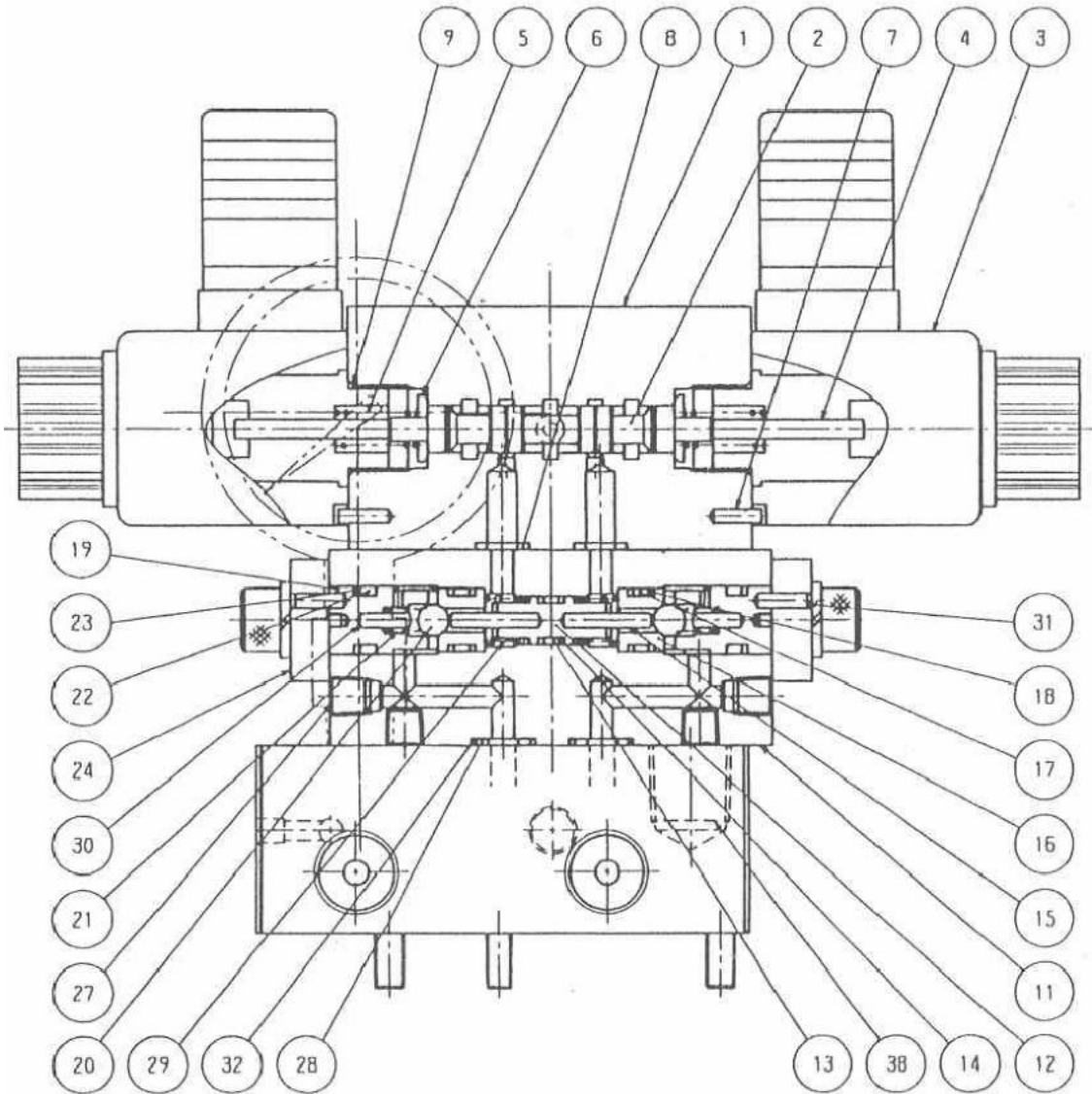


VALVE COMPONENTS FOR HEP103241S AND HEP103242S  
2 WAY SOLENOID VALVE MODELS WITH AUTO RETRACT  
SEE SHEET 8 FOR PARTS LISTING

[www.hi-force.com](http://www.hi-force.com)

**IMPORTANT**

WHEN ORDERING SPARES YOU MUST STATE THE FULL PART NUMBER AND THE  
PRODUCT SERIAL NUMBER - FROM THE LABEL  
TO PROTECT YOUR WARRANTY ALWAYS USE GENUINE HI-FORCE PARTS.



VALVE COMPONENTS FOR HEP103441LS AND HEP103442LS  
4 WAY SOLENOID VALVE MODELS WITH LOCKING FEATURE ON  
PORTS A AND B SEE SHEET 9 FOR PARTS LISTING

[www.hi-force.com](http://www.hi-force.com)

**IMPORTANT**

WHEN ORDERING SPARES YOU MUST STATE THE FULL PART NUMBER AND THE  
PRODUCT SERIAL NUMBER - FROM THE LABEL  
TO PROTECT YOUR WARRANTY ALWAYS USE GENUINE HI-FORCE PARTS.

| ITEM NO. | PART NUMBER | DESCRIPTION          | ITEM NO. | PART NUMBER | DESCRIPTION     | ITEM NO. | PART NUMBER | DESCRIPTION    |
|----------|-------------|----------------------|----------|-------------|-----------------|----------|-------------|----------------|
| 1-1      | HEP103P1-1  | PUMP BODY            | 2-2      | HEP103P1-33 | SPRING          | 4-5      | HEP103P1-64 | O-RING         |
| 1-2      | HEP103P1-2  | BALL BEARING         | 2-3      | HEP103P1-34 | EXPANDER        | 4-6      | HEP103P1-65 | SCREW          |
| 1-3      | HEP103P1-3  | BALL BEARING         | 2-4      | HEP103P1-35 | STEEL BALL      | 4-7      | HEP103P1-66 | LOCK SCREW     |
| 1-4      | HEP103P1-4  | OIL SEAL             | 2-5      | HEP103P1-36 | SPRING          |          |             |                |
| 1-5      | HEP103P1-5  | LOW PRESSURE PISTON  | 2-6      | HEP103P1-37 | RETAINER        | 5-1      | HEP103P1-67 | RESERVOIR      |
| 1-6      | HEP103P1-6  | HIGH PRESSURE PISTON | 2-7      | HEP103P1-38 | BLIND PLUG      | 5-2      | HEP103P1-68 | OIL GAUGE      |
| 1-7      | HEP103P1-7  | SPRING               | 2-8      | HEP103P1-39 | L FITTING       | 5-3      | HEP103P1-69 | O-RING         |
| 1-8      | HEP103P1-8  | COPPER PACKING       | 2-9      | HEP103P1-40 | FILTER          | 5-4      | HEP103P1-70 | SPRING WASHER  |
| 1-9      | HEP103P1-9  | BLIND PLUG           | 2-10     | HEP103P1-41 | STEEL BALL      | 5-5      | HEP103P1-71 | BOLT           |
| 1-10     | HEP103P1-10 | SCREW PLUG           | 2-11     | HEP103P1-42 | SPRING          | 5-6      | HEP103P1-72 | OIL PLUG       |
| 1-11     | HEP103P1-11 | ECCENTRIC COLLAR     | 2-12     | HEP103P1-43 | RETAINER        | 5-7      | HEP103P1-73 | O-RING         |
| 1-12     | HEP103P1-12 | BALL BEARING         | 2-13     | HEP103P1-44 | STEEL BALL      | 5-8      | HEP103P1-74 | BLIND SCREW    |
| 1-13     | HEP103P1-13 | THRUST BEARING       | 2-14     | HEP103P1-45 | SPRING          |          |             |                |
| 1-14     | HEP103P1-14 | THRUST WASHER        | 2-15     | HEP103P1-46 |                 | 6-2      | HEP103P1-75 | PLUG SOCKET    |
| 1-15     | HEP103P1-15 | SPRING PIN           | 2-16     | HEP103P1-47 | BLIND PLUG      | 6-3      | HEP103P1-76 | PENDANT CORD   |
| 1-16     | HEP103P1-16 | DRIVE SHAFT          |          |             |                 | 6-4      | HEP103P1-77 | PENDANT SWITCH |
| 1-17     | HEP103P1-17 | G TYPE LINK          | 3-1      | HEP103P1-48 | STEEL BALL      |          |             |                |
| 1-18     | HEP103P1-18 | KEY                  | 3-2      | HEP103P1-49 | SPRING          |          |             |                |
| 1-19     | HEP103P1-19 | GEAR                 | 3-3      | HEP103P1-50 | ADJUSTING SCREW |          |             |                |
| 1-20     | HEP103P1-20 | ELECTRIC MOTOR       | 3-4      | HEP103P1-51 | LOCK NUT        |          |             |                |
| 1-21     | HEP103P1-21 | RUBBER PLUG          | 3-5      | HEP103P1-52 | AIR FILTER      |          |             |                |
| 1-22     | HEP103P1-22 | SPRING WASHER        | 3-6      | HEP103P1-53 | NEEDLE ROLLER   |          |             |                |
| 1-23     | HEP103P1-23 | BOLT                 | 3-7      | HEP103P1-54 | NEEDLE ROLLER   |          |             |                |
| 1-24     | HEP103P1-24 | SOCKET PLUG          | 3-8      | HEP103P1-55 | O-RING          |          |             |                |
| 1-25     | HEP103P1-25 | SCREW                | 3-9      | HEP103P1-56 | BACK UP RING    |          |             |                |
| 1-26     | HEP103P1-26 | CAP CONE             | 3-10     | HEP103P1-57 | COPPER PACKING  |          |             |                |
| 1-27     | HEP103P1-27 | SPRING WASHER        | 3-11     | HEP103P1-58 | BLIND PIECE     |          |             |                |
| 1-28     | HEP103P1-28 | BOLT                 | 3-12     | HEP103P1-59 | BLIND SCREW     |          |             |                |
| 1-29     | HEP103P1-29 | EXPANDER             |          |             |                 |          |             |                |
| 1-30     | HEP103P1-30 | EXPANDER             | 4-1      | HEP103P1-60 | STEEL BALL      |          |             |                |
| 1-31     | HEP103P1-31 | EXPANDER             | 4-2      | HEP103P1-61 | BALL RECIEVER   |          |             |                |
|          |             |                      | 4-3      | HEP103P1-62 | SPRING          |          |             |                |
| 2-1      | HEP103P1-32 | STEEL BALL           | 4-4      | HEP103P1-63 | SPRING WASHER   |          |             |                |
|          |             |                      |          |             |                 |          |             |                |
|          |             |                      |          |             |                 |          |             |                |
|          |             |                      |          |             |                 |          |             |                |

PARTS COMMON TO ALL MODELS  
 SEE SHEETS 1 AND 2

**IMPORTANT**

WHEN ORDERING SPARES YOU MUST STATE THE FULL PART NUMBER AND THE  
 PRODUCT SERIAL NUMBER - FROM THE LABEL  
 TO PROTECT YOUR WARRANTY ALWAYS USE GENUINE HI-FORCE PARTS.

| PARTS FOR HEP103341, HEP103342, HEP103441 & HEP103442 MANUAL VALVES (SHEET 3) |              |                 | PARTS FOR HEP103241LS, HEP103242LS SOLENOID VALVES (SHEET 4) |              |                     | PARTS FOR HEP103241S & HEP103242S (SHEET 5) |              |                     |
|---|--------------|-----------------|--|--------------|---------------------|---|--------------|---------------------|
| ITEM NO.  | PART NUMBER  | DESCRIPTION     | ITEM NO.   | PART NUMBER  | DESCRIPTION         | ITEM NO.                                    | PART NUMBER  | DESCRIPTION         |
| 1   | HEP103P1-78  | VALVE BODY      | 1  | HEP103P1-111 | VALVE BODY          | 1   | HEP103P1-146 | VALVE BODY          |
| 2   | HEP103P1-79  | VALVE SEAT      | 2  | HEP103P1-112 | SLEEVE              | 2   | HEP103P1-147 | SPOOL SHAFT         |
| 3   | HEP103P1-80  | O-RING          | 3  | HEP103P1-113 | BACK UP RING        | 3   | HEP103P1-148 | SOLENOID            |
| 4   | HEP103P1-81  | BACK UP RING    | 4  | HEP103P1-114 | O-RING              | 4   | HEP103P1-149 | PUSH PIN            |
| 5   | HEP103P1-82  | SPRING 1        | 5  | HEP103P1-115 | BACK UP RING        | 5   | HEP103P1-150 | SPRING              |
| 6   | HEP103P1-83  | ROTARY VALVE    | 6  | HEP103P1-116 | O-RING              | 6   | HEP103P1-151 | SPRING RECEIVER     |
| 7   | HEP103P1-84  | FIXED PIN       | 7  | HEP103P1-117 | COLLAR              | 7   | HEP103P1-152 | POSITIONING PIN     |
| 8   | HEP103P1-85  | BLIND PLUG      | 8  | HEP103P1-118 | SPRING              | 8   | HEP103P1-153 | O-RING              |
| 9   | HEP103P1-86  | THRUST BEARING  | 9  | HEP103P1-119 | SPRING RECEIVER     | 9   | HEP103P1-154 | SPRING RECEIVER NUT |
| 10  | HEP103P1-87  | THRUST WASHER   | 10   | HEP103P1-120 | POPPET              | 10  | HEP103P1-155 | STOPPER PIN         |
| 11  | HEP103P1-88  | SHAFT           | 11   | HEP103P1-121 | VALVE SEAT          | 11  | HEP103P1-156 | O-RING              |
| 12  | HEP103P1-89  | O-RING          | 12   | HEP103P1-122 | O-RING              | 12  | HEP103P1-157 | BOLT                |
| 13  | HEP103P1-90  | COVER           | 13   | HEP103P1-123 | BACK UP RING        | 13  | HEP103P1-158 | BLIND PLUG          |
| 14  | HEP103P1-91  | O-RING          | 14   | HEP103P1-124 | VALVE SEAT RETAINER | 14  | HEP103P1-159 | O-RING COLLAR       |
| 15  | HEP103P1-92  | POSITIONING PIN | 15   | HEP103P1-125 | O-RING              | 15  | HEP103P1-160 | O-RING              |
| 16  | HEP103P1-93  | STEEL BALL      | 16   | HEP103P1-126 | PUSH PIN 1          | 16  | HEP103P1-161 | GAUGE ADAPTOR       |
| 17  | HEP103P1-94  | SPRING 2        | 17   | HEP103P1-127 | SPRING PIN          | 17  | HEP103P1-162 | COPPER PACKING      |
| 18  | HEP103P1-95  | HANDLE          | 18   | HEP103P1-128 | SOLENOID            | 18  | HEP103P1-163 | PRESSURE GAUGE      |
| 19  | HEP103P1-96  | SET SCREW       | 19   | HEP103P1-129 | O-RING              | 19  | HEP103P1-164 | MANIFOLD            |
| 20  | HEP103P1-97  | BLIND PLUG      | 20   | HEP103P1-130 | PUSH PIN 2          | 20  | HEP103P1-165 | EXPANDER            |
| 21  | HEP103P1-98  | BOLT            | 22   | HEP103P1-131 | DUMMY COVER         | 21  | HEP103P1-166 | BOLT                |
| 22  | HEP103P1-99  | BOLT            | 23   | HEP103P1-132 | O-RING              | 22  | HEP103P1-167 | BOLT                |
| 23  | HEP103P1-100 | O-RING          | 24   | HEP103P1-133 | BOLT                | 23  | HEP103P1-168 | O-RING              |
| 24  | HEP103P1-101 | MANIFOLD        | 25   | HEP103P1-134 | SPRING WASHER       |   |              |                     |
| 25  | HEP103P1-102 | NIPPLE          | 26   | HEP103P1-135 | GAUGE ADAPTOR       |   |              |                     |
| 26  | HEP103P1-103 | GAUGE ADAPTOR   | 27   | HEP103P1-136 | COPPER WASHER       |   |              |                     |
| 27  | HEP103P1-104 | COPPER WASHER   | 28   | HEP103P1-137 | PRESSURE GAUGE      |   |              |                     |
| 28  | HEP103P1-105 | PRESSURE GAUGE  | 29   | HEP103P1-138 | COVER               |   |              |                     |
| 29  | HEP103P1-106 | BLIND PLUG      | 30   | HEP103P1-139 | SPRING WASHER       |   |              |                     |
| 30  | HEP103P1-107 | BLIND PLUG      | 31   | HEP103P1-140 | BOLT                |   |              |                     |
| 31  | HEP103P1-108 | BOLT            | 32   | HEP103P1-141 | BLIND PLUG          |   |              |                     |
| 32  | HEP103P1-109 | BOLT            | 33   | HEP103P1-142 | MANIFOLD            |   |              |                     |
| 33  | HEP103P1-110 | O-RING          | 34   | HEP103P1-143 | BOLT                |   |              |                     |
|   |              |                 | 35   | HEP103P1-144 | BOLT                |   |              |                     |
|   |              |                 | 36   | HEP103P1-145 | O-RING              |   |              |                     |

**IMPORTANT**

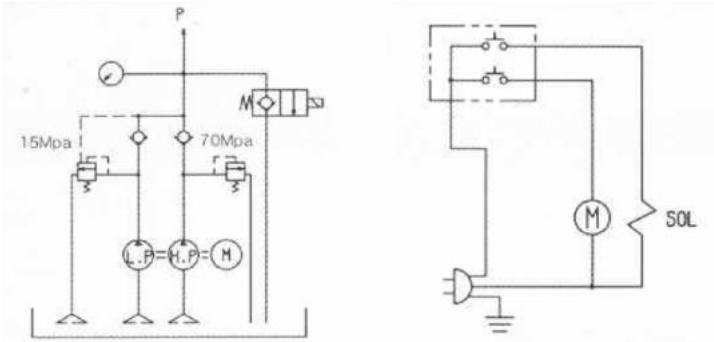
WHEN ORDERING SPARES YOU MUST STATE THE FULL PART NUMBER AND THE PRODUCT SERIAL NUMBER - FROM THE LABEL TO PROTECT YOUR WARRANTY ALWAYS USE GENUINE HI-FORCE PARTS.

PARTS FOR HEP103441LS & HEP103442LS (SHEET 6)

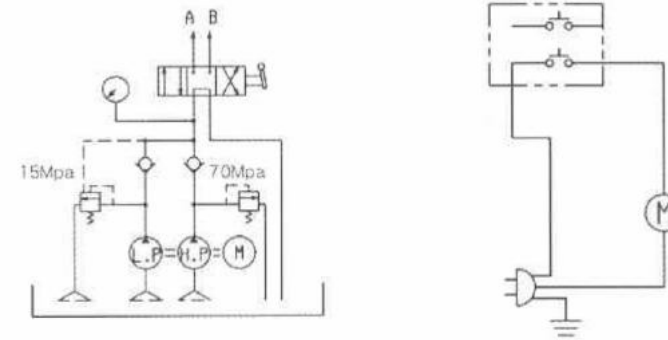
| ITEM NO. | PART NUMBER  | DESCRIPTION         | ITEM NO. | PART NUMBER  | DESCRIPTION     |
|----------|--------------|---------------------|----------|--------------|-----------------|
| 1        | HEP103P1-169 | VALVE BODY          | 23       | HEP103P1-191 | BACK UP RING    |
| 2        | HEP103P1-170 | SPOOL SHAFT         | 24       | HEP103P1-192 | RETAINING PLATE |
| 3        | HEP103P1-171 | SOLENOID            | 25       | HEP103P1-193 | BOLT            |
| 4        | HEP103P1-172 | PUSH PIN            | 26       | HEP103P1-194 | SPRING WASHER   |
| 5        | HEP103P1-173 | SPRING              | 27       | HEP103P1-195 | BLIND PLUG      |
| 6        | HEP103P1-174 | SPRING RECEIVER     | 28       | HEP103P1-196 | O-RING          |
| 7        | HEP103P1-175 | POSITIONING PIN     | 29       | HEP103P1-197 | CENTRE SPRING   |
| 8        | HEP103P1-176 | O-RING              | 30       | HEP103P1-198 | PARALLEL PIN    |
| 9        | HEP103P1-177 | O-RING              | 31       | HEP103P1-199 | SPRING PIN      |
| 10       | HEP103P1-178 | BLIND PLUG          | 32       | HEP103P1-200 | BACK UP RING    |
| 11       | HEP103P1-179 | CHECK VALVE BODY    | 33       | HEP103P1-201 | GAUGE ADAPTOR   |
| 12       | HEP103P1-180 | PISTON              | 34       | HEP103P1-202 | COPPER PACKING  |
| 13       | HEP103P1-181 | O-RING              | 35       | HEP103P1-203 | PRESSURE GAUGE  |
| 14       | HEP103P1-182 | BACK UP RING        | 36       | HEP103P1-204 | BOLT            |
| 15       | HEP103P1-183 | PUSH PIN            | 37       | HEP103P1-205 | MANIFOLD        |
| 16       | HEP103P1-184 | VALVE SEAT          | 38       | HEP103P1-206 | BLIND PLUG      |
| 17       | HEP103P1-185 | O-RING              | 39       | HEP103P1-207 | BLIND PLUG      |
| 18       | HEP103P1-186 | BACK UP RING        | 40       | HEP103P1-208 | EXPANDER        |
| 19       | HEP103P1-187 | VALVE SEAT RETAINER | 41       | HEP103P1-209 | EXPANDER        |
| 20       | HEP103P1-188 | STEEL BALL          | 42       | HEP103P1-210 | BOLT            |
| 21       | HEP103P1-189 | SPRING              | 43       | HEP103P1-211 | BOLT            |
| 22       | HEP103P1-190 | O-RING              | 44       | HEP103P1-212 | O-RING          |

**IMPORTANT**

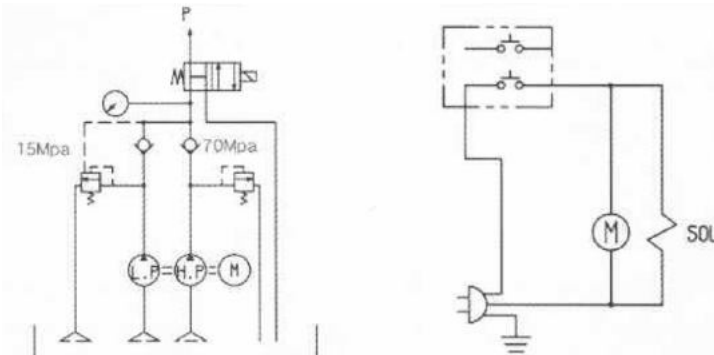
WHEN ORDERING SPARES YOU MUST STATE THE FULL PART NUMBER AND THE PRODUCT SERIAL NUMBER - FROM THE LABEL TO PROTECT YOUR WARRANTY ALWAYS USE GENUINE HI-FORCE PARTS.



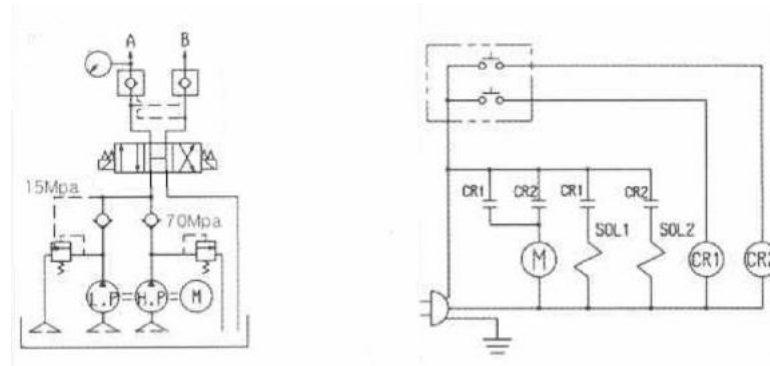
HEP103241LS AN HEP103242LS CIRCUITS



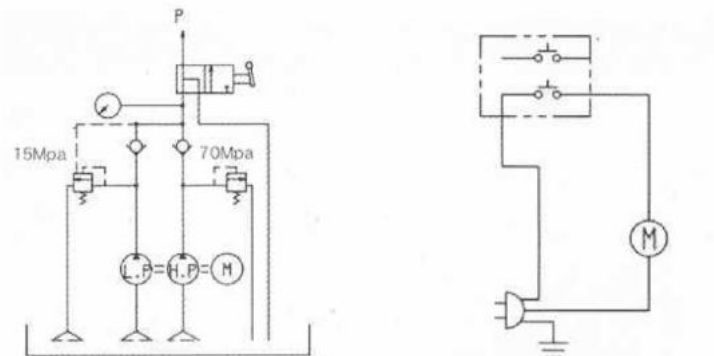
HEP103441 AN HEP103442 CIRCUITS



HEP103241S AN HEP103242S CIRCUITS



HEP103441LS AN HEP103442LS CIRCUITS



HEP103341 AN HEP103342 CIRCUITS

**IMPORTANT**

WHEN ORDERING SPARES YOU MUST STATE THE FULL PART NUMBER AND THE PRODUCT SERIAL NUMBER - FROM THE LABEL TO PROTECT YOUR WARRANTY ALWAYS USE GENUINE HI-FORCE PARTS.