

NKX 60 ZCombined needle roller / thrust ball bearing with a cover



Combined needle roller / thrust ball bearing with a cover

These bearings consist of a radial needle roller bearing combined with a thrust ball bearing. Together they can accommodate both radial loads and axial loads in one direction. In addition, they can operate at relatively high speeds. Their low cross-sectional height makes the bearings particularly suitable for applications where other types of locating bearing arrangements occupy too much space. The thrust part is capped with a cover that forms a gap-type seal to retain the grease in the bearings.

- Accommodate radial and axial loads in one direction
- High load carrying capacity
- Relatively high-speed capability
- Low cross section
- Non-separable design

Overview

Dimensions

Bore diameter	60 mm
Outside diameter	72 mm
Width	40 mm

Performance

Reference speed	3 600 r/min
Limiting speed	3 000 r/min

Properties

Rolling bearing type	Needle roller / thrust ball bearing
Bearing part	Radial part without inner ring
Thrust part	With cage
Radial part	With cage
Rolling element (thrust part)	Balls
Axial load capability	Single-direction

Tolerance class	Other
Material, bearing	Bearing steel
Coating	Without
Special feature	Thrust part with stamped steel cover without lubrication holes
Lubricant (thrust part)	Grease

Technical Specification

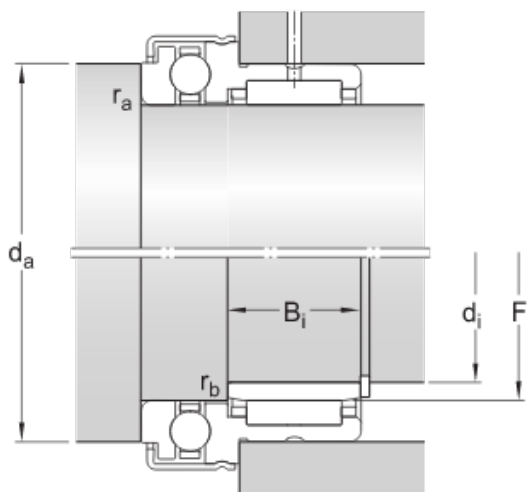


Dimensions

F_w	60 mm	Diameter under rollers
D	72 mm	Outside diameter
C	40 mm	Width
C_1	17 mm	Width of thrust part
C_1	12 mm	Distance side face to lubrication hole
d	60 mm	Bore diameter of thrust part
D_2	86.5 mm	Diameter of stamped steel cover
$r_{1,2}$	min. 1 mm	Chamfer dimension

Abutment dimensions

d_a	min. 80.5 mm	Diameter of shaft abutment
r_a	max. 1 mm	Radius of fillet
r_b	max. 1 mm	Radius of fillet
d_i	50 mm	Bore diameter of associated inner ring
F	60 mm	Diameter of inner ring raceway
B_i	25 mm	Width of associated inner ring



Calculation data

Basic dynamic load rating, radial	C	41.8 kN
Basic static load rating, radial	C_0	96.5 kN
Basic dynamic load rating, axial	C	41.6 kN
Basic static load rating, axial	C_0	122 kN
Fatigue load limit, radial	P_u	11.8 kN
Fatigue load limit, axial	P_u	4.55 kN
Minimum axial load factor	A	0.077

Reference speed	3 600 r/min
Limiting speed	3 000 r/min

Mass

Mass	0.38 kg
------	---------

Associated products

Inner ring	IR 50x60x25
------------	-------------

Terms and conditions

By accessing and using this website / app owned and published by AB SKF (publ.) (556007-3495 · Gothenburg) ("SKF"), you agree to the following terms and conditions:

Warranty Disclaimer and Limitation of Liability

Although every care has been taken to assure the accuracy of the information on this website / app, SKF provides this information "AS IS" and DISCLAIMS ALL WARRANTIES, EXPRESS OR IMPLIED, INCLUDING, BUT NOT LIMITED TO, IMPLIED WARRANTIES OF MERCHANTABILITY AND FITNESS FOR A PARTICULAR PURPOSE. You acknowledge that your use of this website / app is at your sole risk, that you assume full responsibility for all costs associated with use of this website / app, and that SKF shall not be liable for any direct, incidental, consequential, or indirect damages of any kind arising out of your access to, or use of the information or software made available on this website / app. Any warranties and representations in this website / app for SKF products or services that you purchase or use will be subject to the agreed upon terms and conditions in the contract for such product or service. Further, for non-SKF websites / apps that are referenced in our website / app or where a hyperlink appears, SKF makes no warranties concerning the accuracy or reliability of the information in these websites / apps and assumes no responsibility for material created or published by third parties contained therein. In addition, SKF does not warrant that this website / app or these other linked websites / apps are free from viruses or other harmful elements.

Third Party Services

When viewing YouTube content via the SKF website(s) (i.e. using YouTube API Services), you agree to be bound by the YouTube Terms of Service.

Copyright

Copyright in this website / app copyright of the information and software made available on this website / app rest with SKF or its licensors. All rights are reserved. All licensed material will reference the licensor that has granted SKF the right to use the material. The information and software made available on this website / app may not be reproduced, duplicated, copied, transferred, distributed, stored, modified, downloaded or otherwise exploited for any commercial use without the prior written approval of SKF. However, it may be reproduced, stored and downloaded for use by individuals without prior written approval of SKF. Under no circumstances may this information or software be supplied to third parties.

This website /app includes certain images used under license from Shutterstock, Inc.

Trademarks and Patents

All trademarks, brand names, and corporate logos displayed on the website / app are the property of SKF or its licensors, and may not be used in any way without prior written approval by SKF. All licensed trademarks published on this website / app reference the licensor that has granted SKF the right to use the trademark. Access to this website / app does not grant to the user any license under any patents owned by or licensed to SKF.

Changes

SKF reserves the right to make changes or additions to this website / app at any time.