

ITEM NO	HPF1020	HPF1030
1	PAS025DJ002	PAS025DJ002
2	HGA2	HGA2
3	HG10	HG10
4	PXC025CF001	PXC025CF001
5	HH2	HH2
6	CM1	CM1
7	STC030RA001	STC030RA001
8	PLA025DJ002	PLA025DJ002
9	ADC010CA007	ADC010CA007

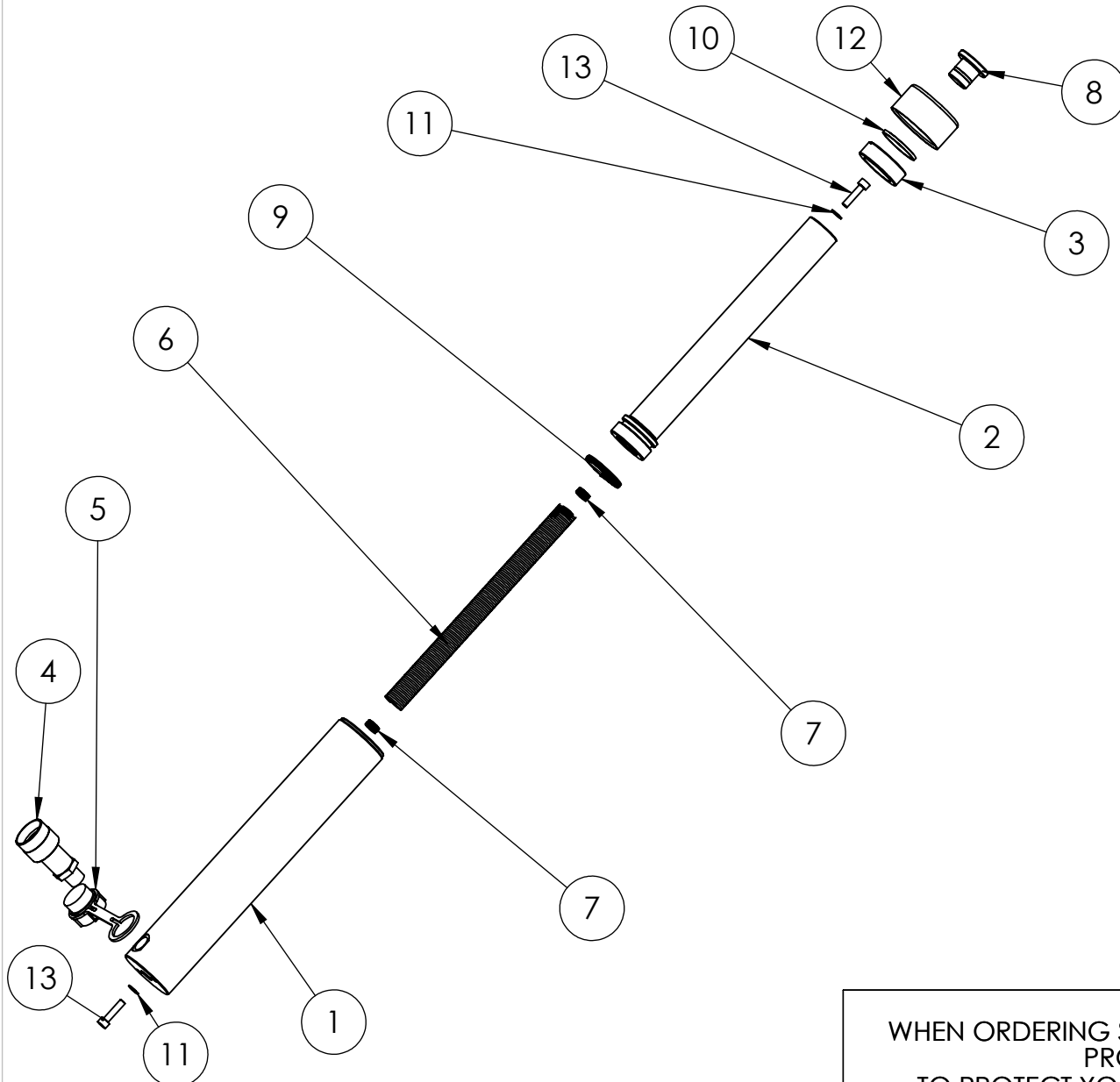
PART NO: HF16
CONNECTOR FOR REAR
OF PUMP.

NOTE: PUMP NOT SHOWN.

PUMP FOR HPF1020 IS HP110
PUMP FOR HPF1030 IS AHP1120

IMPORTANT

WHEN ORDERING SPARES YOU MUST STATE THE FULL PART NUMBER AND THE PRODUCT SERIAL NUMBER - FROM THE LABEL TO PROTECT YOUR WARRANTY ALWAYS USE GENUINE HI-FORCE PARTS.



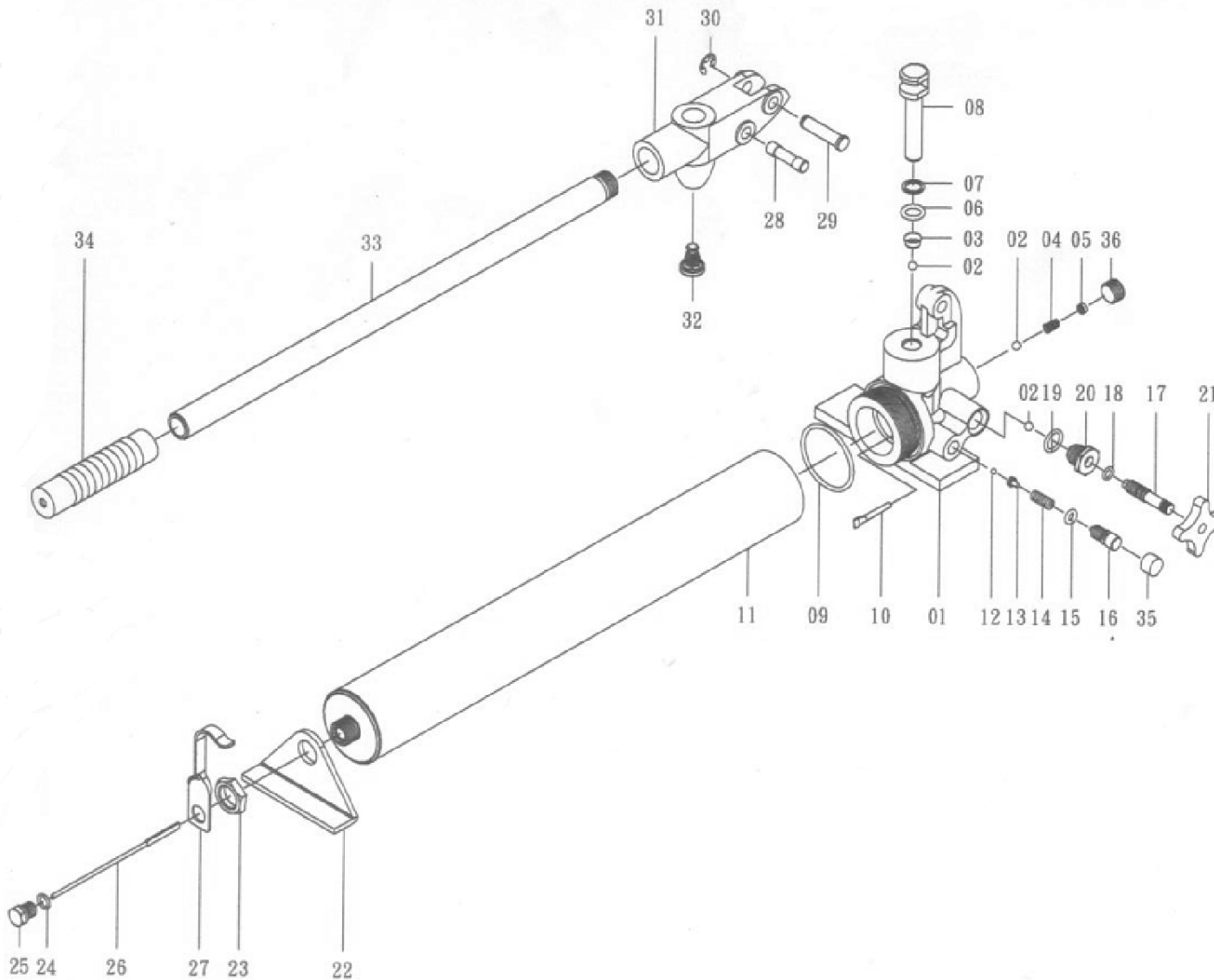
ITEM NO.	PART NUMBER	DESCRIPTION	QTY
1	CBC043SL002	CYLINDER	1
2	PRC043AL001	PISTON	1
3	SRC035WD003	STOP RING	1
4	CF1	COUPLER	1
5	BPC030PP001	DUST COVER	1
6	SPC022SL001	SPRING	1
7	SIC013TB001	INSERT	2
8	SAA022GB003	SADDLE ASSY	1
9	X	PISTON SEAL	1
10	X	WIPER	1
11	X	WASHER	2
12	PTP057TP010	THREAD PROTECTOR	1
13	BLC006JD025	CAP HD SCREW	2

ITEMS MARKED "X"
SUPPLIED IN HSS10TP1-K ONLY

NOTE: IF SPRING IS REPLACED
THE INSERTS SHOULD ALSO BE REPLACED

IMPORTANT

WHEN ORDERING SPARES YOU MUST STATE THE FULL PART NUMBER AND THE PRODUCT SERIAL NUMBER - FROM THE LABEL TO PROTECT YOUR WARRANTY ALWAYS USE GENUINE HI-FORCE PARTS.



REF	DESCRIPTION	PART NUMBER
01	PUMP HOUSING	HP110-1
02	BALL	X
03	FILTER	X
04	SPRING	X
05	SCREW	HP110-5
06	O-RING	X
07	BACK UP RING	X
08	PISTON	HP110-8
09	O-RING	X
10	FILTER	X
11	RESERVOIR	HP110-11
12	BALL	X
13	SPRING END CAP	X
14	SPRING	X
15	O-RING	X
16	COVER SCREW	X
17	RELEASE VALVE SCREW	RV
18	O-RING	X
19	O-RING	X
20	RELEASE NUT	RV
21	RELEASE KNOB	RV
22	FOOT	HP110-22
23	NUT	HP110-23
24	O-RING	X
25	SCREW	D
26	DIPSTICK	D
27	HOOK	HP110-27
28	PISTON PIN	HP110-28
29	YOKE PIN	HP110-29
30	RETAINING RING	X
31	YOKE	HP110-31
32	BUMPER	X
33	HANDLE	HP110-33
34	HANDLE GRIP	HP110-34
35	COVER	X
36	SCREW	HP110-36
38	RELEASE VALVE ASSEMBLY	HP110-38
39	DIPSTICK ASSEMBLY	HP110-39

ITEMS MARKED X ARE ONLY AVAILABLE IN HP110TP2-K SERVICE KIT.

ITEMS MARKED "RV" ARE ONLY AVAILABLE AS RELEASE VALVE ASSEMBLY - ITEM 38

ITEMS MARKED D ARE ONLY AVAILABLE AS DIPSTICK ASSEMBLY - ITEM 39

IMPORTANT

WHEN ORDERING SPARES YOU MUST STATE THE FULL PART NUMBER AND THE PRODUCT SERIAL NUMBER - FROM THE LABEL TO PROTECT YOUR WARRANTY ALWAYS USE GENUINE HI-FORCE PARTS.