



47631618001

Edition 1

June 2018

## IQ<sup>V20</sup> Cordless Impact Wrench Literature Pack



# User Manual

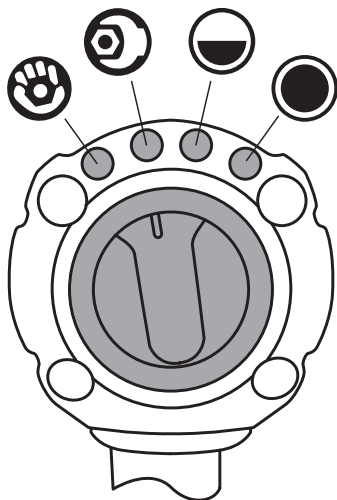
- |                                |                                      |
|--------------------------------|--------------------------------------|
| <b>EN</b> User Manual          | <b>SL</b> Uporabniški priročnik      |
| <b>ES</b> Manual del Usuario   | <b>SK</b> Používateľská príručka     |
| <b>FR</b> Manuel d'utilisation | <b>CS</b> Uživatelská příručka       |
| <b>IT</b> Manuale utente       | <b>ET</b> Kasutusjuhend              |
| <b>DE</b> Benutzerhandbuch     | <b>HU</b> Felhasználói kézikönyv     |
| <b>NL</b> Gebruiksaanwijzing   | <b>LT</b> Naudotojo vadovas          |
| <b>DA</b> Brugervejledning     | <b>LV</b> Lietotāja rokasgrāmata     |
| <b>SV</b> Användarmanual       | <b>PL</b> Instrukcja obsługi         |
| <b>NO</b> Brukermanual         | <b>BG</b> Ръководство за потребителя |
| <b>FI</b> Käyttöopas           | <b>RO</b> Manual de utilizare        |
| <b>PT</b> Manual do Usuário    | <b>RU</b> Руководство пользователя   |
| <b>EL</b> Εγχειρίδιο χρήσης    | <b>HR</b> Korisnički priručnik       |



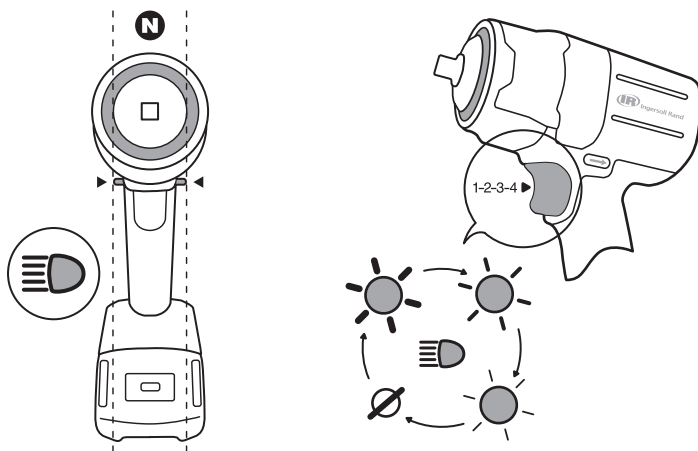
Save These Instructions

 **Ingersoll Rand**

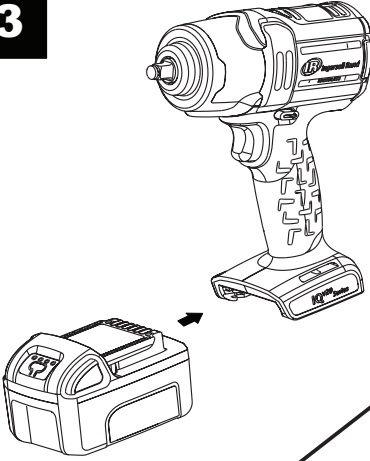
1



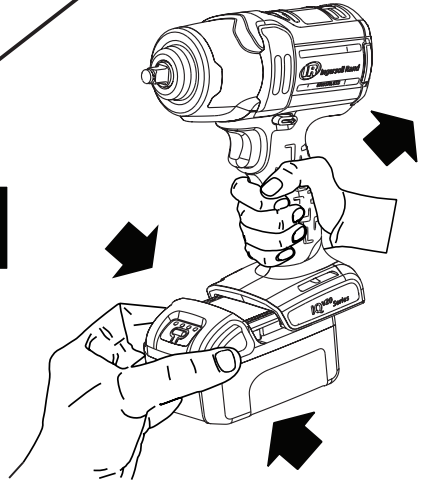
2



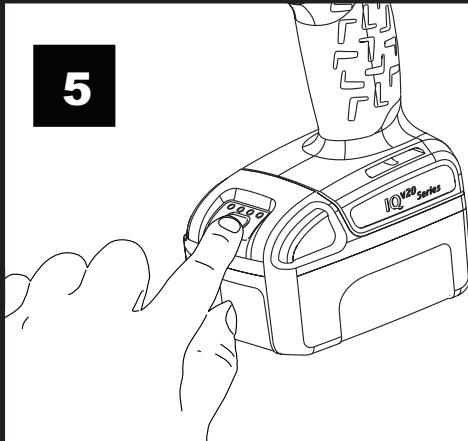
3



4



5



- ● ● ● = 100-75%
- ● ● = 75-50%
- ● = 50-25%
- = 25-10%
- ★ = 10-0%





## This section contains product safety information for

- IQ<sup>V20</sup> Cordless Impact Wrench
- IQ<sup>V20</sup> Battery
- IQ<sup>V20</sup> Battery Charger

## Product Safety Information

- |  |   |
|--|---|
| <b>EN</b> Product Safety Information                 | <b>SL</b> Informacije o varnem ravnanju z izdelkom              |
| <b>ES</b> Información de seguridad sobre el producto | <b>SK</b> Bezpečnostné informácie o výrobku                     |
| <b>FR</b> Informations de sécurité du produit        | <b>CS</b> Bezpečnostní informace o výrobku                      |
| <b>IT</b> Informazioni sulla sicurezza del prodotto  | <b>ET</b> Toote ohutusteave                                     |
| <b>DE</b> Hinweise zur Produktsicherheit             | <b>HU</b> A termék biztonságai információja                     |
| <b>NL</b> Productveiligheidsinformatie               | <b>LT</b> Gaminių saugos informacija                            |
| <b>DA</b> Produktsikkerhedsinformation               | <b>LV</b> Iekārtas drošības informācija                         |
| <b>SV</b> Produktsäkerhetsinformation                | <b>PL</b> Informacje dotyczące bezpieczeństwa obsługi narzędzia |
| <b>NO</b> Sikkerhetsinformasjon for produktet        | <b>BG</b> Информация за безопасността на продукта               |
| <b>FI</b> Tuotteen turvatiedot                       | <b>RO</b> Informații privind siguranța produsului               |
| <b>PT</b> Informações de Segurança do Produto        | <b>RU</b> Информация по безопасности при                        |
| <b>EL</b> Πληροφορίες ασφάλειας προϊόντος            | <b>HR</b> Opće informacije o sigurnosti proizvoda               |



Save These Instructions

**IR** Ingersoll Rand®

**ES**

Esta sección contiene información de seguridad de productos de

- IQ<sup>V20</sup> Aprietatuercas de percusión inalámbrico
- IQ<sup>V20</sup> Batería
- IQ<sup>V20</sup> Cargador de la batería

**FR**

Cette section contient des informations sur la sécurité des produits pour

- IQ<sup>V20</sup> Clé à chocs sans fil
- IQ<sup>V20</sup> Batterie
- IQ<sup>V20</sup> Carregador de baterias

**IT**

Questa sezione contiene informazioni di sicurezza sul prodotto per

- IQ<sup>V20</sup> Avvitatore a impulsi portatile
- IQ<sup>V20</sup> Batteria
- IQ<sup>V20</sup> Caricabatterie

**DE**

Dieser Abschnitt enthält Produktsicherheitsinformationen für

- IQ<sup>V20</sup> Kabelloser Schlagschrauber
- IQ<sup>V20</sup> Akku
- IQ<sup>V20</sup> Akkuladegerät

**NL**

Deze sectie bevat productveiligheidsinformatie voor

- IQ<sup>V20</sup> Snoerloze slagmoersleutel
- IQ<sup>V20</sup> Accu
- IQ<sup>V20</sup> Acculader

**DA**

Dette afsnit indeholder produktsikkerhedsoplysninger til

- IQ<sup>V20</sup> Ledningsfri slag nøgle
- IQ<sup>V20</sup> batteri
- IQ<sup>V20</sup> Batterioplader

**SV**

Det här avsnittet innehåller information om produktsäkerhet för

- IQ<sup>V20</sup> Sladdlös slående muttermaskin
- IQ<sup>V20</sup> Batteri
- IQ<sup>V20</sup> Batteriladdare

**NO**

Dette avsnittet inneholder produktsikkerhets informasjon for

- IQ<sup>V20</sup> Trådløs slag nøkkel
- IQ<sup>V20</sup> Batteri
- IQ<sup>V20</sup> Batterilader

**FI**

Tässä osiossa on tuoteturvatietoja tuotteelle

- IQ<sup>V20</sup> Johdoton impaktiivain
- IQ<sup>V20</sup> Akku
- IQ<sup>V20</sup> Akkulaturi

**PT**

Esta secção contém informações sobre segurança do produtos para:

- IQ<sup>V20</sup> Chave de Impacto Sem Fios
- IQ<sup>V20</sup> Bateria
- IQ<sup>V20</sup> Carregador de baterias

**EL**

Σε αυτή την ενότητα περιέχονται πληροφορίες ασφάλειας προϊόντος για

- IQ<sup>V20</sup> Κρουστικό Δραπανοκατσαβίδο Μηταρίας
- IQ<sup>V20</sup> Μηταρία
- IQ<sup>V20</sup> Φορτιστής Μηταρίας

**SL**

To poglavje vsebuje varnostne informacije o izdelku za

- IQ<sup>V20</sup> Brežžični udarni ključ

- IQ<sup>V20</sup> Baterija
- IQ<sup>V20</sup> Polnilnik baterij

**SK**

V tejto časti sa uvádzajú bezpečnostné informácie o výrobku pre

- Bezdrôtový rázový uťahovák
- IQ<sup>V20</sup> Akumulátor
- IQ<sup>V20</sup> Nabíjačka akumulátora

**CS**

Tato část obsahuje bezpečnostní informace o produktech

- IQ<sup>V20</sup> Akumulátorový rázový uťahovák
- IQ<sup>V20</sup> Baterie
- IQ<sup>V20</sup> Nabíječka baterií

**ET**

Selles jaotises kirjeldatakse tooteohutust

- IQ<sup>V20</sup> Juhtmeta löökmutrivõti
- IQ<sup>V20</sup> Aku
- IQ<sup>V20</sup> Akulaadur

**HU**

Ez a rész termékbiztonsági információt tartalmaz a következőkhöz:

- IQ<sup>V20</sup> Vezeték nélküli ütvecsavarozó
- IQ<sup>V20</sup> AKKUMULÁTOR
- IQ<sup>V20</sup> Akkumulátortöltő

**LT**

Šiame skyriuje pateikiama gaminio saugos informacija, skirta

- IQ<sup>V20</sup> Akumuliatorinis smūginis veržliasukis
- IQ<sup>V20</sup> Akumuliatorius
- IQ<sup>V20</sup> Akumuliatorių kroviklis

**LV**

Šajā sadaļā ir drošības informācija par izstrādājumu

- IQ<sup>V20</sup> Bezvadu trieciena uzgriežņatslēga
- IQ<sup>V20</sup> Akumulators
- IQ<sup>V20</sup> Akumulatora lādētājs

**PL**

Niniejszy rozdział zawiera informacje dotyczące bezpieczeństwa produktu

- IQ<sup>V20</sup> Beprzewodowy klucz udarowy
- IQ<sup>V20</sup> Battery
- IQ<sup>V20</sup> Battery Charger

**BG**

Този раздел съдържа информация за безопасност на продукта за

- IQ<sup>V20</sup> Безжичен ударен гаечен ключ
- IQ<sup>V20</sup> батерия
- IQ<sup>V20</sup> Зарядно устройство за батерия

**RO**

Această secțiune conține informații privind siguranța produsului pentru

- IQ<sup>V20</sup> Mașină de găurit/Șurubelniță cu acumulatori
- IQ<sup>V20</sup> Baterie
- IQ<sup>V20</sup> Bateria încărcător

**RU**

Этот раздел содержит информацию по технике безопасности для

- IQ<sup>V20</sup> Беспроводной импульсный гайковерт
- IQ<sup>V20</sup> Аккумуляторная батарея
- IQ<sup>V20</sup> Зарядное устройство

**HR**

Ovaj odjeljak sadrži informacije o sigurnosti proizvoda za

- IQ<sup>V20</sup> Akumulatorski udarni zatezač
- IQ<sup>V20</sup> baterija
- IQ<sup>V20</sup> punjač baterije

## Product Description

A Cordless Impact Wrench is a battery powered, hand-held, power tool that utilizes rotary impacts to tighten or loosen threaded fasteners through specially hardened detachable sockets.

### WARNING

#### General Safety Rules

- **Warning!** Read all safety warnings and all instructions. Failure to follow the warnings and instructions may result in electric shock, fire and/or serious injury. Save all warnings and instructions for future reference. The term "power tool" in all the warnings listed below refers to your mains operated (corded) power tool or battery operated (cordless) power tool.
- **It is your responsibility to make this safety information available to others that will operate this product.** Failure to follow standards and regulations can cause personal injury.
- **Always install, operate, inspect and maintain this product in accordance with all applicable standards and regulations (local, state, country, federal, etc.).** Compliance is your responsibility. Failure to follow standards and regulations can cause personal injury.

#### Work area safety

- **Keep your work area clean and well lit.** Cluttered benches and dark areas invite accidents.
- **Do not operate power tools in explosive atmospheres, such as in the presence of flammable liquids, gases, or dust.** Power tools create sparks which may ignite the dust or fumes.
- **Keep children and bystanders away while operating a power tool.** Distractions can cause you to lose control.
- **Be aware of buried, hidden or other hazards in your work environment. Do not contact or damage cords, conduits, pipes or hoses that may contain electrical wires, explosive gases or harmful liquids.** Electric shock, fire or personal injury may result.

#### Electrical safety

- **Power tool plugs must match the outlet. Never modify the plug in any way. Do not use any adapter plugs with earthed (grounded) power tools.** Unmodified plugs and matching outlets will reduce risk of shock.
- **Avoid body contact with earthed or grounded surfaces such as pipes, radiators, ranges and refrigerators.** There is an increased risk of electric shock if your body is earthed or grounded.
- **Do not expose power tools to rain or wet conditions.** Water entering a power tool will increase the risk of electric shock.
- **Do not abuse the cord. Never use the cord for carrying, pulling or unplugging the power tool. Keep cord away from heat, oil, sharp edges or moving parts.** Damaged or entangled cords increase the risk of electric shock.
- **When operating a power tool outdoors, use an extension cord suitable for outdoor use.** Use of a cord suitable for outdoor use reduces the risk of electric shock.
- **If operating a power tool in a damp location is unavoidable, use a residual current device (RCD) protected supply.** Use of an RCD reduces the risk of electric shock.
- **Always use specified supply voltage.** Incorrect voltage can cause electrical shock, fire, abnormal operation and may result in personal injury.
- **Be sure all electric cords & cables are the correct size & all plugs & connectors are tightly secured.** Under-sized wire and loose connections can cause electrical shock, fire and may result in personal injury.

#### Personal safety

- **Stay alert, watch what you are doing and use common sense when operating a power tool. Do not use power tool while tired or under the influence of drugs, alcohol, or medication.** A moment of inattention while operating power tools may result in serious personal injury.
- **Use safety equipment. Always wear eye protection.** Safety equipment such as dust mask, non-skid safety shoes, hard hat, or hearing protection used for appropriate conditions will reduce personal injuries.
- **Avoid accidental starting. Be sure the switch is in the off position before plugging in.** Carrying power tools with your finger on the switch or plugging in power tools that have the switch on invites accidents.
- **Remove any adjusting key or wrench before turning the power tool on.** A wrench or a key that is left attached to a rotating part of the power tool may result in personal injury.
- **Do not overreach. Keep proper footing and balance at all times.** This enables better control of the power tool in unexpected situations.
- **Dress properly. Do not wear loose clothing or jewelry. Contain long hair. Keep your hair, clothing, and gloves away from moving parts.** Loose clothes, jewelry, or long hair can be caught in moving parts.
- **If devices are provided for the connection of dust extraction and collection facilities, ensure these are connected and properly used.** Use of these devices can reduce dust related hazards.
- **Use clamps or other practical way to secure and support the workpiece to a stable platform.** Holding the work by hand or against your body is unstable and may lead to loss of control.
- **Prevent exposure and breathing of harmful dust and particles created by power tool use.**
  - Some dust created by power sanding, sawing, grinding, drilling, and other construction activities contains chemicals known to cause cancer, birth defects or other reproductive harm. Some examples of these chemicals are:
    - Lead from lead based paints,
    - Crystalline silica from bricks and cement and other masonry products, and
    - Arsenic and chromium from chemically treated lumber.
  - Your risk from these exposures varies, depending on how often you do this type of work. To reduce your exposure to these chemicals: work in a well ventilated area, and work with approved safety equipment, such as those dust masks that are specially designed to filter out microscopic particles.
- **Stop using any tool if discomfort, tingling feeling or pain occurs.** Vibration, repetitive motions or uncomfortable positions may be harmful to your hands and arms. Power tools can vibrate in use. Seek medical advice before resuming use.
- **The vibration emission during actual use of power tool can differ from the declared value depending on the ways in which the tool is used.** Take appropriate safety measure to protect the operator, based on an estimation of exposure during actual usage.
- **Avoid contact with moving parts of tool.** Tool and/or accessories may briefly continue their motion after power is removed creating a risk of entanglement or other personal injury.

## Power tool use and care

- **Do not force the power tool. Use the correct power tool for your application.** The correct power tool will do the job better and safer at the rate for which it is designed.
- **Do not use the power tool if the switch does not turn it on or off.** Any power tool that cannot be controlled by the switch is dangerous and must be repaired.
- **Disconnect the plug from the power source before making any adjustments, changing accessories, or storing the power tool.** Such preventive safety measures reduce the risk of starting the tool accidentally.
- **Store idle power tools out of the reach of children and do not allow persons unfamiliar with the power tool or these instructions to operate the power tool.** Tools are dangerous in the hands of untrained users.
- **Maintain power tools** Check for misalignment or binding of moving parts, breakage of parts, and any other condition that may affect the power tools operation. If damaged, have the power tool serviced before using. Many accidents are caused by poorly maintained power tools.
- **Keep cutting tools sharp and clean.** Properly maintained tools with sharp cutting edges are less likely to bind and are easier to control. Keep handles clean and dry to maintain control.
- **Use the power tool, accessories and tool bits etc., in accordance with these instructions and in the manner intended for the particular type of power tool, taking into account the working conditions and the work to be performed.** Use of the power tool for operations different from intended could result in a hazardous situation.
- **When wearing gloves always be sure that the gloves will not prevent the throttle mechanism from being released.** Personal injury may result.
- **Do not remove any labels. Replace any damaged label.** Labels provide information required for safe use of the product.

## Battery use and care

- **Recharge only with the charger specified by the manufacturer.** A charger that may be suitable for one type of battery may create a risk of fire when used with another battery.
- **Use power tools only with specifically designated battery pack.** Use of any other battery pack may create a risk of injury and fire.
- **When battery pack is not in use, keep it away from other metal objects like: paper clips, coins, keys, nails, screws, or other small metal objects that can make a connection from one terminal to another.** Shorting the battery terminals together may cause burns or a fire.
- **Under abusive conditions, liquid may be ejected from the battery; avoid contact. If contact accidentally occurs, flush with water. If liquid contacts eyes additionally, seek medical help.** Liquid ejected from the battery may cause irritation or burns.
- **Ensure switch is in the off position before inserting battery pack.** Inserting the battery pack into power tool with the switch on invites accidents.
- **Disconnect battery pack from tool or place the switch in a locked off position before making any adjustments or changing accessories.** Such preventive safety measures reduce the risk of starting the tool accidentally.
- **Electric tools will overheat if they remain on when the tool motor is severely loaded, stalled or otherwise kept from rotating. Turn tool off when this occurs.** Continuing to power tool in this condition may result in heat, smoke or fire with injury or property damage.
- **Disconnect battery pack from tool before storing tool or placing in a tool box or bag. Accidental starting while storing or transporting may cause several hazardous conditions including an overheated tool.** Uncontrolled tool operation may cause various hazards including heat, smoke or fire.
- **Do not block the housing cooling air holes as this may cause overheating of the tool.** Use of the tool in this condition may result in heat, smoke or fire with injury or property damage.
- **The tool may overheat during continuous use or other severe duty cycles. Immediately stop operation and let the tool cool if any part of the tool becomes too hot to touch or if there is any indication of smoke from the motor.** Continuing to use the tool under these conditions will cause tool damage and may result in injury or property damage from heat or fire.
- **Immediately stop use and replace any battery that gets excessively warm in use or offers very short usage times.** Typically these batteries have a high number of charge/discharge cycles or may be old or damaged. Continuing to use an impaired battery may result in injury or property damage from heat, fire or explosion.
- **Do not modify this tool, safety devices, or accessories.** Unauthorized modifications may result in electric shock, fire or personal injury.
- **Use only accessories that are recommended by Ingersoll Rand for your model.** Accessories that may be suitable for one tool, may become hazardous when used on another tool.
- **Do not remove any labels. Replace any damaged label.** Labels provide information required for safe use of the product.

## Service

- **Have your power tool serviced by qualified repair person using only identical replacement parts.** This will ensure that the safety of the power tool is maintained.
- **When servicing a tool, use only genuine Ingersoll Rand replacement parts and follow all Maintenance Instructions.** Use of unauthorized parts or failure to follow Maintenance Instructions may create a risk of electric shock or injury.
- **Do not dispose of batteries in fire, incinerate or heat above 100° C (212° F).** Batteries present a risk of fire or chemical burn if mistreated.
- **Responsibly recycle or dispose of batteries in accordance with all applicable standards and regulations (local, state, country, federal, etc.).** Improper disposal may endanger the environment.

## ⚠ WARNING

## Product Specific Safety Rules

- **Hold tool by insulating gripping surfaces when performing an operation where the cutting tool may contact hidden wiring.** Contact with a "live" wire will also make exposed metal parts of the tool "live" and shock the operator.
- **For reversible models, note the position of the reversing mechanism before operating.** Knowledge of the direction of rotation helps in maintaining control of the tool.
- **Use only impact sockets and accessories.** Do not use hand (chrome) sockets or accessories. They may break in use and cause injury.
- **Periodically check the drive end of the tool to make certain that the socket retainer functions correctly, and that sockets and drive ends are not excessively worn.** Either condition may allow the socket to come off when rotating.

- **Impact Wrenches are not torque wrenches. Connections requiring specific torque must be checked with a torque meter after fitting with an impact wrench.** Improperly torqued fasteners may loosen and cause injury.
- **Exposed throttles shall not be used where obstructions can hold the throttle in the “on” position.** You may not be able to turn the tool off.
- **Do not shine the beam into the eyes of a person or animal.** Bright light may injure eyes.

---

## Product Safety Information: Battery

### Product Description

A Battery is an electric energy storage device used as the power source for **Ingersoll Rand** Cordless Products.

---



#### General Battery Safety Warnings

- **Warning! Read all safety warnings and all instructions.** Failure to follow the warnings and instructions may result in electric shock, fire and/or serious injury.
- **Save all warnings and instructions for future reference.**
- **It is your responsibility to make this safety information available to others that will operate this product.** Failure to follow standards and regulations can cause personal injury.
- **Always install, operate, inspect and maintain this product in accordance with all applicable standards and regulations (local, state, country, federal, etc.).** Compliance is your responsibility. Failure to follow standards and regulations can cause personal injury.
- The term “power tool” in the warnings refers to your battery-operated (cordless) power tool.

#### Electrical Safety

- **Do not expose batteries or power tools to rain or wet conditions.** Water entering a battery or power tool will increase the risk of electric shock.

#### Personal Safety

- **Do not modify this product, safety devices, or accessories.** Unauthorized modifications may result in electric shock, fire or personal injury.

#### Battery and Power Tool Use and Care

- **Store idle batteries and power tools out of the reach of children and do not allow persons unfamiliar with the battery or power tool or these instructions to operate the battery or power tool.** Batteries and power tools are dangerous in the hands of untrained users.
- **Use the battery, power tool, accessories and tool bits etc. in accordance with these instructions, taking into account the working conditions and the work to be performed.** Use of the battery or power tool for operations different from those intended could result in a hazardous situation.
- **Recharge only with the charger specified by the manufacturer.** A charger that is suitable for one type of battery pack may create a risk of fire when used with another battery pack. See Charger Product Information manual for additional charger specific warnings.
- **Use power tools only with specifically designated battery packs.** Use of any other battery packs may create a risk of injury and fire.
- **When battery pack is not in use, keep it away from other metal objects, like paper clips, coins, keys, nails, screws or other small metal objects, that can make a connection from one terminal to another.** Shorting the battery terminals together may cause burns or a fire.
- **Under abusive conditions, liquid may be ejected from the battery; avoid contact. If contact accidentally occurs, flush with water. If liquid contacts eyes, additionally seek medical help.** Liquid ejected from the battery may cause irritation or burns.
- **Immediately stop use and replace any battery that gets excessively warm in use or offers very short usage times.** Typically these batteries have a high number of charge/discharge cycles or may be old or damaged. Continuing to use an impaired battery may result in injury or property damage from heat, fire or explosion.
- **Do not remove any labels. Replace any damaged label.** Labels provide information required for safe use of the product.
- **Do not subject batteries to mechanical shock.**
- **Do not leave a battery on prolonged charge when not in use.**
- **When possible, remove the battery from the equipment when not in use.**
- **Do not use batteries which have been physically damaged.**

#### Service

- **Do not dispose of batteries in fire, incinerate or heat above 100°C (212°F).** Batteries present a risk of fire or chemical burn if mistreated.
- **Responsibly recycle or dispose of batteries in accordance with all applicable standards and regulations (local, state, country, federal, etc.).** Improper disposal may endanger the environment.
- **Do not open cover or casing. There are no user serviceable items inside.** Electric shock or other personal injury may result.

---

## Product Safety Information: Battery Charger

### Product Description

A Battery Charger is an electrical device that converts alternating current electric power to direct current electric power used to charge electric storage batteries.

---

 **WARNING**

### General Safety Rules

- **Read and understand all instructions.** Failure to follow all instructions listed below, may result in electric shock, fire and/or serious personal injury.
- **It is your responsibility to make this safety information available to others that will operate this product.** Failure to follow standards and regulations can cause personal injury.
- **Always install, operate, inspect and maintain this product in accordance with all applicable standards and regulations (local, state, country, federal, etc.).** Compliance is your responsibility. Failure to follow standards and regulations can cause personal injury.
- **Children should be supervised to ensure they do not use or play with this Product.**
- **This product is not intended for use by persons with reduced physical, sensory or mental capabilities, or lack of experience and knowledge, unless they have been given supervision or instruction concerning use of the appliance by a person responsible for their safety.**

### Work area safety

- **Do not operate battery charger in explosive atmospheres, such as in the presence of flammable liquids, gases, or dust.** A battery charger may create sparks which may ignite the dust or fumes.

### Electrical Safety

- Double insulation eliminates the need for the three wire grounded power cord and grounded power supply system.
- **Do not abuse the cord. Never use the cord for carrying, pulling or unplugging the power tool. Keep cord away from heat, oil, sharp edges or moving parts.** Damaged or entangled cords increase the risk of electric shock.
- **A battery powered product with integral batteries or a separate battery pack must be recharged only with the specified charger for the battery.** A charger that may be suitable for one type of battery may create a risk of fire when used with another battery.
- **Charger is for Indoor Use Only. Do not expose charger to rain. Do not use charger in damp or wet locations.** Electric shock or other personal injury may result.
- **Always use specified supply voltage.** Incorrect voltage can cause electrical shock, fire, abnormal operation and may result in personal injury.
- **Avoid contacting the battery charging terminals with fingers, wire or other conductive material. Only connect to approved Ingersoll Rand battery.** Electric shock or other personal injury may result.
- **Do not attempt to recharge non-rechargeable batteries.** Electric shock, fire or personal injury may result.

### Personal Safety

- **Do not modify this product, safety devices, or accessories.** Unauthorized modifications may result in electric shock, fire or personal injury.
- **Do not use this product for purposes other than those recommended.** Electric shock, fire or other personal injury may result.
- **Locate the charger in a stable position prior to plugging into a power source. Keep the charger out of reach of children.** Improper location or use by children may result in electric shock, fire or personal injury.

### Use and Care

- **Never use a damaged or malfunctioning charger. Immediately unplug charger and get it repaired or replaced.** Continued use may result in electric shock, fire or personal injury.
- **Do not remove any labels. Replace any damaged label.** Labels provide information required for safe use of the product.

### Service

- **Service must only be performed by an Authorized Ingersoll Rand Servicenter or similarly qualified repair personnel.** Service or maintenance performed by unqualified personnel could result in a risk of injury. Consult your nearest **Ingersoll Rand** Authorized Servicenter.
- **Do not open cover or casing. There are no user serviceable items inside.** Electric shock or other personal injury may result.
- **If the supply cord is damaged, it must be replaced by an Ingersoll Rand Authorized Servicenter or similarly qualified repair personnel.** Damaged and improperly installed cords increase the risk of electric shock.

**NOTICE**

Refer to Product Information Manual for Model Specific Safety Information.

**Safety Symbol Identification**

Risk of explosion.  
Follow all safety  
procedures for use.



Wear Eye  
Protection



Wear Hearing  
Protection



Read Manuals Before  
Operating Product



(Dwg. 16589525)

**Safety Information - Explanation of Safety Signal Words****DANGER**

Indicates an imminently hazardous situation which, if not avoided, will result in death or serious injury.

**WARNING**

Indicates a potentially hazardous situation which, if not avoided, could result in death or serious injury.

**CAUTION**

Indicates a potentially hazardous situation which, if not avoided, may result in minor or moderate injury or property damage.

**NOTICE**

Indicates information or a company policy that relates directly or indirectly to the safety of personnel or protection of property.

**Product Parts Information****CAUTION**

**The use of other than genuine Ingersoll Rand replacement parts may result in safety hazards, decreased tool performance and increased maintenance, and may invalidate all warranties.**

**Repairs should be made only by authorized trained personnel. Consult your nearest Ingersoll Rand authorized Service Center.**

Original instructions are in English. Other languages are a translation of the original instructions.

Manuals can be downloaded from [ingersollrandproducts.com](http://ingersollrandproducts.com).

Refer all communications to the nearest **Ingersoll Rand** Office or Distributor.

## Descripción del Producto

Un aprietatuercas inalámbrico de percusión es una herramienta motorizada portátil que funciona con baterías y emplea impactos rotatorios para apretar o aflojar elementos de sujeción, utilizando para ello adaptadores desmontables endurecidos especiales.

### ADVERTENCIA

## Normas Generales de Seguridad

- **Aviso!** Lea todas las instrucciones. Si no se siguen las instrucciones descritas más adelante, pueden producirse descargas eléctricas, incendios o lesiones corporales graves. Guarde todos los avisos e instrucciones para su futura consulta. El término "herramienta motorizada" de todos los avisos que se muestran a continuación hace referencia a la herramienta motorizada que funciona mediante la red de suministro (con cable) o la que funciona con batería (sin cable).
- **Es su responsabilidad poner esta información de seguridad a disposición de quienes vayan a utilizar el aparato.** Si no se siguen estas regulaciones y estándares, pueden producirse lesiones corporales.
- **Instale, utilice, inspeccione y conserve siempre este producto de acuerdo con todas las regulaciones y estándares aplicables (locales, estatales, nacionales, federales, etc.).** Su cumplimiento es responsabilidad suya. Si no se siguen estas regulaciones y estándares, pueden producirse lesiones corporales.

## Seguridad en el área

- **Mantenga la zona de trabajo limpia y bien iluminada.** Un área de trabajo sucia o con una mala iluminación puede provocar accidentes.
- **No utilice herramientas motorizadas en entornos potencialmente explosivos, como líquidos, gases o polvos inflamables.** Las herramientas motorizadas originan chispas que pueden inflamar el polvo o los vapores.
- **Mantenga alejados a visitantes y niños mientras utilice la herramienta motorizada.** Una distracción puede hacer que pierda el control.
- **Tenga en cuenta los peligros ocultos o de cualquier otro tipo en el entorno de trabajo. Tenga cuidado de no dañar o hacer contacto con cables, conductos, tuberías o mangueras que puedan contener hilos eléctricos, gases explosivos o líquidos nocivos.** Pueden producirse descargas eléctricas, incendios o lesiones corporales.

## Seguridad Eléctrica

- **Las conexiones de la herramienta motorizada deben coincidir con la salida. No modifique el enchufe de ningún modo. No utilice enchufes de adaptación para herramientas motorizadas conectadas a tierra.** Si no modifica los enchufes y utiliza las salidas correspondientes, reducirá el riesgo de descargas eléctricas.
- **Evite el contacto directo con superficies conectadas a tierra, como tuberías, radiadores, cadenas o refrigeradores.** Si el usuario entra en contacto con algún elemento con conexión a tierra, existe un gran riesgo de sufrir descargas eléctricas.
- **No permita que las herramientas motorizadas queden expuestas a la lluvia o a entornos de elevada humedad.** El contacto del agua con la herramienta motorizada incrementa el riesgo de que el usuario sufra descargas eléctricas.
- **No fuerce el cable. No utilice nunca el cable para arrastrar, tirar o desconectar la herramienta. Manténgalo alejado del calor, aceites, bordes afilados o piezas móviles.** Un cable dañado o enredado aumenta el riesgo de descarga eléctrica.
- **Al utilizar la herramienta motorizada en el exterior, utilice un cable alargador adecuado para el uso exterior.** El uso de un cable adecuado para el uso exterior reduce el riesgo de sufrir descargas eléctricas.
- **Si es inevitable utilizar una herramienta eléctrica en un lugar húmedo, utilice una alimentación protegida por un dispositivo de corriente residual (RCD).** El uso de un RCD reduce el riesgo de cortocircuito eléctrico.
- **Utilice siempre la tensión eléctrica de alimentación especificada.** Una tensión eléctrica inadecuada puede provocar descargas eléctricas, incendios, funcionamiento anormal y lesiones corporales.
- **Asegúrese de que todos los cables eléctricos sean del tamaño correcto y de que todos los enchufes y conectores estén bien fijados.** Los cables con tamaño incorrecto y las conexiones que no estén bien fijadas pueden provocar descargas eléctricas, incendios y lesiones personales.

## Seguridad Personal

- **Permanezca alerta, preste atención a lo que hace y use el sentido común cuando utilice una herramienta motorizada. No utilice una herramienta motorizada si se encuentra cansado o bajo el efecto de drogas, alcohol o medicamentos.** Un momento de distracción mientras utiliza una herramienta motorizada puede provocar una lesión corporal grave.
- **Utilice un equipo de seguridad. Utilice siempre protección ocular.** El uso de equipamientos de seguridad, como mascarillas contra el polvo, zapatos seguros que no resbalen, un caso duro y protección para los oídos en las ocasiones adecuadas reducirá el riesgo de sufrir daños personales.
- **Evite el encendido accidental de la herramienta. Asegúrese de que el interruptor está apagado antes de conectarla.** El transporte de herramientas motorizadas con el dedo sobre el interruptor de encendido o la conexión de herramientas motorizadas con el interruptor en la posición de conexión incrementa el riesgo de accidentes.
- **Extraiga cualquier llave de ajuste antes de encender la herramienta motorizada.** Una llave unida a una parte móvil de la herramienta motorizada puede provocar lesiones corporales.
- **No fuerce la postura. Manténgase en posición firme y en equilibrio en todo momento.** De este modo, podrá controlar mejor la herramienta motorizada en situaciones inesperadas.
- **Utilice ropa adecuada. No lleve ropa suelta ni joyas. Recójase el pelo si lo lleva largo. Mantenga el pelo, la ropa y los guantes alejados de las piezas móviles.** La ropa suelta, las joyas o el pelo largo pueden engancharse en las piezas móviles.
- **Si los dispositivos cuentan con una conexión para sistemas de recogida y extracción de polvo, asegúrese de que ésta se utilice y se emplee de forma adecuada.** El uso de estos dispositivos puede reducir los riesgos derivados de la emisión de polvo.
- **Utilice mordazas u otros medios prácticos para asegurar y apoyar la pieza de trabajo en una superficie estable.** Sujetar la pieza trabajada con la mano o contra su cuerpo resulta inestable y puede provocar que pierda el control.

- **Evite respirar el polvo y las partículas nocivas que se producen al utilizar la herramienta, así como exponerse a ellos.**
  - Ciertos tipos de polvo que se producen al lijar, serrar, rectificar o taladrar y durante otras actividades de la construcción contienen sustancias químicas que causan cáncer, defectos de nacimiento y alteraciones en el sistema reproductor. A continuación, se describen algunos ejemplos de estas sustancias químicas:
    - El plomo de las pinturas con base de plomo
    - La sílice cristalina de ladrillos y hormigón y otros productos asociados con la albañilería
    - El arsénico y el cromo que produce la madera sometida a tratamientos químicos
  - El riesgo que representa una exposición de este tipo varía según la frecuencia con que se realice este tipo de trabajo. Para reducir la exposición a estas sustancias químicas: Trabaje en una zona bien ventilada y utilice un equipo de protección homologado, por ejemplo, una mascarilla especialmente diseñada para filtrar partículas microscópicas.
- **En caso de incomodidad, sensación de hormigueo o dolor, deje de usar la herramienta.** La vibración, los movimientos repetitivos o las posiciones incómodas pueden dañar brazos y manos. Las herramientas eléctricas pueden vibrar durante el uso. Consulte con el médico antes de volver a utilizarlas.
- **La emisión de vibraciones durante el uso real de la herramienta eléctrica puede diferir del valor declarado según la manera en que se utilice la herramienta.** Adopte medidas de seguridad apropiadas para proteger al operador en base a una estimación de la exposición durante la utilización real.
- **Evite el contacto con las piezas móviles de la herramienta.** Las herramientas y sus accesorios pueden continuar funcionando brevemente después de apagarse y provocar enredos y otras lesiones corporales.

### Utilización y Cuidado de la Herramienta Motorizada

- **No fuerce la herramienta motorizada. Utilice la herramienta motorizada correcta para su cometido.** La herramienta motorizada correcta realizará el trabajo mejor y de manera más segura a la velocidad para la que ha sido diseñada.
- **No utilice la herramienta motorizada si el interruptor no se desliza a la posición de encendido o de apagado.** Cualquier herramienta motorizada que no pueda controlarse con el interruptor resulta peligrosa y debe repararse.
- **Desconecte la herramienta de la alimentación eléctrica antes de llevar a cabo cualquier ajuste, cambio de accesorios o almacenaje de la herramienta motorizada.** Estas medidas preventivas de seguridad reducen el riesgo de encender la herramienta de forma accidental.
- **Guarde las herramientas motorizadas que no estén en uso fuera del alcance de los niños y no permita que manejen la herramienta personas que no estén familiarizadas con ella o con estas instrucciones.** Las herramientas resultan peligrosas en manos de usuarios que no están capacitados para manejarlas.
- **Mantenimiento de las herramientas motorizadas: compruebe que las piezas móviles no están desalineadas ni atascadas, que las piezas no están rotas y cualquier otra condición que pueda afectar a su funcionamiento. Si están dañadas, repare la herramienta motorizada antes de utilizarla.** Muchos accidentes son el resultado de herramientas motorizadas mal cuidadas.
- **Mantenga limpias y afiladas las herramientas cortantes.** Las herramientas que están bien cuidadas y con los filos afilados no se atascan fácilmente y resultan más fáciles de controlar. Mantenga los mangos limpios y secos para mantener el control de las herramientas.
- **Utilice la herramienta motorizada, los accesorios y los elementos de la herramienta según se indica en estas instrucciones y del modo adecuado en función del tipo específico de herramienta motorizada, teniendo en cuenta las condiciones de trabajo y la tarea que se va a realizar.** El uso de la herramienta motorizada para realizar tareas diferentes de aquellas para las que está destinada puede provocar situaciones de peligro.
- **Si utiliza guantes, asegúrese de que no le impidan liberar el mecanismo del mando,** ya que eso podría provocar lesiones corporales.
- **No despegue ninguna etiqueta. Sustituya todas las etiquetas dañadas.** Las etiquetas le aportan información para la utilización segura del producto.

### Utilización y cuidado de la batería

- **Recargue la batería sólo mediante el cargador especificado por el fabricante.** Un cargador adecuado para un tipo de batería podría provocar un incendio si se utiliza con otra batería.
- **Utilice las herramientas motorizadas sólo con el paquete de baterías específicamente diseñado para ellas.** La utilización de otras baterías podría provocar un incendio o lesiones.
- **Cuando no utilice una batería, manténgala alejada de otros objetos metálicos como: clips, monedas, llaves, clavos, tornillos u otros objetos metálicos pequeños que puedan establecer conexión desde un polo al otro.** Colocar los polos de las baterías cerca puede provocar quemaduras o un incendio.
- **En condiciones de uso indebido, podría salirse el líquido de la batería, en cuyo caso, evite el contacto. Si la toca de forma accidental, lávese con agua. Si el líquido entra en contacto con los ojos, solicite ayuda médica.** El líquido expulsado de la batería puede provocar irritaciones o quemaduras.
- **Compruebe que el interruptor está en la posición de apagado antes de insertar la batería.** La inserción de la batería en la herramienta motorizada con el interruptor encendido puede provocar accidentes.
- **Desconecte las baterías de la herramienta o coloque el interruptor en posición de apagado bloqueada antes de realizar cualquier ajuste o cambiar los accesorios.** Estas medidas preventivas de seguridad reducen el riesgo de encender la herramienta de forma accidental.
- **Las herramientas eléctricas se sobrecalientan si permanecen encendidas cuando el motor de la herramienta está excesivamente cargado, cuando se cala y cuando no puede rotar por cualquier otra causa. Cuando esto suceda, apague la herramienta.** Si se sigue utilizando en estas condiciones, puede provocarse un exceso de calor, humo o fuego que puede causar lesiones o daños materiales.
- **Desconecte las baterías de la herramienta antes de su almacenamiento o colocación en una caja o bolsa de herramientas. El encendido accidental de la herramienta durante su almacenamiento o transporte puede provocar situaciones graves de peligro, incluido el sobrecalentamiento de la herramienta.** La utilización de la herramienta de forma descontrolada puede provocar varias situaciones de peligro, incluidos el sobrecalentamiento de la herramienta y la aparición de humo o fuego.
- **No bloquee los orificios de refrigeración de la carcasa para evitar que se sobrecaliente la herramienta.** Si se sigue utilizando en estas condiciones, puede provocarse un exceso de calor, humo o fuego que pueden causar lesiones o daños materiales.
- **La herramienta puede sobrecalentarse debido a un uso continuado o a ciclos de uso intensivo. Detenga inmediatamente su funcionamiento y deje que la herramienta se enfríe, si cualquiera de sus partes se calienta demasiado como para tocarla o si se observa cualquier indicio de humo procedente del motor.** Si se sigue utilizando en estas condiciones, puede dañarse la herramienta y causar lesiones o daños materiales debido al calentamiento o incendio.

- **Deje de utilizarla de inmediato y sustituya cualquier batería que se caliente en exceso por el uso o utilícela durante periodos muy cortos.** Normalmente, estas baterías disponen de una elevada cantidad de ciclos de carga/descarga o pueden ser antiguas o estar dañadas. El uso continuado de una batería dañada, puede causar lesiones o daños materiales debido a un calentamiento, incendio o explosión.
- **No modifique la herramienta, los dispositivos de seguridad ni los accesorios.** Las modificaciones no autorizadas pueden producir descargas eléctricas, incendios o lesiones corporales.
- **Utilice sólo accesorios recomendados por Ingersoll Rand para su modelo.** Los accesorios apropiados para una herramienta, pueden ser peligrosos si se utilizan con otra.
- **No despegue ninguna etiqueta. Sustituya todas las etiquetas dañadas.** Las etiquetas le aportan información para la utilización segura del producto.

### Reparación

- **Haga que la reparación de su herramienta motorizada la lleve a cabo personal cualificado que utilice sólo piezas de repuesto idénticas.** De este modo, se garantizará la seguridad de la herramienta motorizada.
- **Cuando se repare una herramienta, se deben seguir las instrucciones de mantenimiento y utilizar sólo recambios originales de Ingersoll Rand.** La utilización de piezas no autorizadas o el incumplimiento de las instrucciones de mantenimiento podría provocar descargas eléctricas o lesiones.
- **No se deshaga de las baterías arrojándolas al fuego; no las queme ni las exponga a temperaturas superiores a los 100 °C (212 °F).** En caso de uso incorrecto, las baterías pueden causar incendios y quemaduras químicas.
- **Recicle las baterías o deshágase de ellas de forma responsable, de acuerdo con todos los estándares y regulaciones aplicables (locales, estatales, nacionales, federales, etc.)** La eliminación inadecuada de las baterías puede poner en peligro el medio ambiente.

### ADVERTENCIA

#### Reglas de Seguridad Específicas del Producto

- **Sujete la herramienta con superficies de agarre aislantes cuando lleve a cabo una tarea en la que la herramienta cortante pueda entrar en contacto con cables ocultos.** Entrar en contacto con un cable con corriente provocará que las partes metálicas expuestas de la herramienta conduzcan la corriente y emitan descargas al usuario.
- **En modelos reversibles, compruebe la posición del mecanismo que invierte el sentido del funcionamiento antes de utilizar la herramienta.** Conocer la dirección de rotación ayuda a mantener el control de la herramienta.
- **Utilice sólo bocas y accesorios de impacto.** No utilice adaptadores o accesorios manuales (cromo). Pueden romperse mientras se utilizan y provocar lesiones.
- **Compruebe periódicamente el extremo de accionamiento de la herramienta para asegurarse de que el retén de los adaptadores funcione correctamente y de que los adaptadores y los extremos de accionamiento no estén excesivamente desgastados.** Esto podría provocar que el adaptador se desprendiera al rotar.
- **Los aprietatuercas de percusión no son llaves de par controlado. Las conexiones que necesiten un par de apriete específico se deben comprobar con un medidor de par después del apriete con un aprietatuercas de percusión.** Si los elementos de sujeción no están bien apretados, pueden aflojarse y provocar lesiones.
- **Los gatillos expuestos no se deben usar en los lugares en los que las obstrucciones puedan mantener el mando de accionamiento activado.** Es posible que no pueda apagar la herramienta.
- **No dirija el haz a los ojos de personas o animales.** La luz brillante puede dañar los ojos.

#### Información de seguridad sobre el producto: Batería

##### Descripción del Producto

Una batería es un dispositivo de almacenamiento de energía eléctrica que se utiliza como fuente de alimentación para los productos inalámbricos de **Ingersoll Rand**.

### ADVERTENCIA

#### Advertencias de seguridad generales de la batería

- **Aviso! Lea todos los avisos de seguridad e instrucciones.** No respetar los avisos e instrucciones puede resultar en descarga eléctrica, incendio o daños graves.
- **Guarde todos los avisos e instrucciones para su futura consulta.**
- **Es su responsabilidad poner esta información de seguridad a disposición de quienes vayan a utilizar el aparato.** Si no se siguen estas regulaciones y estándares, pueden producirse lesiones corporales.
- **Instale, utilice, inspeccione y mantenga siempre este producto de acuerdo con todas las regulaciones y estándares aplicables (locales, estatales, nacionales, federales, etc.).** Su cumplimiento es responsabilidad suya. Si no se siguen estas regulaciones y estándares, pueden producirse lesiones corporales.
- El término "herramienta eléctrica" en las advertencias se refiere a su herramienta eléctrica accionada por batería (inalámbrica).

#### Seguridad eléctrica

- **No exponga las baterías o herramientas eléctricas a la lluvia o mojaduras.** El ingreso de agua a una batería o herramienta eléctrica incrementa el riesgo de descarga eléctrica.

#### Seguridad personal

- **No modifique el producto, los dispositivos de seguridad ni los accesorios.** Las modificaciones no autorizadas pueden producir descargas eléctricas, incendios o lesiones corporales.

#### Uso y cuidado de la batería y herramienta eléctrica

- **Almacene las baterías y herramientas eléctricas descargadas fuera del alcance de los niños y no permita que personas no**

familiarizadas con la batería o herramienta eléctrica o estas instrucciones accione la batería o herramienta eléctrica. Las baterías y herramientas eléctricas son peligrosas en manos de usuarios no capacitados.

- **Use la batería, herramienta eléctrica, accesorios y herramientas de corte, etc., de acuerdo con estas instrucciones, tomando en cuenta las condiciones de trabajo y el trabajo a realizar.** El uso de la batería o herramienta eléctrica para funciones que difieran de las indicadas podría provocar una situación peligrosa.
- **Recargue únicamente con el cargador especificado por el fabricante.** Un cargador apropiado para un tipo de conjunto de batería puede crear riesgo de incendio cuando se lo usa con otro conjunto de batería. Consulte el manual de información de producto del cargador para las advertencias adicionales específicas del cargador.
- **No use las herramientas eléctricas únicamente con conjuntos de batería diseñados específicamente.** El uso de cualquier otro conjunto de batería puede crear peligro de lesiones e incendio.
- **Cuando no utilice una batería, manténgala alejada de otros objetos metálicos como: clips, monedas, llaves, clavos, tornillos u otros objetos metálicos pequeños que puedan establecer conexión desde un polo al otro.** Colocar los polos de las baterías cerca puede provocar chispas, quemaduras o un incendio.
- **Bajo condiciones abusivas, la batería puede eyectar líquido. Evite el contacto. Si el contacto se produce accidentalmente, lávese con agua. Si el líquido hace contacto con los ojos, busque además ayuda médica.** El líquido eyectado de la batería puede causar irritación o quemaduras.
- **Deje de utilizarla de inmediato y sustituya cualquier batería que se caliente en exceso por el uso o utilícela durante periodos muy cortos.** Normalmente, estas baterías disponen de una elevada cantidad de ciclos de carga/descarga o pueden ser antiguas o estar dañadas. El uso continuado de una batería dañada, puede causar lesiones o daños materiales debido a un calentamiento, incendio o explosión.
- **No despegue ninguna etiqueta. Sustituya todas las etiquetas dañadas.** Las etiquetas le aportan información para la utilización segura del producto.
- **No someta las baterías a choques mecánicos.**
- **No deje la batería en carga prolongada cuando no está en uso.**
- **Cuando sea posible, retire la batería del equipo cuando no esté en uso.**
- **No use baterías que hayan sido dañadas físicamente.**

#### Reparación

- **No se deshaga de las baterías arrojándolas al fuego; no las quemé ni las exponga a temperaturas superiores a los 100 °C (212 °F).** En caso de uso incorrecto, las baterías pueden causar incendios y quemaduras químicas.
- **Recicle las baterías o deshágase de ellas de forma responsable, de acuerdo con todos los estándares y regulaciones aplicables (locales, estatales, nacionales, federales, etc.)** La eliminación inadecuada de las baterías puede poner en peligro el medio ambiente.
- **No abra la cubierta o carcasa. En su interior, no hay elementos que el usuario pueda reparar.** Podría provocar descargas eléctricas u otras lesiones corporales.

## Información de seguridad sobre el producto: Cargador de la Batería

### Descripción del Producto

Un cargador de baterías es un dispositivo eléctrico que convierte la corriente alterna en continua. Ésta se utiliza para cargar las baterías eléctricas de almacenamiento.

### ADVERTENCIA

#### Normas Generales de Seguridad

- **Lea todas las instrucciones y asegúrese de comprenderlas bien.** Si no se siguen las instrucciones descritas más adelante, pueden producirse descargas eléctricas, incendios o lesiones corporales graves.
- **Es su responsabilidad poner esta información de seguridad a disposición de quienes vayan a utilizar el aparato.** Si no se siguen estas regulaciones y estándares, pueden producirse lesiones corporales.
- **Instale, utilice, inspeccione y mantenga siempre este producto de acuerdo con todas las regulaciones y estándares aplicables (locales, estatales, nacionales, federales, etc.).** Su cumplimiento es responsabilidad suya. Si no se siguen estas regulaciones y estándares, pueden producirse lesiones corporales.
- **Se debe supervisar a los niños para asegurarse de que no utilizan ni juegan con este producto.**
- **Este producto no está diseñado para su uso por parte de personas con capacidades físicas, sensoriales o mentales reducidas, o falta de experiencia y conocimiento, a menos que una persona responsable de su seguridad les haya proporcionado supervisión o formación sobre el uso del producto.**

#### Seguridad en el área

- **No utilice el cargador de baterías en entornos potencialmente explosivos, como líquidos, gases o polvos inflamables.** Es posible que un cargador de baterías origine chispas que pueden inflamar el polvo o los vapores.

#### Seguridad Eléctrica

- **Los productos doblemente aislados poseen un enchufe polarizado (una clavija es más ancha que la otra). Este enchufe encajará de una sola forma en una toma polarizada. Si no encaja por completo en la toma, introdúzcalo del revés. Si aún no encaja, póngase en contacto con un electricista cualificado para que instale una toma polarizada. No modifique el enchufe de ninguna forma.** El doble aislamiento permite prescindir del cable eléctrico trifásico de puesta a tierra y del sistema de fuente de alimentación de puesta a tierra.
- **No fuerce el cable. No utilice nunca el cable para arrastrar, tirar o desconectar la herramienta. Manténgalo alejado del calor, aceites, bordes afilados o piezas móviles.** Un cable dañado o enredado aumenta el riesgo de descarga eléctrica.
- **Un producto motorizado que funciona con baterías integrales o con batería independiente debe recargarse sólo con el cargador específico de esa batería.** Un cargador adecuado para un tipo de batería podría provocar un incendio si se utiliza con otra batería.
- **El cargador sólo está destinado a uso interior. No exponga el cargador a la lluvia. No utilice el cargador en lugares húmedos o mojados.** Podría provocar descargas eléctricas u otras lesiones corporales.

- **Utilice siempre la tensión eléctrica de alimentación especificada.** Una tensión eléctrica inadecuada puede provocar descargas eléctricas, incendios, funcionamiento anormal y lesiones corporales.
- **Evite tocar las terminales de carga de la batería con los dedos, cables u otro material conductor. Conéctelo sólo con baterías aprobadas de Ingersoll Rand.** Podría provocar descargas eléctricas u otras lesiones corporales.
- **No intente recargar baterías no recargables.** Pueden producirse descargas eléctricas, incendios o lesiones corporales.

### Seguridad Personal

- **No modifique el producto, los dispositivos de seguridad ni los accesorios.** Las modificaciones no autorizadas pueden producir descargas eléctricas, incendios o lesiones corporales.
- **No utilice este producto para otros fines que no sean los recomendados.** Pueden producirse descargas eléctricas, incendios u otras lesiones corporales.
- **Coloque el cargador en una posición estable antes de conectarlo a la fuente de alimentación. Mantenga el cargador fuera del alcance de los niños.** Una colocación inadecuada o la utilización por parte de niños puede provocar descargas eléctricas, incendios o lesiones corporales.

### Utilización y Mantenimiento

- **No utilice nunca un cargador averiado o con problemas de funcionamiento. Desconecte el cargador inmediatamente y repárelo o sustitúyalo.** El uso continuado puede producir descargas eléctricas, incendios o lesiones corporales.
- **No despegue ninguna etiqueta. Sustituya todas las etiquetas dañadas.** Las etiquetas le aportan información para la utilización segura del producto.

### Reparación

- **La realización sólo se deberá llevar a cabo en un centro de servicio autorizado de Ingersoll Rand o por personal cualificado.** La reparación o el mantenimiento realizado por personal no cualificado podría provocar lesiones.
- **No abra la cubierta o carcasa. En su interior, no hay elementos que el usuario pueda reparar.** Podría provocar descargas eléctricas u otras lesiones corporales.
- **Si el cable de alimentación está dañado, deberá sustituirse en un centro de servicio autorizado de Ingersoll Rand o con la ayuda de personal cualificado.** Los cables dañados o instalados de forma incorrecta aumentan el riesgo de descarga eléctrica.

## AVISO

Si desea información de seguridad específica para su modelo, consulte el manual de información del producto.

### Identificación de los símbolos de seguridad



Riesgo de explosión. Siga todos los procedimientos de seguridad de uso

(Plano 16589525)



Utilice protección ocular



Utilice protección acústica



Lea los manuales antes de utilizar el producto



### Información de seguridad - Explicación de los mensajes de las señales de seguridad

**⚠ PELIGRO** Indica una situación de peligro inminente que, de no evitarse, resultaría en lesiones graves o muerte.

**⚠ ADVERTENCIA** Indica una situación potencialmente peligrosa que, de no evitarse, podría resultar en lesiones graves o muerte.

**⚠ PRECAUCIÓN** Indica una situación potencialmente peligrosa que, de no evitarse, podría producir lesiones de leves a moderadas o daños en la propiedad.

**AVISO** Indica información o una política de la empresa directa o indirectamente relacionada con la seguridad del personal o la protección de la propiedad.

### Información sobre las piezas del producto

## ⚠ PRECAUCIÓN

El uso de piezas de recambio que no sean las auténticas piezas Ingersoll Rand podría poner en peligro la seguridad, reducir el rendimiento de la herramienta y aumentar los cuidados de mantenimiento necesarios, así como invalidar toda garantía.

Solo el personal cualificado y autorizado deberá realizar reparaciones. Consulte al centro de servicio de Ingersoll Rand autorizado más próximo.

Las instrucciones originales están en inglés. Las demás versiones son una traducción de las instrucciones originales.

Los manuales pueden descargarse desde [ingersollrandproducts.com](http://ingersollrandproducts.com).

Remita todas las comunicaciones a la oficina o al distribuidor de **Ingersoll Rand** más cercano.

## Description du Produit

Une clé à chocs sans fil est un outil à main fonctionnant à l'aide de piles rechargeables qui produit des impacts rotatifs pour serrer ou desserrer des éléments de fixation filetés, au moyen de douilles amovibles spécialement durcies.

### AVERTISSEMENT

#### Règles de Sécurité Générales

- **Avertissement** ! Lisez toutes les instructions. Le non-respect de celles-ci peut provoquer des chocs électriques, des incendies et/ou des blessures graves. Conserver la totalité des avertissements et instructions fournis pour d'éventuelles consultations ultérieures. Le terme « outil » dans tous les avertissements cidessous fait référence à votre outil fonctionnant sur secteur (câblé) ou sur batterie (sans fil).
- **Il vous incombe de transmettre les présentes informations de sécurité à tous les utilisateurs du produit.** Le non-respect de ces normes et réglementations peut provoquer des blessures.
- **Installez, utilisez, inspectez et entretenez toujours ce produit conformément à toutes les normes et réglementations en vigueur (locales, nationales, fédérales, européennes etc.).** Vous êtes responsable du respect de ces normes. Le non-respect de ces normes et réglementations peut provoquer des blessures.

#### Sécurité du lieu de

- **Maintenez votre lieu de travail propre et bien éclairé.** Des établis en désordre et des surfaces sombres sont susceptibles de provoquer des accidents.
- **N'utilisez pas les outils dans des atmosphères explosives, par exemple en présence de liquides inflammables, de gaz ou de poussière.** Les outils provoquent des étincelles susceptibles d'enflammer les poussières ou les fumées.
- **Éloignez les spectateurs et les enfants pendant l'utilisation de l'outil.** Tout moment d'inattention de votre part peut entraîner une perte du contrôle de l'outil.
- **Faites attention aux risques de danger enfouis, cachés ou autres dans votre environnement de travail. Ne touchez et n'endommagez pas les cordons, conduits, canalisations ou tuyaux pouvant contenir des fils électriques, des gaz explosifs ou des liquides dangereux.** Cela pourrait provoquer un choc électrique, un incendie ou des blessures.

#### Sécurité Électrique

- **Les fiches des outils doivent correspondre aux prises. La fiche ne doit en aucun cas être modifiée. Ne jamais utiliser de fiche d'adaptation quelle qu'elle soit avec des outils reliés à la terre.** Des fiches non modifiées et des prises correspondantes réduisent les risques de choc.
- **Évitez tout contact avec les surfaces reliées à la terre telles que les tuyaux, radiateurs, cuisinières et réfrigérateurs.** Le risque de choc électrique est accru si votre corps est relié à la terre.
- **Les outils électriques doivent être conservés à l'abri de la pluie et de toute humidité.** L'infiltration d'eau dans un outil augmente le risque de choc électrique.
- **Utilisez convenablement le cordon. N'utilisez jamais le cordon pour transporter, tirer ou débrancher l'outil. Assurez-vous que le cordon est placé à distance des sources de chaleur, d'huile, d'arêtes vives ou de pièces mobiles.** Les cordons endommagés ou entremêlés augmentent les risques de choc électrique.
- **Lors de l'utilisation d'un outil en extérieur, utilisez une rallonge adaptée à ce type d'utilisation.** L'utilisation d'un câble adapté pour l'extérieur réduit le risque de choc électrique.
- **Face à l'obligation d'utiliser un outil électrique dans un site humide, il convient de protéger l'alimentation électrique par un dispositif différentiel résiduel (DDR).** L'utilisation d'un DDR permet de réduire les risques de chocs électriques.
- **Utilisez toujours la tension d'alimentation spécifiée.** L'utilisation de cet outil sous une autre tension peut provoquer des chocs électriques, des incendies, un fonctionnement anormal de l'outil et des blessures graves.
- **Assurez-vous que les cordons et câbles électriques sont de taille correcte et que tous les connecteurs et toutes les prises sont bien fixés.** Des câbles trop courts ou des connexions lâches peuvent provoquer des chocs électriques, des incendies et des blessures graves.

#### Sécurité de L'utilisateur

- **Restez vigilant et attentif et faites preuve de bon sens lors de l'utilisation de cet outil. N'utilisez pas cet outil en cas de fatigue ou sous l'influence de la drogue, d'alcool ou de médicaments.** Un moment d'inattention au cours de l'utilisation de ces outils suffit pour provoquer de graves blessures.
- **Utilisez les équipements de sécurité. Protégez-vous toujours les yeux.** Des équipements de sécurité tels que des masques anti-poussière, des chaussures de sécurité antidérapantes, des casques ou des protections auditives utilisés dans des conditions appropriées réduisent les blessures.
- **Évitez tout démarrage accidentel. Vérifiez que l'interrupteur est en position Arrêt avant de brancher l'outil.** Transporter des outils avec un doigt placé sur l'interrupteur ou brancher des outils alors que l'interrupteur est en position Marche peut provoquer des accidents.
- **Retirez toute clavette de calage ou clé à chocs avant de mettre l'outil sous tension.** Une clé ou une clavette restée attachée à un élément rotatif de l'outil peut provoquer des blessures.
- **Ne présumez pas de vos forces. Soyez toujours bien positionné et en équilibre.** Cela permet de mieux contrôler l'outil dans les situations inattendues.
- **Portez des habits adéquats. Ne portez pas de vêtements trop amples ni de bijoux. Attachez-vous les cheveux. Gardez vos cheveux, vos vêtements et vos gants à distance des éléments mobiles.** Les vêtements amples, bijoux et cheveux longs peuvent se coincer dans les pièces mobiles.
- **Si des appareils sont fournis pour le raccordement de matériel d'extraction et de collecte de poussière, vérifiez qu'ils sont connectés et utilisés correctement.** L'utilisation de ces appareils peut réduire les risques liés à la poussière.
- **Utilisez des vis ou tout autre moyen pour sécuriser et assurer le support de la pièce de fabrication sur une plate-forme stable.** Le fait de tenir un élément à bout de bras ou contre vous constitue une source d'instabilité et peut conduire à la perte de contrôle de l'outil.
- **Évitez toute exposition ou inhalation de poussières et de particules dangereuses générées par l'utilisation de l'outil.**
  - Certaines poussières générées par ponçage, sciage, meulage, perçage et autres activités de construction contiennent des produits chimiques cancérigènes pouvant entraîner des anomalies congénitales ou des risques de malformations génétiques. Certains de ces produits chimiques sont :
    - le plomb issu de peintures à base de plomb;

- la silice cristallisée utilisée pour les briques, le ciment et autres produits de maçonnerie ;
- l'arsenic et le chrome issus du bois traité chimiquement.
- Les risques liés à ces expositions dépendent de la fréquence à laquelle vous effectuez ce type de travail. Pour limiter l'exposition à ces produits chimiques : travaillez dans un lieu bien ventilé avec des équipements de sécurité adéquats, tels que des masques anti-poussières spécialement conçus pour filtrer les particules microscopiques.
- **Cessez d'utiliser un outil en cas de malaise, d'engourdissement ou de douleur.** Des vibrations, des mouvements répétés ou des positions inconfortables peuvent présenter des risques pour vos mains et vos bras. Ces outils peuvent émettre des vibrations en cours d'utilisation. Consultez un médecin avant de les utiliser à nouveau.
- **L'émission de vibrations pendant le fonctionnement de l'outil électrique peut différer de la valeur déclarée en fonction du mode d'utilisation.** Prenez les mesures de sécurité que s'imposent pour assurer la protection de l'opérateur, en fonction de l'estimation de l'exposition au cours de l'utilisation réelle
- **Évitez tout contact avec les pièces mobiles de l'outil.** L'outil et/ou ses accessoires peuvent continuer à être en mouvement pendant un bref instant suite à la mise hors tension, pouvant ainsi présenter des risques d'empêchement ou d'autres blessures.

### Utilisation et Maintenance de l'outil

- **N'exercez pas de pression trop importante sur l'outil lors de son utilisation. Utilisez l'outil correspondant au type de travail que vous effectuez.** Dans le cadre de l'utilisation pour laquelle il a été conçu, un outil fonctionne mieux et de manière plus sûre.
- **N'utilisez pas cet outil si l'interrupteur ne permet pas de le mettre sous et hors tension.** Tout outil ne pouvant pas être contrôlé par l'interrupteur présente des risques et doit être réparé.
- **Avant d'effectuer tout réglage, de changer d'accessoire et de ranger l'outil, débranchez la fiche de la source d'alimentation électrique.** De telles mesures de sécurité préventives réduisent les risques de mise sous tension accidentelle de l'outil.
- **Stockez les outils inutilisés hors de portée des enfants et ne laissez aucune personne non familiarisée avec l'outil ou avec ces instructions l'utiliser.** Ces outils peuvent s'avérer dangereux s'ils sont utilisés par des personnes non qualifiées.
- **Entretenez les outils. Vérifiez tout désalignement ou accrochage des pièces ruptures des éléments ou toute autre condition pouvant altérer le fonctionnement de l'outil. Si celui-ci est endommagé, faites-le réparer avant de l'utiliser.** Beaucoup d'accidents surviennent suite à un mauvais entretien des outils.
- **Faites en sorte que les outils coupants restent aiguisés et propres.** Des outils bien entretenus, avec des lames aiguisées, verront leur fonctionnement amélioré et seront plus faciles à manier. Gardez les poignées propres et sèches pour conserver le contrôle des outils.
- **Utilisez l'outil, les accessoires, les pièces, etc. conformément à ces instructions et de la manière prévue, en tenant compte des conditions de travail et de la tâche à effectuer.** L'utilisation de l'outil pour des opérations autres que celles prévues peuvent vous mettre en danger.
- **Si vous portez des gants, assurez-vous qu'ils n'entravent pas la course de la gâchette.** Cela pourrait provoquer des blessures.
- **Ne retirez aucune étiquette. Remplacez toute étiquette endommagée.** Ces étiquettes fournissent des informations utiles pour une utilisation sûre de ce produit.

### Utilisation et entretien de la batterie

- **Utilisez exclusivement le type de chargeur spécifié par le fabricant.** Un chargeur correspondant à un type de pile spécifique peut entraîner un risque d'incendie lorsqu'il est utilisé avec un autre type de pile.
- **N'utilisez l'outil qu'avec le bloc de piles prévu à cet effet.** L'utilisation d'un autre bloc de piles peut constituer un risque de blessure et d'incendie.
- **Lorsque le bloc de piles n'est pas utilisé, tenez-le à distance des objets métalliques tels que : trombones, pièces de monnaie, clés, clous, vis ou autres petits objets en métal pouvant établir une connexion entre les contacts.** Un court-circuit entre les contacts de la pile peut provoquer des brûlures ou un incendie.
- **Dans des conditions extrêmes, la pile peut rejeter du liquide ; évitez tout contact. En cas de contact accidentel, nettoyez abondamment à l'eau claire. Si le liquide entre en contact avec les yeux, consultez également un médecin.** Le liquide éjecté de la pile peut entraîner des irritations ou des brûlures.
- **Assurez-vous que l'interrupteur est réglé sur ARRÊT avant d'insérer le bloc de piles.** L'insertion du bloc de piles dans l'outil avec l'interrupteur réglé sur MARCHÉ peut entraîner des accidents.
- **Retirez le bloc de piles de l'outil ou mettez l'interrupteur sur la position ARRÊT avant de procéder à des réglages ou de changer des accessoires.** Ces mesures de sécurité préventives réduisent les risques de mise sous tension accidentelle de l'outil.
- **Les outils électriques surchauffent si vous continuez de les utiliser lorsque leur moteur subit une charge excessive, cale ou ne peut pas tourner.** Arrêtez l'outil lorsque cela se produit. Si vous continuez de l'utiliser, cela peut générer de la chaleur, de la fumée ou un incendie pouvant entraîner des blessures ou des dégâts matériels.
- **Retirez le bloc de piles de l'outil avant de stocker ce dernier ou de le mettre dans une boîte à outils ou un sac. Toute mise sous tension accidentelle durant le stockage ou le transport peut engendrer des situations dangereuses, notamment une surchauffe de l'outil.** Le fonctionnement non contrôlé de l'outil peut engendrer des situations dangereuses telles qu'une surchauffe, de la fumée ou un incendie.
- **Ne bloquez pas les aérations car cela pourrait provoquer la surchauffe de l'outil.** Si vous l'utilisez dans de telles conditions, cela peut générer de la chaleur, de la fumée ou un incendie pouvant entraîner des blessures ou des dégâts matériels.
- **L'outil peut surchauffer en cas d'utilisation continue ou forcée. Cessez immédiatement d'utiliser l'outil et laissez-le refroidir si l'une de ses parties devient brûlante ou si de la fumée s'échappe du moteur.** L'utilisation de l'outil en ces conditions endommagera l'outil et risque de provoquer des blessures ou des dégâts par la chaleur ou le feu.
- **Cessez immédiatement d'utiliser l'outil et remplacez toute batterie s'échauffant de manière inhabituelle ou n'offrant qu'une autonomie réduite.** Les batteries présentent généralement une capacité importante de cycles de chargement/déchargement. Il est donc possible qu'elles soient trop anciennes ou endommagées. L'utilisation d'une batterie en mauvais état peut provoquer des blessures ou des dégâts dus à la chaleur, au feu ou à une explosion.
- **N'essayez jamais de modifier cet outil, les dispositifs de sécurité ou les accessoires.** Cela pourrait provoquer un choc électrique, un incendie ou des blessures.
- **Utilisez uniquement les accessoires recommandés par Ingersoll Rand pour votre modèle.** Des accessoires utilisables avec un outil spécifique peuvent s'avérer dangereux sur un autre.
- **Ne retirez aucune étiquette. Remplacez toute étiquette endommagée.** Ces étiquettes fournissent des informations utiles pour une utilisation sûre de ce produit.

## Entretien

- **Faites entretenir votre outil par des réparateurs qualifiés et n'utilisez que des pièces de rechange identiques.** Cela garantit le maintien de la sécurité de l'outil.
- **Pour la réparation des outils, n'utilisez que des pièces détachées Ingersoll Rand d'origine et suivez scrupuleusement les instructions de maintenance.** L'utilisation de pièces non autorisées ou le non-respect des consignes de maintenance peuvent représenter un risque de choc électrique ou de blessure.
- **Ne jetez pas les piles dans le feu, ne les incinerez pas ou ne les exposez pas à une température supérieure à 100 °C (212 °F).** Les piles présentent un risque d'incendie ou de brûlure chimique lorsqu'elles sont manipulées de façon inadéquate.
- **Recyclez ou mettez au rebut les piles conformément à toutes les normes et réglementations en vigueur (locales, nationales, fédérales, européennes etc.).** Une mise au rebut incorrecte peut nuire à l'environnement.

## AVERTISSEMENT

### Règles de Sécurité Spécifiques au Produit

- **Tenez l'outil en isolant les surfaces de serrage lors d'une utilisation où l'outil coupant pourrait entrer en contact avec des câbles cachés.** Tout contact avec un câble « conducteur » rendra les parties métalliques exposées « conductrices » et provoquera un choc électrique.
- **Pour les modèles réversibles, repérez la position du mécanisme d'inversion avant la mise sous tension.** La connaissance du sens de rotation aide à garder le contrôle de l'outil.
- **N'utilisez que des douilles et accessoires pour clés à chocs.** N'utilisez pas de douilles ou d'accessoires en chrome. Elles peuvent éclater en cours d'utilisation et causer des blessures.
- **Vérifiez régulièrement l'extrémité de l'arbre de l'outil pour vous assurer que la goupille de retenue fonctionne correctement. Vérifiez également que les douilles et les extrémités de l'arbre ne sont pas excessivement usées.** Ces deux conditions peuvent provoquer un détachement de la douille lors de sa rotation.
- **Les clés à chocs ne sont pas des clés dynamométriques. Les raccords nécessitant des couples spécifiques doivent être vérifiés avec une clé dynamométrique après avoir été serrés avec une clé à chocs.** Des fixations mal ajustées peuvent se desserrer et provoquer des accidents.
- **Les outils avec gâchettes saillantes ne seront pas utilisés là où des obstructions pourraient maintenir la gâchette sur la position MARCHÉ.** Vous pourriez vous trouver dans l'impossibilité de mettre l'outil hors tension.
- **Ne dirigez pas le faisceau lumineux vers les yeux d'une personne ou d'un animal.** Une lumière vive pourrait provoquer des blessures oculaires.

## Informations de sécurité du produit: Batterie

### Description du Produit

Une pile est un dispositif de stockage de l'électricité utilisé en tant que source d'alimentation pour les produits sans fil **Ingersoll Rand**.

## AVERTISSEMENT

### Avertissements de sécurité généraux concernant la batterie

- **Avertissement! Lire tous les avertissements relatifs à la sécurité ainsi que la totalité des instructions.** Ne pas suivre les avertissements et instructions peut entraîner la survenue d'un choc électrique, d'un incendie et/ou de blessures graves.
- **Conserver la totalité des avertissements et instructions fournis pour d'éventuelles consultations ultérieures.**
- **Il vous incombe de transmettre les présentes informations de sécurité à tous les utilisateurs du produit.** Le non respect des normes et réglementations peut provoquer des blessures.
- **Installez, utilisez, inspectez et entretenez toujours ce produit conformément à toutes les normes et réglementations en vigueur (locales, nationales, fédérales, européennes etc.).** Vous êtes responsable du respect de ces normes. Le non respect des normes et réglementations peut provoquer des blessures.
- Le terme « outil électrique » dans les avertissements désigne l'outil (sans fil) alimenté par votre batterie.

### Sécurité électrique

- **N'exposez pas les batteries ou les outils électriques à la pluie ou à l'eau.** L'infiltration d'eau dans une batterie ou un outil électrique augmente le danger d'électrocution.

### Sécurité de l'utilisateur

- **Ne modifiez jamais ce produit, les dispositifs de sécurité ni les accessoires.** Cela pourrait provoquer un choc électrique, un incendie ou des blessures.

### Utilisation et entretien de la batterie et de l'outil électrique

- **Rangez les batteries et les outils électriques inutilisés hors de portée des enfants et ne laissez aucune personne n'étant pas familière avec la batterie, l'outil électrique et ces instructions s'en servir.** Entre les mains d'un utilisateur non formé, les batteries et les outils électriques peuvent être dangereux.
- **Utilisez la batterie, l'outil électrique, les accessoires et les mâches etc. en suivant bien ces instructions, et en tenant compte des conditions de travail et de la tâche à accomplir.** L'utilisation de la batterie ou de l'outil électrique pour un usage non prévu à cet effet peut se révéler dangereux.
- **Utilisez exclusivement le type de chargeur spécifié par le fabricant.** Un chargeur peut être approprié pour un type de bloc batterie mais créer un risque d'incendie avec un autre type de bloc batterie. Pour davantage d'avertissements spécifiques sur le chargeur, consultez le manuel d'Informations du chargeur.
- **N'utilisez l'outil qu'avec un bloc batterie prévu à cet effet.** L'utilisation d'un autre bloc batterie peut entraîner un danger de blessure et d'incendie.
- **Lorsque le bloc de piles n'est pas utilisé, tenez-le à distance des autres objets métalliques tels que : des trombones, pièces de monnaie, clés, clous, vis ou autres petits objets en métal pouvant créer une connexion entre un terminal et un autre.** Un court circuit entre les bornes de piles peut provoquer des étincelles, des brûlures ou un incendie.

- **En cas de mauvaise utilisation, la batterie peut rejeter du liquide ; évitez tout contact. En cas de contact accidentel, nettoyez abondamment à l'eau claire. En cas de contact avec les yeux, rincez abondamment et consultez un médecin.** Le liquide en provenance de la pile peut entraîner des irritations ou des brûlures.
- **Cessez immédiatement d'utiliser l'outil et remplacez toute batterie s'échauffant de manière inhabituelle ou n'offrant qu'une autonomie réduite.** Les batteries présentent généralement une capacité importante de cycles de chargement/déchargement. Il est donc possible qu'elles soient trop anciennes ou endommagées. L'utilisation d'une batterie en mauvais état peut provoquer des blessures ou des dégâts dus à la chaleur, au feu ou à une explosion.
- **Ne retirez aucune étiquette. Remplacez toute étiquette endommagée.** Ces étiquettes fournissent des informations utiles pour une utilisation sûre de ce produit.
- **Ne soumettez pas les batteries à des impacts physiques.**
- **Ne laissez pas une batterie en charge trop longtemps lorsqu'elle n'est pas utilisée.**
- **Dans la mesure du possible, enlevez la batterie de l'appareil lorsqu'il est inutilisé.**
- **N'utilisez pas de batteries qui ont été physiquement endommagées.**

#### Entretien

- **Ne jetez pas les piles dans le feu, ne les incinerez pas ou ne les exposez pas à une température supérieure à 100 °C (212 °F).** Les piles présentent un risque d'incendie ou de brûlure chimique lorsqu'elles sont manipulées de façon inadéquate.
- **Recyclez ou mettez au rebut les piles conformément à toutes les normes et réglementations en vigueur (locales, nationales, fédérales, européennes etc.).** Une mise au rebut incorrecte peut nuire à l'environnement.
- **N'ouvrez pas le capot ni le boîtier de l'appareil. Il ne contient aucun élément pouvant être entretenu par l'utilisateur.** Cela pourrait entraîner un choc électrique ou des blessures.

---

### Informations de sécurité du produit: Chargeur de Batteries

#### Description du Produit

Un chargeur de piles est un appareil électrique qui convertit le courant alternatif en courant continu utilisé pour charger les accumulateurs.

---

#### AVERTISSEMENT

#### Règles de Sécurité Générales

- **Lisez attentivement toutes les instructions.** Le non-respect de celles-ci peut provoquer des chocs électriques, des incendies et/ou des blessures graves.
- **Il vous incombe de transmettre les présentes informations de sécurité à tous les utilisateurs du produit.** Le non-respect de ces normes et réglementations peut provoquer des blessures.
- **Installez, utilisez, inspectez et entretenez toujours ce produit conformément à toutes les normes et réglementations en vigueur (locales, nationales, fédérales, européennes etc.).** Vous êtes responsable du respect de ces normes. Le non-respect de ces normes et réglementations peut provoquer des blessures.
- **Il importe de veiller sur les enfants pour qu'ils n'utilisent pas ce produit et ne jouent pas avec.**
- **Ce produit n'est pas destiné à être utilisé par des personnes à capacités physiques, sensorielles ou mentales réduites, ou manquant d'expérience et de connaissances, sauf si elles ont bénéficié, pour l'utilisation de ce produit, de surveillance ou de formation par une personne responsable de leur sécurité.**

#### Sécurité du lieu de

- **N'utilisez pas le chargeur de piles dans un environnement explosif, par exemple en présence de liquides inflammables, de gaz ou de poussière.** Un chargeur de piles est susceptible de provoquer des étincelles qui peuvent enflammer les poussières ou les fumées.

#### Sécurité Électrique

- **Les produits à double isolation sont munis d'une fiche polarisée (une lame est plus large que l'autre). Cette fiche ne peut se connecter sur une prise polarisée que d'une seule manière. Si la fiche ne s'enfonce pas complètement dans la prise, retournez-la. Si elle ne se branche toujours pas correctement, contactez un électricien qualifié pour l'installation d'une prise polarisée. La fiche ne doit en aucun cas être modifiée.** En présence d'une double isolation, il n'est plus nécessaire d'utiliser un cordon électrique à trois fils avec mise à la terre, ni un système d'alimentation électrique avec mise à la terre.
- **Utilisez convenablement le cordon. N'utilisez jamais le cordon pour transporter, tirer ou débrancher l'outil. Assurez-vous que le cordon est placé à distance des sources de chaleur, d'huile, d'arêtes vives ou de pièces mobiles.** Les cordons endommagés ou entremêlés augmentent les risques de choc électrique.
- **Un appareil fonctionnant avec des piles intégrées ou un bloc de piles séparé ne doit être rechargé qu'avec le chargeur de piles spécifié.** Un chargeur correspondant à un type de pile spécifique peut entraîner un risque d'incendie lorsqu'il est utilisé avec un autre type de pile.
- **Le chargeur ne doit être utilisé qu'en intérieur. Veillez à ce que le chargeur ne soit pas exposé à la pluie. N'utilisez pas le chargeur dans des endroits humides ou mouillés.** Cela pourrait entraîner un choc électrique ou des blessures.
- **Respectez toujours la tension d'alimentation indiquée.** L'utilisation de cet outil sous une autre tension peut provoquer des chocs électriques, des incendies, un fonctionnement anormal de l'outil et des blessures graves.
- **Évitez tout contact des doigts, de fils et autres matériaux conducteurs avec les bornes de la batterie. Ne connectez l'appareil qu'à des batteries agréées par Ingersoll Rand.** Cela pourrait entraîner un choc électrique ou des blessures.
- **Ne tentez pas de recharger des batteries non rechargeables.** Cela pourrait provoquer un choc électrique, un incendie ou des blessures.

## Sécurité de L'utilisateur

- **Ne modifiez jamais ce produit, les dispositifs de sécurité ou les accessoires.** Cela pourrait provoquer un choc électrique, un incendie ou des blessures.
- **N'utilisez pas ce produit à des fins autres que celles recommandées.** Cela pourrait provoquer un choc électrique, un incendie ou des blessures.
- **Assurez-vous que le chargeur est dans une position stable avant de le brancher à une source d'alimentation. Maintenez le chargeur hors de portée des enfants.** Une position instable ou une utilisation par des enfants peut conduire à un choc électrique, un incendie ou des blessures.

## Utilisation et Maintenance

- **N'utilisez jamais un chargeur endommagé ou ne fonctionnant pas correctement. Débranchez immédiatement le chargeur et faites-le réparer ou remplacer.** L'utilisation continue d'un tel chargeur pourrait provoquer un choc électrique, un incendie ou des blessures.
- **Ne retirez aucune étiquette. Remplacez toute étiquette endommagée.** Ces étiquettes fournissent des informations utiles pour une utilisation sûre de ce produit.

## Entretien

- **L'entretien ne doit être effectué que par un centre de service Ingersoll Rand agréé ou par un personnel qualifié équivalent.** L'entretien ou la maintenance effectués par un personnel non qualifié pourrait présenter des risques de blessures.
- **N'ouvrez pas le capot ni le boîtier de l'appareil. Il ne contient aucun élément pouvant être réparé par l'utilisateur.** Cela pourrait entraîner un choc électrique ou des blessures.
- **Si le cordon d'alimentation est endommagé, il doit être remplacé par un centre de service Ingersoll Rand agréé ou par un personnel qualifié équivalent.** Les cordons endommagés et mis en place de façon incorrecte augmentent les risques de choc électrique.

### AVIS

Consultez le manuel Informations Produit concernant les informations spécifiques sur la sécurité du modèle.

## Identification du Symbole de Sécurité



Risque d'explosion. Respectez toutes les procédures de sécurité pendant l'utilisation.



Portez une protection oculaire



Portez une protection auditive



Lisez attentivement les manuels avant d'utiliser le produit



(Dessin 16589525)

## Informations de Sécurité - Explication des Symboles de Sécurité



**DANGER**

Signale une situation de danger imminent qui, si elle n'est pas évitée, peut provoquer la mort ou des blessures graves.



**AVERTISSEMENT**

Signale une situation de danger potentiel qui, si elle n'est pas évitée, pourrait provoquer la mort ou des blessures graves.



**ATTENTION**

Signale une situation de danger potentiel qui, si elle n'est pas évitée, peut provoquer des blessures mineures ou modérées ou des dommages matériels.

**AVIS**

Signale une information ou une règle de l'entreprise en rapport direct ou indirect avec la sécurité du personnel ou avec la protection des biens.

## Informations sur les Pièces du Produit

**ATTENTION**

L'utilisation de pièces de rechange autres que les pièces d'origine Ingersoll Rand peut remettre en cause la sécurité, réduire les performances de l'outil et requérir une maintenance accrue, de même qu'elle peut annuler toutes les garanties.

Les réparations doivent être assurées exclusivement par du personnel qualifié et agréé. Consultez le centre de service Ingersoll Rand agréé le plus proche.

Les instructions d'origine sont en anglais. Les autres langues sont une traduction des instructions d'origine. Les manuels peuvent être téléchargés sur le site [ingersollrandproducts.com](http://ingersollrandproducts.com).

Transmettez toutes vos communications au bureau ou au distributeur **Ingersoll Rand** le plus proche.

## Descrizione del Prodotto

Un'avvitatore a impulsi portatile è un utensile manuale a batterie che funziona sfruttando impulsi rotatori per serrare o allentare dispositivi di fissaggio filettati attraverso supporti portautensili staccabili temprati.

### AVVERTIMENTO

#### Regole Generali sulla Sicurezza

- **Avvertenza:** Leggere tutte le istruzioni. Il mancato rispetto di tutte le istruzioni sopra elencate può causare scosse elettriche, incendi e/o gravi lesioni. Conservare tutte le avvertenze e le istruzioni come riferimento futuro. Il termine "utensile elettrico" in tutte le avvertenze elencate di seguito si riferisce agli utensili elettrici azionati mediante rete elettrica (con cavo) o a batteria (cordless).
- **È vostro compito mettere a disposizione delle altre persone che utilizzeranno questo prodotto le informazioni sulla sicurezza.** Il mancato rispetto delle specifiche e delle normative può causare lesioni fisiche.
- **L'installazione, il funzionamento, il collaudo e la manutenzione di questo prodotto devono essere sempre conformi alle specifiche e alle norme vigenti (locali, statali, nazionali, federali ecc.).** È vostro compito provvedere all'osservanza di queste normative. L'inosservanza degli standard e delle normative può provocare lesioni fisiche.

#### Sicurezza dell'area di lavoro

- **Tenere l'area di lavoro pulita e ben illuminata.** Banchi in disordine e scarsa illuminazione facilitano gli incidenti.
- **Non adoperare utensili elettrici in atmosfere esplosive o in presenza di liquidi, gas o polveri infiammabili.** Gli utensili elettrici generano scintille che possono incendiare polveri o vapori infiammabili.
- **Tenere lontani bambini e visitatori durante il funzionamento degli utensili elettrici.** Una distrazione può far perdere il controllo dell'utensile.
- **Tenere presenti eventuali pericoli coperti da altre superfici o nascosti nell'area di lavoro. Non toccare né danneggiare cavi, condotte, tubi o manicotti contenenti fili elettrici, gas esplosivi o liquidi pericolosi.** Ne potrebbero derivare scosse elettriche, incendi o lesioni fisiche.

#### Sicurezza elettrica

- **Le spine degli utensili elettrici devono corrispondere alla presa di corrente. Non modificare le spine in alcun modo. Non usare riduttori con utensili elettrici collegati a terra (massa).** Le spine non modificate e che corrispondono alle prese ridurranno il rischio di scossa elettrica.
- **Evitare il contatto del corpo con superfici collegate a terra (massa) quali tubi, radiatori, cucine economiche e frigoriferi.** Con il contatto, anche il corpo può essere collegato alla linea di massa e dunque aumenta il rischio di scossa elettrica.
- **Non esporre gli utensili elettrici a pioggia o umidità.** L'infiltrazione di acqua in un utensile elettrico aumenta il rischio di scossa elettrica al momento dell'utilizzo.
- **Non utilizzare erroneamente il cavo. Non usare mai il cavo per trasportare, tirare o scollegare l'utensile elettrico. Tenere il cavo lontano da calore, olio, spigoli vivi o parti in movimento.** I cavi danneggiati o aggrovigliati aumentano il rischio di scosse elettriche.
- **Quando si utilizza un utensile elettrico all'aperto, utilizzare una prolunga idonea a tale uso.** L'uso di un cavo idoneo per utilizzo all'aperto riduce il rischio di scossa elettrica.
- **Se l'utilizzo di un utensile elettrico in un punto umido è inevitabile, utilizzare un'alimentazione protetta da un dispositivo per corrente residua (RCD).** L'utilizzo di un RCD riduce il rischio di scosse elettriche.
- **Usare sempre una tensione di alimentazione adatta.** Una tensione non adatta può provocare elettroshock, incendi, funzionamento anomalo o può causare infortuni agli operatori.
- **Assicurarsi che tutti i fili elettrici e i cavi siano della misura adatta, e che tutte le spine e i connettori siano fissati bene.** Fili elettrici della dimensione errata o collegamenti allentati possono provocare elettroshock, incendi e possibili infortuni agli operatori.

#### Sicurezza Personale

- **Stare attenti, guardare cosa si sta facendo e usare il buon senso quando si adopera un utensile elettrico. Non utilizzare l'utensile elettrico quando si è stanchi o sotto l'influenza di droghe, alcool o farmaci.** Un momento di disattenzione nell'utilizzo di utensili elettrici può provocare gravi lesioni fisiche.
- **Utilizzare attrezzature di sicurezza. Indossare sempre gli occhiali di protezione.** Attrezzature di sicurezza, quali maschere antipolvere, scarpe antinfortunistiche e antiscivolo, caschi o protezioni per le orecchie, usate all'occorrenza, ridurranno il rischio di lesioni fisiche.
- **Evitare l'accensione involontaria dell'utensile. Accertarsi che l'interruttore si trovi in posizione OFF prima di collegare la presa.** Il trasporto di utensili elettrici tenendo il dito sull'interruttore oppure con la spina inserita e l'interruttore su "ON" può provocare incidenti.
- **Togliere dall'utensile chiavi di regolazione o avvitatori prima di accenderlo.** Un avvitatore o una chiave che rimane attaccata a una parte rotante dell'utensile elettrico può provocare lesioni fisiche.
- **Non sporgersi. Mantenere in ogni momento la stabilità e l'equilibrio.** Ciò consente un controllo migliore dell'utensile elettrico in situazioni inattese.
- **Usare un abbigliamento adeguato. Non indossare indumenti troppo larghi o gioielli. Legare i capelli lunghi. Tenere capelli, vestiti e guanti lontani dalle parti mobili.** Vestiti larghi, gioielli o capelli lunghi potrebbero infatti impigliarsi nelle parti mobili.
- **Se sono presenti dei dispositivi per il collegamento ad impianti di estrazione e raccolta della polvere, accertarsi che siano usati e collegati correttamente.** L'uso di tali dispositivi può ridurre i pericoli correlati con la polvere.
- **Usare morsetti o altri sistemi pratici per fissare e supportare il pezzo da lavorare su una piattaforma stabile.** Tenendo il pezzo con la mano o appoggiandolo contro il proprio corpo si crea una situazione di instabilità che può facilmente comportare perdita della presa.
- **Prevenire l'esposizione o l'inalazione di polveri e particelle nocive generate dagli utensili durante il loro funzionamento.**
  - Alcune delle polveri generate da operazioni come sabbatura, segatura, smerigliatura, perforazioni e altre operazioni legate ad attività edili contengono sostanze chimiche che possono causare cancro, malformazioni fetali o altri disturbi dell'apparato riproduttivo. Alcune di queste sostanze sono:
    - piombo contenuto nelle vernici al piombo,
    - silice cristallina contenuta nei mattoni, nel cemento e in altri materiali edili,
    - arsenico o cromo contenuto nel legno trattato.
  - Il rischio derivante dall'esposizione a queste sostanze varia a seconda della frequenza di esecuzione di questo tipo di operazioni. Per ridurre l'esposizione a queste sostanze: lavorare in una zona ben areata e con dispositivi di sicurezza approvati quali mascherine antipolvere progettate per filtrare le particelle microscopiche.

- **Interrompere l'utilizzo dell'utensile se si avverte qualsiasi tipo di disagio, formicolio o dolore.** Vibrazioni, movimenti ripetitivi o posizioni scomode possono essere dannosi per mani e braccia. Gli utensili elettrici possono vibrare durante il loro funzionamento. In caso di dolori a mani e braccia, consultare il medico prima di riprendere a usare gli utensili.
- **L'emissione di vibrazioni durante l'utilizzo effettivo dell'utensile alimentato può differire dal valore dichiarato, a seconda dei modi in cui l'utensile è utilizzato.** Prendere appropriate misure di sicurezza per proteggere l'operatore, in base ad una stima dell'esposizione durante l'utilizzo effettivo
- **Evitare il contatto con le parti mobili dell'utensile.** Gli utensili e/o accessori possono rimanere in movimento per qualche secondo anche una volta tolta la corrente, con il conseguente rischio di impigliamento o lesioni.

### Uso e Manutenzione Degli Utensili Elettrici

- **Non forzare l'utensile elettrico. Usare l'utensile elettrico più adatto all'applicazione.** L'utensile elettrico darà le prestazioni migliori e più sicure se usato alla velocità alla quale è stato progettato per operare.
- **Non usare l'utensile elettrico se non è possibile accenderlo o spegnerlo dall'interruttore.** Gli utensili elettrici non controllabili dall'interruttore sono pericolosi e devono essere riparati.
- **Scollegare l'utensile elettrico dalla fonte di alimentazione elettrica prima di effettuare qualsiasi regolazione, cambio di accessori e prima di riporre l'utensile stesso.** Queste misure di sicurezza preventive riducono il rischio di azionare accidentalmente l'utensile.
- **Conservare gli utensili elettrici inutilizzati fuori dalla portata dei bambini e non consentirne l'impiego a persone non esperte nell'uso di tali utensili o che non siano a conoscenza delle presenti istruzioni.** Gli utensili possono essere pericolosi in mano a personale non qualificato per il loro utilizzo.
- **Eseguire la manutenzione degli utensili elettrici.** Verificare l'eventuale disallineamento o inceppamento delle parti mobili, la rottura di componenti e qualsiasi altra condizione che potrebbe compromettere il funzionamento dell'utensile. In caso di danni, far riparare l'utensile prima di utilizzarlo. Molti incidenti sono dovuti a una cattiva manutenzione.
- **Tenere gli utensili di taglio affilati e puliti.** Gli utensili sottoposti a un'adeguata manutenzione, con bordi taglienti, si inceppano con minor frequenza e sono più facili da controllare. Tenere le impugnature pulite e asciutte per mantenerne il controllo.
- **Usare l'utensile elettrico, gli accessori e le punte degli utensili ecc. attenendosi alle presenti istruzioni e nella maniera idonea per il tipo particolare di utensile elettrico, tenendo conto delle condizioni operative e del lavoro da eseguire.** L'uso dell'utensile elettrico per operazioni diverse da quella di destinazione potrebbe avere come conseguenza una situazione di pericolo.
- **Quando si indossano guanti, assicurarsi che questi non intralcino il disinserimento del meccanismo a farfalla.** Si può andare incontro a lesioni fisiche.
- **Non staccare nessuna etichetta. Sostituire le etichette danneggiate.** Le etichette forniscono informazioni necessarie per un utilizzo sicuro del prodotto.

### Uso e cura della batteria

- **Ricaricare solo con il caricabatterie specificato dal produttore.** Un caricabatterie adatto per un tipo di batterie può innescare incendi se utilizzato con un'altra batteria.
- **Usare l'utensile elettrico soltanto con il gruppo batterie specificamente previsto.** L'utilizzo di un altro gruppo batterie può creare rischio di incendi e lesioni.
- **Quando il gruppo batterie non è in uso, tenerlo lontano da oggetti metallici quali: graffette, monetine, chiavi, chiodi, viti o piccoli oggetti metallici che possano creare un collegamento tra un polo e l'altro.** Cortocircuitare i poli della batteria insieme può provocare ustioni o incendi.
- **In condizioni anomale, dalla batteria può fuoriuscire del liquido: evitare di toccarlo. In caso di contatto accidentale, risciacquare con acqua. Inoltre, se il liquido viene a contatto con gli occhi, rivolgersi a un medico.** Il liquido fuoriuscito dalle batterie può causare irritazioni o ustioni.
- **Accertarsi che l'interruttore si trovi in posizione OFF prima di inserire il gruppo batterie.** L'inserimento del gruppo batterie nell'utensile elettrico con l'interruttore su ON può provocare incidenti.
- **Scollegare il gruppo batteria dall'utensile o posizionare l'interruttore in posizione bloccata OFF (spento) prima di eseguire qualsiasi regolazione o sostituzione degli accessori.** Queste misure di sicurezza preventive riducono il rischio di azionamento accidentale dell'utensile.
- **Gli utensili elettrici si surriscaldano se rimangono attivi quando il motore dell'utensile viene caricato eccessivamente, è bloccato o non ruota correttamente.** Disattivare l'utensile quando si verifica questa condizione. Se l'utensile continua a funzionare in queste condizioni può provocare riscaldamento, fumo o incendio causando lesioni fisiche o danni alle cose.
- **Scollegare il gruppo batteria dall'utensile prima di riporlo o sistemarlo in una cassetta degli attrezzi o una borsa. L'attivazione accidentale dell'utensile quando questo è riposto o durante il trasporto può provocare situazioni di pericolo fra cui il surriscaldamento dell'utensile.** Il funzionamento senza controllo dell'utensile può essere causa di numerosi rischi tra cui: riscaldamento, fumo o incendio.
- **Nonappare i fori di ingresso dell'aria per il raffreddamento dell'alloggiamento, poiché ciò può provocare il surriscaldamento dell'utensile.** L'utilizzo dell'utensile in queste condizioni può provocare surriscaldamento, emissione di fumo o incendio con conseguenti lesioni fisiche o danni materiali.
- **L'utensile potrebbe surriscaldarsi se usato in maniera continuativa o per cicli di lavoro particolarmente pesanti. Interrompere immediatamente l'utilizzo dell'utensile e lasciarlo raffreddare se si surriscalda oppure se ci sono segni di emissione di fumo dal motorino.** Continuare a usare l'utensile in queste condizioni può essere causa di danni allo stesso, con possibili conseguenti lesioni fisiche o danni materiali derivanti da incendi o emissione di fumo.
- **Interrompere immediatamente l'utilizzo e sostituire le batterie surriscaldate durante l'uso o che mostrano una ridotta autonomia.** Normalmente le batterie che presentano questi problemi hanno subito diversi cicli di carica/scarica, oppure sono vecchie o danneggiate. Continuare a usare una batteria che non è in condizioni ottimali può essere causa di lesioni fisiche o danni materiali derivanti da surriscaldamento, incendi o esplosioni.
- **Non modificare questo utensile, né i suoi dispositivi di sicurezza o accessori.** Le modifiche non autorizzate possono provocare scosse elettriche, incendi o lesioni fisiche.
- **Utilizzare solo accessori consigliati da Ingersoll Rand per il modello in questione.** Accessori adatti a un utensile potrebbero essere pericolosi se usati su un altro utensile.
- **Non staccare nessuna etichetta. Sostituire le etichette danneggiate.** Le etichette forniscono informazioni necessarie per un utilizzo sicuro del prodotto.

## Riparazioni

- **L'assistenza all'utensile elettrico deve essere effettuata solo da un tecnico qualificato, che utilizzi esclusivamente parti di ricambio identiche.** Ciò assicurerà il mantenimento della sicurezza dell'utensile elettrico.
- **Durante un intervento di manutenzione sullo strumento, usare solo parti di ricambio Ingersoll Rand originali e seguire tutte le istruzioni.**L'utilizzo di parti non autorizzate o il mancato rispetto delle istruzioni di manutenzione possono provocare scosse elettriche o lesioni.
- **Non bruciare le batterie, non incenerirle né sottoporle a temperature superiori ai 100°C (212°F).** Se non maneggiate in modo corretto, le batterie possono essere causa di incendio o ustione chimica.
- **Riciclare o smaltire le batterie in modo responsabile e in conformità a tutte le specifiche e le norme vigenti (a livello locale, regionale, nazionale, federale, ecc.).** Uno smaltimento inadeguato può danneggiare l'ambiente.

### AVVERTIMENTO

## Regole di Sicurezza Specifiche per il Prodotto

- **Tenere l'utensile dalla parte delle superfici di impugnatura isolanti quando si esegue un'operazione dove l'utensile di taglio può entrare a contatto con fili elettrici nascosti.** Il contatto con un filo sotto tensione metterà in tensione anche le parti metalliche esposte dell'utensile e l'operatore riceverà una scossa.
- **Sui modelli reversibili, osservare bene e tenere presente la posizione del meccanismo di reversione prima di mettere in funzione l'utensile.** Conoscere il senso di rotazione aiuta a mantenere il controllo dell'utensile.
- **Usare esclusivamente portautensili ed accessori resistenti agli urti.** Non usare portautensili e accessori manuali (al cromo). Possono rompersi durante l'utilizzo e provocare lesioni.
- **Controllare periodicamente il lato accoppiamento dell'utensile per assicurarsi che il fermo del supporto portautensili funzioni correttamente e che supporti portautensili e lati accoppiamento non siano eccessivamente usurati.** Entrambe le condizioni possono far staccare il portautensili durante la rotazione.
- **Gli avvitatori a impulsi non sono chiavi dinamometriche. Controllare i raccordi che prevedono una coppia specifica con un torsionmetro dopo aver montato un avvitatore a impulsi.** I dispositivi di fissaggio montati con coppie inadeguate possono allentarsi e provocare lesioni.
- **Non usare i dispositivi di regolazione quando vi sono delle ostruzioni che potrebbero trattenere il regolatore nella posizione di "accesso".**Potrebbe infatti non essere possibile disattivare l'utensile.
- **Non dirigere il fascio luminoso direttamente negli occhi di persone o animali.** Una luce troppo intensa può danneggiare gli occhi.

## Informazioni sulla sicurezza del prodotto: Batteria

### Descrizione del prodotto

Una batteria è un dispositivo che immagazzina l'energia elettrica e viene impiegato come fonte di alimentazione dei prodotti portatili **Ingersoll Rand**.

### AVVERTIMENTO

#### Avvertenze generali per la sicurezza della batteria

- **Avvertenza! Leggere tutte le istruzioni e tutte le avvertenze di sicurezza.** Il mancato rispetto delle istruzioni e delle avvertenze potrebbe comportare scosse elettriche, incendi e/o gravi lesioni.
- **Conservare tutte le avvertenze e le istruzioni come riferimento futuro.**
- **È vostro compito mettere a disposizione queste informazioni di sicurezza alle altre persone che utilizzeranno questo prodotto.** Il mancato rispetto delle specifiche e delle normative può causare lesioni personali.
- **L'installazione, il funzionamento, il collaudo e la manutenzione di questo prodotto devono essere sempre conformi alle specifiche e alle norme vigenti (locali, statali, nazionali, federali ecc.).** È vostro compito provvedere all'osservanza di queste normative. Il mancato rispetto delle specifiche e delle normative può causare lesioni personali.
- Il termine "utensile elettrico" nelle avvertenze si riferisce al proprio utensile alimentato a batteria (senza filo).

#### Sicurezza elettrica

- **Non esporre batterie o utensili elettrici a pioggia o condizioni umide.** L'ingresso di acqua in una batteria o un utensile elettrico aumenta il rischio di scosse elettriche.

#### Sicurezza personale

- **Non modificare questo prodotto, i dispositivi di sicurezza o gli accessori.** Le modifiche non autorizzate possono provocare scosse elettriche, incendi o lesioni personali.

#### Utilizzo e cura di batteria e utensile elettrico

- **Conservare batterie e utensili elettrici a riposo fuori dalla portata dei bambini e vietare a persone non esperte di batterie, utensili elettrici o delle presenti istruzioni l'utilizzo della batteria o dell'utensile elettrico.** Batterie e utensili elettrici rappresentano un pericolo se maneggiati da utenti non esperti.
- **Utilizzare batteria, utensile elettrico, accessori, punte degli utensili ecc. secondo le presenti istruzioni, considerando le condizioni operative e il lavoro da eseguire.** L'utilizzo della batteria o dell'utensile elettrico per operazioni diverse da quelle previste potrebbe comportare una situazione pericolosa.
- **Ricaricare solo con il caricabatterie specificato dal produttore.** Un caricabatterie adatto ad un tipo di gruppo batterie può creare un rischio di incendio se utilizzato con un altro gruppo batterie. Vedere il manuale Informazioni sul prodotto caricabatterie per ulteriori avvertenze specifiche del caricabatterie.
- **Utilizzare gli utensili elettrici soltanto con i gruppi batterie specificamente previsti.** L'utilizzo di qualsiasi altro gruppo batterie può creare un rischio di lesioni o incendio.
- **Quando il gruppo batterie non è in uso, tenerlo lontano da altri oggetti metallici come: graffette, monetine, chiavi, chiodi, viti o altri piccoli oggetti metallici che possono creare un collegamento tra un polo e l'altro.** Cortocircuitare i poli della batteria insieme può provocare scintille, ustioni o incendi.

- **In condizioni abusive, il liquido può fuoriuscire dalla batteria; evitare il contatto. In caso di contatto accidentale, risciacquare con acqua. In caso di contatto del liquido con gli occhi, consultare inoltre il medico.** Il liquido fuoriuscito dalla batteria può causare irritazioni o ustioni.
- **Interrompere immediatamente l'utilizzo e sostituire le batterie surriscaldate durante l'uso o che mostrano una ridotta autonomia.** Normalmente le batterie che presentano questi problemi hanno subito diversi cicli di carica/scarica, oppure sono vecchie o danneggiate. Continuare a usare una batteria che non è in condizioni ottimali può essere causa di lesioni fisiche o danni materiali derivanti da surriscaldamento, incendi o esplosioni.
- **Non staccare le etichette. Sostituire eventuali etichette danneggiate.** Le etichette forniscono informazioni necessarie per utilizzare il prodotto in modo sicuro.
- **Non sottoporre le batterie a urti meccanici.**
- **Non lasciare una batteria in carica prolungata se non in uso.**
- **Se possibile, rimuovere la batteria dall'apparecchiatura se non in uso.**
- **Non utilizzare batterie che siano state fisicamente danneggiate.**

#### Manutenzione

- **Non bruciare le batterie, non incenerirle né sottoporle a temperature superiori ai 100°C (212°F).** Se non maneggiate in modo corretto, le batterie possono essere causa di incendio o ustione chimica.
- **Riciclare o smaltire le batterie in modo responsabile e in conformità a tutte le specifiche e le norme vigenti (a livello locale, regionale, nazionale, federale, ecc.).** Uno smaltimento inadeguato può danneggiare l'ambiente.
- **Non aprire il coperchio o il corpo del prodotto. Al suo interno non ci sono unità che l'utente può sottoporre a manutenzione.** Si possono provocare scosse elettriche o anche lesioni personali.

## Informazioni sulla sicurezza del prodotto: Caricabatteria

### Descrizione del Prodotto

Un caricabatterie è un dispositivo elettrico che converte la corrente alternata dell'alimentazione elettrica in corrente continua per caricare le batterie elettriche.

### AVVERTIMENTO

#### Regole Generali sulla Sicurezza

- **Leggere e accertarsi di aver compreso tutte le istruzioni.** Il mancato rispetto di tutte le istruzioni sopraelencate può causare scosse elettriche, incendi e/o gravi lesioni fisiche.
- **È vostro compito mettere queste informazioni di sicurezza a disposizione delle altre persone che utilizzeranno questo prodotto.** L'inosservanza delle specifiche e delle normative può provocare lesioni fisiche.
- **L'installazione, il funzionamento, il collaudo e la manutenzione di questo prodotto devono essere sempre conformi alle specifiche e alle norme vigenti (locali, statali, nazionali, federali ecc.).** È vostro compito provvedere all'osservanza di queste normative. L'inosservanza delle specifiche e delle normative può provocare lesioni fisiche.
- **È necessario sorvegliare i bambini per assicurarsi che non utilizzino questo prodotto né vi giochino.**
- **L'utilizzo di questo prodotto non è destinato a persone con capacità fisiche, sensoriali o mentali ridotte. Il prodotto non è adatto all'utilizzo da parte di persone che manchino di esperienza e familiarità con lo stesso, a meno che non abbiano ricevuto supervisione o istruzioni relative all'uso del prodotto da una persona responsabile della loro sicurezza.**

#### Sicurezza dell'area di lavoro

- **Non utilizzare il caricabatterie in aree esplosive, per esempio in presenza di liquidi, gas o polveri infiammabili.** Il caricabatterie può creare scintille che possono far esplodere la polvere o i fumi.

#### Sicurezza Elettrica

- **I prodotti a doppio isolamento sono dotati di una spina polarizzata (una lamella è più ampia dell'altra).** Questa spina si inserisce in una presa polarizzata soltanto in un senso. Se la spina non si inserisce completamente nella presa, invertirla. Se ancora non si inserisce, contattare un elettricista qualificato per installare una presa polarizzata. **Non modificare la spina in nessun modo.** Il doppio isolamento rende superflui il cavo di alimentazione tripolare con messa a terra e il sistema di alimentazione elettrica con messa a terra.
- **Non utilizzare erroneamente il cavo. Non usare mai il cavo per trasportare, tirare o scollegare l'utensile elettrico. Tenere il cavo lontano da calore, olio, spigoli vivi o parti in movimento.** I cavi danneggiati o aggrovigliati aumentano il rischio di scosse elettriche.
- **Un prodotto a batteria con batterie integrate o un gruppo batterie separato può essere ricaricato esclusivamente con l'apposito caricabatterie.** Un caricabatterie adatto per un tipo di batterie può innescare incendi se utilizzato con un'altra batteria.
- **Il caricabatterie deve essere utilizzato esclusivamente al chiuso. Non esporre il caricabatterie alla pioggia. Non utilizzare il caricabatterie in luoghi umidi o bagnati,** potrebbero deriverne scosse elettriche o altre lesioni fisiche.
- **Usare sempre la tensione di alimentazione indicata.** Una tensione errata può provocare scosse elettriche, incendi, anomalie di funzionamento e lesioni fisiche.
- **Evitare di toccare i morsetti della batteria con dita, filo o altro materiale conduttivo. Collegare soltanto a una batteria Ingersoll Rand approvata.** Possono deriverne scosse elettriche o altre lesioni fisiche.
- **Non tentare di ricaricare batterie non ricaricabili:** possono deriverne scosse elettriche, incendi o lesioni fisiche.

#### Sicurezza Personale

- **Non modificare questo prodotto, i dispositivi di sicurezza o gli accessori.** Le modifiche non autorizzate possono provocare scosse elettriche, incendi o lesioni fisiche.
- **Non usare questo prodotto per scopi diversi da quelli raccomandati.** In caso contrario possono deriverne scosse elettriche, incendi o lesioni fisiche.
- **Porre il caricabatterie in posizione stabile prima di collegarlo a una fonte di alimentazione. Tenere il caricabatterie fuori dalla portata dei bambini.** Una posizione inadatta o l'utilizzo da parte di bambini può provocare scosse elettriche, incendi o lesioni fisiche.

## Utilizzo e Manutenzione

- **Non utilizzare mai un caricatore danneggiato o guasto. Staccare il caricatore dalla spina immediatamente e ripararlo o sostituirlo.** Ne potrebbero derivare scosse elettriche, incendi o lesioni fisiche.
- **Non staccare nessuna etichetta. Sostituire le etichette danneggiate.** Le etichette forniscono informazioni necessarie per un utilizzo sicuro del prodotto.

## Assistenza

- **L'assistenza deve essere esclusivamente eseguita da un centro di assistenza autorizzato Ingersoll Rand o da tecnici parimenti qualificati.** La riparazione o la manutenzione eseguita da personale non qualificato potrebbe causare lesioni.
- **Non aprire il coperchio o il corpo del prodotto. Al suo interno non ci sono unità che l'utente può sottoporre a manutenzione.** Potrebbero derivarne scosse elettriche o altre lesioni fisiche.
- **Se il cavo di alimentazione è danneggiato, deve essere sostituito da un centro di assistenza autorizzato Ingersoll Rand o da un tecnico parimenti qualificato.** I cavi danneggiati e montati in maniera non corretta aumentano il rischio di scossa elettrica.

## AVVISO

Per ulteriori informazioni sulla sicurezza, consultare il Manuale di informazioni sulla sicurezza del modello specifico.

## Identificazione Simboli di Sicurezza



Rischio di Esplosione.  
Rispettare tutte le procedure di sicurezza per l'utilizzo.



Indossare gli occhiali protettivi



Indossare le cuffie per la protezione dell'udito



Leggere i manuali prima di utilizzare il prodotto



(Dis. 16589525)

## Informazioni sulla Sicurezza – Spiegazione dei Termini Relativi ai Segnali di Sicurezza

### PERICOLO

Questa parola avverte della presenza di una situazione di pericolosità imminente che, se non evitata, può provocare il ferimento o, addirittura, la morte delle persone coinvolte.

### AVVERTIMENTO

Questa parola avverte della presenza di una situazione potenzialmente pericolosa che, se non evitata, può provocare il ferimento o, addirittura, la morte delle persone coinvolte.

### ATTENZIONE

Questa parola avverte della presenza di una situazione potenzialmente pericolosa che, se non evitata, può provocare ferimenti di entità lieve o moderata alle persone o danni alle cose.

### AVVISO

Questa dicitura richiama l'attenzione su informazioni o politiche aziendali che concernono, direttamente o indirettamente, la sicurezza del personale o la protezione dei beni.

## Informazioni sui Componenti del Prodotto

### ATTENZIONE

L'impiego di ricambi diversi dagli originali Ingersoll Rand può compromettere la sicurezza, comportare un peggioramento delle prestazioni e più frequenti operazioni di manutenzione, nonché l'annullamento delle garanzie.

Le riparazioni devono essere effettuate soltanto da personale autorizzato e qualificato. Contattare il centro di assistenza autorizzato Ingersoll Rand più vicino.

Le istruzioni originali sono in lingua inglese. Le altre lingue sono una traduzione delle istruzioni originali. I manuali possono essere scaricati dal sito [ingersollrandproducts.com](http://ingersollrandproducts.com).

Per qualsiasi comunicazione, rivolgersi alla sede o al rivenditore **Ingersoll Rand** più vicino.

## Produktbeschreibung

Ein kabelloser Schlagschrauber ist ein akkubetriebenes fremdkraftbetätigtes Handwerkzeug, das eine Drehwirkung verwendet, um Befestigungselemente mit Gewinde mittels speziell gehärteter abnehmbarer Steckensätze anzuziehen oder zu lösen.

### WARNUNG

#### Allgemeine Sicherheitsregeln

- **Warnhinweis!** Lesen Sie alle Anweisungen. Das Nichtbefolgen aller unten aufgeführten Anweisungen kann zu elektrischen Schlägen, Feuer und/oder ernsthaften Verletzungen führen. Heben Sie alle Hinweise und Anweisungen zur künftigen Bezugnahme auf. Die Bezeichnung "fremdkraftbetriebenes Werkzeug" in allen unten aufgeführten Warnhinweisen bezieht sich auf Ihre netzbetriebenen (verkabelten) oder akkubetriebenen (kabellosen) fremdkraftbetätigten Werkzeuge.
- **Es liegt in Ihrer Verantwortung, diese Sicherheitsinformationen anderen Personen zugänglich zu machen, die mit diesem Produkt arbeiten.** Das Nichtbefolgen der Normen und Regeln kann zu Verletzungen führen.
- **Installieren, bedienen, inspizieren und warten Sie dieses Produkt stets gemäß aller anwendbaren Normen und Vorschriften (lokal, einzelstaatlich, bundesstaatlich, etc.).** Die Befolgung liegt in Ihrer Verantwortlichkeit. Das Nichtbefolgen der Normen und Regeln kann zu Verletzungen führen.

#### Sicherheit im Arbeitsbereich

- **Den Arbeitsbereich sauber und gut beleuchtet halten.** Unordentliche Arbeitsplätze und Dunkelheit fördern Unfälle heraus.
- **Elektrisch betriebene Werkzeuge nicht in explosiven Umgebungen betreiben, etwa in der Nähe entflammbarer Flüssigkeiten, Gase oder Stäube.** Elektrisch betriebene Werkzeuge erzeugen Funken, die diese Stäube oder Dämpfe entzünden könnten.
- **Keine Kinder oder Zuschauer in der Nähe dulden, wenn mit einem elektrisch betriebenen Werkzeug gearbeitet wird.** Ablenkungen können dazu führen, dass man die Kontrolle verliert.
- **Auf verborgene oder andere Gefahrenmomente in der Arbeitsumgebung achten. Keine Anschlusskabel, Durchführungen, Leitungen oder Schläuche kontaktieren oder beschädigen, die elektrische Leitungen, explosive Gase oder gefährliche Flüssigkeiten enthalten könnten.** Elektrische Schläge, Feuer oder Verletzungen könnten die Folge sein.

#### Elektrische Sicherheit

- **Die Stecker von elektrisch betriebenen Werkzeugen müssen in die Steckdose passen. Niemals den Stecker in irgendeiner Weise modifizieren. Niemals Adapterstecker an geerdeten elektrisch betriebenen Werkzeugen verwenden.** Nicht modifizierte Stecker und passende Steckdosen reduzieren das Risiko eines elektrischen Schlags.
- **Den Körperkontakt mit geerdeten Oberflächen wie Leitungen, Heizkörpern, Herden oder Kühlschränken vermeiden.** Die Gefahr von elektrischen Schlägen wird vergrößert, wenn der Körper geerdet ist.
- **Elektrische Werkzeuge keinem Regen oder feuchten Bedingungen aussetzen.** Wenn Wasser in ein elektrisch betriebenes Werkzeug eindringt, steigert das das Risiko von elektrischen Schlägen.
- **Das Kabel nicht missbräuchlich verwenden. Niemals das Kabel zum Tragen, Ziehen oder zum Abziehen des Steckers des elektrisch betriebenen Werkzeug verwenden. Das Kabel von Hitze, Öl, scharfen Kanten oder beweglichen Teilen fernhalten.** Beschädigte oder verhedderte Kabel steigern das Risiko von elektrischen Schlägen.
- **Wenn in elektrisch betriebenes Werkzeug draußen verwendet wird, ist ein passendes Verlängerungskabel für den Gebrauch im Freien zu verwenden.** Die Verwendung eines Verlängerungskabels für den Gebrauch im Freien vermindert das Risiko von elektrischen Schlägen.
- **Wenn sich der Betrieb eines elektrischen Werkzeugs an einem feuchten Ort nicht vermeiden lässt, verwenden Sie eine Stromversorgung, die durch eine Fehlerstromeinrichtung geschützt ist.** Die Verwendung einer Fehlerstromeinrichtung senkt das Risiko von elektrischen Schlägen.
- **Verwenden Sie immer die angegebene Versorgungsspannung.** Eine falsche Versorgungsspannung kann zu elektrischen Schlägen, Feuer, unnormalem Betriebsverhalten und zu Verletzungen führen.
- **Stellen Sie sicher, dass alle elektrischen Kabel und Leitungen den korrekten Querschnitt haben und dass alle Stecker und Steckverbinder fest und sicher sitzen.** Ein zu geringer Kabelquerschnitt und lose Verbindungen können zu elektrischen Schlägen, Feuer und zu Verletzungen führen.

#### Sicherheit des Personals

- **Wachsam bleiben, aufpassen, was man tut und gesunden Menschenverstand anwenden, wenn mit elektrisch betriebenen Werkzeugen gearbeitet wird.** Das elektrisch betriebene Werkzeug nicht benutzen, wenn man müde ist oder unter dem Einfluss von Drogen, Alkohol oder Medikamenten steht. Schon ein Moment der Unachtsamkeit kann beim Betrieb von elektrischen Werkzeugen zu ernsthaften Verletzungen führen.
- **Sicherheitsausrüstung verwenden. Immer einen Augenschutz tragen.** Sicherheitsausrüstung wie eine Staubschutzmaske, rutschfeste Sicherheitsschuhe, Schutzhelm oder Gehörschutz, verwendet unter entsprechenden Bedingungen, vermindern die Verletzungsgefahr.
- **Unbeabsichtigtes Starten vermeiden. Stellen Sie sicher, dass sich der Schalter in der Stellung OFF (Aus) befindet, bevor das Kabel eingesteckt wird.** Das Tragen von elektrisch betriebenen Werkzeugen mit dem Finger am Schalter oder das Einstecken der Stromversorgung mit dem Schalter in der Stellung ON (An) fordert Unfälle heraus.
- **Einstell- oder Schraubenschlüssel entfernen, bevor das elektrisch betriebene Werkzeug angeschaltet wird.** Ein noch an einem drehenden Teil des elektrisch betriebenen Werkzeugs befestigter Einstell- oder Schraubenschlüssel kann zu Verletzungen führen.
- **Sich nicht übernehmen. Jederzeit für sicheren Stand und gutes Gleichgewicht sorgen.** Dies sorgt für bessere Kontrolle über das elektrisch betriebene Werkzeug in unerwarteten Situationen.
- **Korrekte Bekleidung verwenden. Keine zu lockere Bekleidung oder Schmuck tragen. Langes Haar zusammenbinden. Die Haare, Bekleidung und Handschuhe von beweglichen Teilen fernhalten.** Lockere Bekleidung, Schmuck oder lange Haare können in bewegliche Teile eingezogen werden.
- **Wenn Geräte mit einem Anschluss für Staubabsaugung und Entsorgungseinrichtungen ausgestattet sind, ist sicherzustellen, dass diese angeschlossen sind und korrekt verwendet werden.** Die Verwendung dieser Einrichtungen kann Gefahren reduzieren, die auf Staub zurückzuführen sind.
- **Klammern oder andere Vorrichtungen verwenden, um das Werkstück auf einer stabilen Unterlage zu sichern und zu stützen.** Beim Halten des Werkstücks mit der Hand oder gegen den Körper fehlt die Stabilität und es kann zu einem Verlust der Kontrolle kommen.
- **Sich nicht gefährlichen Dämpfen oder Teilchen aussetzen oder sie einatmen, die bei der Verwendung von elektrisch betriebenen Werkzeugen entstehen können.**
  - Verschiedene Stäube, die beim elektrischen Schmirgeln, Sägen, Schleifen, Bohren oder anderen Arbeitsaktivitäten entstehen können, enthalten Chemikalien, die nachweislich Krebs, Geburtsschäden oder andere Fortpflanzungsschäden verursachen. Einige Beispiele für solche Chemikalien sind:
    - Blei von bleihaltigen Farben,
    - kristalline Kieselerde von Ziegelsteinen oder Zement und anderen Maurerprodukten, sowie
    - Arsen und Chrom aus chemisch behandeltem Nutzholz.

- Ihr Risiko im Umgang mit diesen Einwirkungen variiert mit der Häufigkeit, in der Sie diese Art von Arbeiten ausführen. Um diese Einwirkungen zu reduzieren, sollte man in gut belüfteten Bereichen arbeiten und geprüfte Sicherheitsausrüstung verwenden, wie etwa Staubmasken, die speziell zum Filtern mikroskopisch kleiner Partikel entwickelt wurden.
- **Die Verwendung jedes Werkzeugs sofort abbrechen, wenn man sich unwohl oder kribbelig fühlt oder wenn Schmerzen auftreten.** Vibrationen, sich wiederholende Bewegungen oder unbequeme Stellungen können schädlich für Hände und Arme sein. Elektrisch betriebene Werkzeuge können bei der Verwendung vibrieren. Vor der Wiederaufnahme der Tätigkeit medizinischen Rat einholen.
- **Die Schwingung während der tatsächlichen Anwendung des Elektrowerkzeugs kann von dem angegebenen Wert abweichen, abhängig davon, wie das Werkzeug verwendet wird.** Unternehmen Sie entsprechende Sicherheitsmaßnahmen zum Schutz des Bedieners auf der Grundlage einer Einschätzung der tatsächlichen Benutzungsdauer
- **Kontakt mit den beweglichen Teilen des Werkzeugs vermeiden.** Werkzeug und/oder Zubehör können sich kurz weiter bewegen, nachdem der Strom abgestellt wurde, wodurch es zur Gefahr einer Verwicklung oder Verletzungen kommen kann.

## Verwendung und Pflege von elektrisch betriebenen Werkzeugen

- **Das elektrisch betriebene Werkzeug nicht überbeanspruchen. Verwenden Sie das korrekte elektrisch betriebene Werkzeug für Ihre Anwendung.** Das korrekte elektrisch betriebene Werkzeug verrichtet die Arbeit besser und sicherer unter den Bedingungen, für die es entwickelt wurde.
- **Das elektrisch betriebene Werkzeug nicht verwenden, wenn der Schalter nicht in der Lage ist, es an oder aus zu schalten.** Jedes elektrisch betriebene Werkzeug, das nicht über den Schalter gesteuert werden kann, ist gefährlich und muss repariert werden.
- **Bevor irgendwelche Einstellungen vorgenommen werden, Zubehör ausgetauscht oder das elektrisch betriebene Werkzeug eingelagert wird, ist das Werkzeug von der Stromversorgung zu trennen.** Durch diese präventive Sicherheit wird das Risiko verringert, dass das Werkzeug versehentlich gestartet wird.
- **Nicht verwendete elektrisch betriebene Werkzeug außerhalb der Reichweite von Kindern einlagern und Personen, die nicht mit dem Werkzeug oder diesen Anweisungen vertraut sind, nicht gestatten, mit dem Werkzeug zu arbeiten.** Werkzeuge sind in der Hand des ungeübten Benutzers gefährlich.
- **Auf falsche Ausrichtung oder Schwergängigkeit beweglicher Teile, Schäden an Teilen und andere Bedingungen prüfen, die den Betrieb des elektrisch betriebenen Werkzeugs beeinflussen könnten. Wenn es beschädigt ist, dass elektrisch betriebene Werkzeug vor der Verwendung warten lassen.** Viele Unfälle werden durch schlecht gewartete elektrisch betriebene Werkzeuge verursacht.
- **Schneidwerkzeuge scharf und sauber halten.** Korrekt gewartete Werkzeuge mit scharfen Schneidkanten bleiben nicht so leicht stecken und sind leichter zu handhaben. Die Griffe zur Aufrechterhaltung der Kontrolle sauber und trocken halten.
- **Das elektrisch betriebene Werkzeug, das Zubehör, die Bits etc. in Übereinstimmung mit diesen Anweisungen und auf die Art verwenden, für die dieser spezielle Typ eines Werkzeugs gedacht ist, und dabei die Arbeitsbedingungen und die durchzuführende Arbeit mit in Betracht ziehen.** Die Verwendung des elektrisch betriebenen Werkzeug für andere als die gedachten Verwendungszwecke kann zu gefährlichen Situationen führen.
- **Beim Tragen von Handschuhen immer sicherstellen, dass die Handschuhe nicht verhindern, dass der Drückermechanismus freigegeben wird.** Verletzungen könnten sonst die Folge sein.
- **Keine Etiketten entfernen. Jedwede beschädigten Etiketten ersetzen.** Die Etiketten liefern Informationen, die für die sichere Verwendung des Produkts erforderlich sind.

## Verwendung und Pflege von Akkus

- **Nur mit dem Ladegerät aufladen, welches vom Hersteller vorgegeben ist.** Ein Ladegerät, welches für einen Akkutyp passen kann, kann eine Brandgefahr hervorrufen, wenn es mit einem anderen Akku verwendet wird.
- **Elektrisch betriebene Werkzeuge nur mit dem dafür angegebenen Akkupack verwenden.** Die Verwendung anderer Akkus kann zu einer Verletzungs- oder Brandgefahr führen.
- **Wird das Akkupack nicht verwendet, ist es von anderen metallenen Objekten fernzuhalten. Dies sind etwa: Büroklammern, Münzen, Schlüssel, Nägel, Schrauben oder alle anderen kleinen Metallobjekte, die eine Verbindung von einem Anschluss zum anderen herstellen könnten.** Das Kurzschließen der Akkuanschlüsse kann zu Verbrennungen oder Feuern führen.
- **Bei mißbräuchlicher Verwendung kann Flüssigkeit aus dem Akku austreten; den Kontakt damit vermeiden. Kommt es versehentlich dennoch zu einem Kontakt, sofort mit Wasser spülen. Wenn die Flüssigkeit zusätzlich mit den Augen in Berührung kommt, ist medizinische Hilfe hinzu zu ziehen.** Aus Akkus ausgelaufene Flüssigkeit kann zu Reizungen oder Verbrennungen führen.
- **Sicherstellen, dass sich der Schalter in der Stellung OFF (Aus) befindet, bevor das Akkupack eingesetzt wird.** Das Einsetzen des Akkupacks mit dem Schalter in der Stellung ON (An) fordert Unfälle heraus.
- **Trennen Sie das Akkupack vom Werkzeug oder bringen Sie den Schalter in die Stellung Locked Off (gesperrt), bevor irgendwelche Einstellungen vorgenommen werden oder Zubehör ausgetauscht wird.** Durch diese präventive Sicherheit wird das Risiko verringert, dass das Werkzeug versehentlich gestartet wird.
- **Elektrische Werkzeuge überhitzen, wenn sie an bleiben, während der Motor schwer belastet, abgewartet oder anderweitig am Drehen gehindert wird. Stellen Sie das Werkzeug aus, wenn dies geschieht. Das weitere Betreiben des Werkzeugs unter diesen Bedingungen kann zu Hitze- oder Rauchbildung oder einem Brand führen.** Verletzungen oder Sachschäden können die Folge sein.
- **Trennen Sie das Akkupack vom Werkzeug, bevor Sie das Werkzeug einlagern oder in einen Werkzeugkoffer/eine Werkzeugtasche legen. Versehentliches Starten während der Lagerung oder des Transports kann zu gefährlichen Bedingungen sowie zu einer Überhitzung des Werkzeugs führen.** Ein unkontrollierter Betrieb des Werkzeugs kann zu verschiedenen Gefahrensituationen wie etwa Überhitzung, Rauchbildung oder Brandgefahr führen.
- **Die Luftlöcher zur Gehäusekühlung nicht blockieren, da es sonst zu einer Überhitzung des Werkzeugs kommen könnte.** Die weitere Verwendung des Werkzeugs unter diesen Bedingungen kann zu Hitze- oder Rauchbildung oder einem Brand mit möglichen Verletzungen oder Sachschäden führen.
- **Das Werkzeug kann bei andauernder Verwendung oder anderen schweren Arbeitsbedingungen überhitzen. Den Betrieb sofort unterbrechen und das Werkzeug abkühlen lassen, wenn irgendein Teil des Werkzeugs zu heiß zum Berühren wird oder sich Anzeichen von Rauch vom Motor zeigen.** Die weitere Verwendung des Werkzeugs unter diesen Bedingungen verursacht Schäden am Werkzeug und kann zu Verletzungen oder Sachschäden durch Hitze oder Brand führen.
- **Die Verwendung sofort beenden und Akkus austauschen, die beim Betrieb übermäßig heiß werden oder nur kurze Verwendungszeiten aufweisen.** Üblicherweise wurden diese Akkus schon häufiger ge- und entladen oder sind alt oder beschädigt. Die weitere Verwendung eines beschädigten Akkus kann zu Verletzungen oder Sachschäden durch Hitze, Brand oder Explosionen führen.
- **Dieses Werkzeug, die Sicherheitsvorrichtungen oder das Zubehör nicht modifizieren.** Unautorisierte Modifikationen können zu elektrischen Schlägen, Feuer oder Verletzungen führen.
- **Nur Zubehör verwenden, welches von Ingersoll Rand für Ihr Modell empfohlen wird.** Zubehör, das an einem Werkzeug passen mag, kann an einem anderen zur Gefahr werden.
- **Keine Etiketten entfernen. Jedwede beschädigten Etiketten ersetzen.** Die Etiketten liefern Informationen, die für die sichere Verwendung des Produkts erforderlich sind.

## Wartung

- **Lassen Sie Ihr elektrisch betriebenes Werkzeug nur von qualifiziertem Wartungspersonal und unter Verwendung von Originalersatzteilen warten.** Dies garantiert, dass die Sicherheit des elektrisch betriebenen Werkzeugs aufrecht erhalten bleibt.
- **Bei der Wartung nur originale Ingersoll Rand-Ersatzteile verwenden und allen Wartungsanweisungen folgen.** Die Verwendung nicht autorisierter Teile oder das Nichtbefolgen der Wartungsanweisungen können zu elektrischen Schlägen oder Verletzungen führen.
- **Akkus nicht im Feuer entsorgen, verbrennen oder auf über 100°C (212°F) erhitzen.** Akkus bergen eine Brandgefahr oder Gefahr chemischer Verbrennungen, wenn sie falsch behandelt werden.
- **Verantwortungsbewusste Entsorgung der Akkus in Übereinstimmung mit allen anwendbaren Normen und Vorschriften (lokalen, staatlichen, Landes-, bundesstaatlichen usw.).** Unkorrekte Entsorgung kann zu einer Gefährdung der Umwelt führen.

### WARNUNG

#### Spezifische Sicherheitsregeln für das Produkt

- **Das Werkzeug an den isolierten Griffflächen halten, wenn eine Arbeit durchgeführt wird, bei der das Schneidwerkzeug möglicherweise mit verborgener Verkabelung in Kontakt kommen kann.** Kontakt mit einem stromführenden Kabel kann freiliegende Metallteile des Werkzeugs ebenfalls stromführend machen und dem Betreiber einen elektrischen Schlag versetzen.
- **Bei umschaltbaren Modellen die Stellung des Umschaltmechanismus vor dem Betrieb notieren.** Das Wissen um die Drehrichtung ist wichtig bei der Aufrechterhaltung der Kontrolle über das Werkzeug.
- **Nur Schlagschrauber-Einsätze und -Zubehör verwenden.** Keine Einsätze oder Zubehör für Handwerkzeuge (verchromt) verwenden. Sie können bei der Arbeit brechen und Verletzungen verursachen.
- **Regelmäßig das Antriebsende des Werkzeugs prüfen, um sicherzustellen, dass die Einsatzbefestigung korrekt funktioniert und das Einsätze und Antriebsenden nicht übermäßig verschlissen sind.** Jede dieser Bedingungen könnte dazu führen, dass sich der Einsatz während der Drehung löst.
- **Schlagschrauber sind keine Drehmomentschlüssel. Verbindungen, die ein bestimmtes Drehmoment erfordern, müssen nach dem Anziehen mit dem Schlagschrauber mit Hilfe eines Drehmomentmessgerätes überprüft werden.** Nicht korrekt angezogene Befestigungselemente können sich lösen und Verletzungen verursachen.
- **Freiliegende Drücker dürfen nicht verwendet werden, wo Behinderungen den Drücker in der Stellung ON (AN) halten könnten.** Möglicherweise wäre das Werkzeug nicht mehr auszuschalten.
- **Niemals mit dem Lichtstrahl in die Augen eines Menschen oder Tieres leuchten.** Helles Licht kann Augenverletzungen verursachen.

#### Hinweise zur Produktsicherheit: Akku

##### Produktbeschreibung

Eine Batterie ist eine elektrische Speichereinrichtung, die als elektrische Speichereinheit für kabellose Ingersoll Rand Produkte verwendet wird.

### WARNUNG

#### Allgemeine Warnhinweise zum Akku

- **Warnhinweis! Lesen Sie alle Sicherheitshinweise und Anweisungen.** Eine Nichteinhaltung der Hinweise und Anweisungen kann zu Elektroschock, Bränden und/oder schweren Verletzungen führen.
- **Heben Sie alle Hinweise und Anweisungen zur künftigen Bezugnahme auf.**
- **Es liegt in Ihrer Verantwortung, diese Sicherheitsinformationen anderen Personen verfügbar zu machen, die mit diesem Produkt arbeiten.** Das Nichtbefolgen der Normen und Regeln kann zu Verletzungen führen.
- **Installieren, betreiben und inspizieren Sie dieses Produkt immer in Übereinstimmung mit allen zutreffenden Normen und Regeln (lokalen, bundesstaatlichen, staatlichen etc.).** Die Befolgung liegt in Ihrer Verantwortlichkeit. Das Nichtbefolgen der Normen und Regeln kann zu Verletzungen führen.
- Der Begriff "Elektrowerkzeug" bezieht sich auf Ihr akkubetriebenes (kabelloses) Elektrowerkzeug.

#### Elektrische Sicherheit

- **Die Akkus oder das Elektrowerkzeug nicht Regen oder anderen feuchten Umgebungsbedingungen aussetzen.** Gelangt Wasser in den Akku oder das Elektrowerkzeug, besteht das Risiko eines elektrischen Schlags.

#### Sicherheit des Personals

- **Dieses Produkt, die Sicherheitsvorrichtungen oder das Zubehör nicht modifizieren.** Unautorisierte Modifikationen können zu elektrischen Schlägen, Feuer oder Verletzungen führen.

#### Gebrauch und Pflege von Akkus und Elektrowerkzeug

- **Nicht benutzte Akkus und Elektrowerkzeuge dürfen nicht in Reichweite von Kindern aufbewahrt oder von Personen, die nicht mit diesen vertraut sind, bedient werden.** Akkus und Elektrowerkzeuge können gefährlich sein, wenn sie von nicht geschulten Personen gehandhabt werden.
- **Der Akku, das Elektrowerkzeug, Zubehör und Werkzeugteile usw. sind unter Beachtung dieser Anleitung zu handhaben. Dabei sind auch die Arbeitsbedingungen und die Art der durchzuführenden Arbeiten zu berücksichtigen.** Der Gebrauch des Akkus oder des Elektrowerkzeugs für andere Zwecke als die, für die sie bestimmt sind, könnte zu einer gefährlichen Situation führen.
- **Nur mit dem vom Hersteller vorgegebenen Ladegerät aufladen.** Wird ein Ladegerät zum Aufladen eines Akku-Typs verwendet, für den es nicht bestimmt ist, droht Brandgefahr. Weitere spezielle Warnhinweise zum Ladegerät finden Sie in den entsprechenden Produktinformationen.
- **Elektrisch betriebene Werkzeuge nur mit den für diese bestimmten Akkus verwenden.** Werden andere Akkus verwendet, entsteht die Gefahr eines Brandes oder von Verletzungen.
- **Wird das Batteriepaket nicht verwendet, ist es von anderen metallenen Objekten fernzuhalten. Dies sind etwa: Büroklammer, Münzen, Schlüssel, Nägel, Schrauben oder alle anderen kleinen Metallobjekte, die eine Verbindung von einer Klemme zur anderen herstellen könnten.** Das Kurzschließen der Batterieklammern kann zu Funken, Verbrennungen oder Feuern führen.
- **Bei missbräuchlicher Verwendung kann Flüssigkeit aus dem Akku austreten; den Kontakt mit dieser unbedingt vermeiden. Kommt es versehentlich dennoch zu einem Kontakt, sofort mit Wasser spülen. Falls die Flüssigkeit mit den Augen in Kontakt kommt, zusätzlich einen Arzt aufsuchen.** Aus Akkus ausgelaufene Flüssigkeit kann zu Hautreizungen oder Verbrennungen führen.

- **Die Verwendung sofort beenden und Akkus austauschen, die beim Betrieb übermäßig heiß werden oder nur kurze Verwendungszeiten aufweisen.** Üblicherweise wurden diese Akkus schon häufiger geladent und entladen oder sind alt oder beschädigt. Die weitere Verwendung eines beschädigten Akkus kann zu Verletzungen oder Sachschäden durch Hitze, Brand oder Explosionen führen.
- **Keine Etiketten entfernen. Jedwede beschädigten Etiketten ersetzen.** Die Etiketten liefern Informationen, die für die sichere Verwendung des Produkts erforderlich sind.
- **Die Akkus nicht Erschütterungen aussetzen.**
- **Die Akkus nicht länger als nötig im Ladezustand belassen, falls sie nicht gebraucht werden.**
- **Sofern möglich, die Akkus aus dem Gerät entfernen, solange sie nicht gebraucht werden.**
- **Akkus, die eine Beschädigung aufweisen, keinesfalls verwenden.**

#### Wartung

- **Akkus nicht im Feuer entsorgen, verbrennen oder auf über 100°C (212°F) erhitzen.** Akkus bergen eine Brandgefahr oder Gefahr chemischer Verbrennungen, wenn sie falsch behandelt werden.
- **Verantwortungsbewußte Entsorgung der Akkus in Übereinstimmung mit allen anwendbaren Normen und Vorschriften (lokalen, staatlichen, Landes, bundesstaatlichen usw.).** Unkorrekte Entsorgung kann zu einer Gefährdung der Umwelt führen.
- **Deckel oder Gehäuse nicht öffnen. Es befinden sich keine vom Benutzer zu wartenden Teile im Inneren.** Elektrische Schläge oder Verletzungen könnten die Folge sein.

### Hinweise zur Produktsicherheit: Batterieladegerät

#### Produktbeschreibung

Ein Akkuladegerät ist ein elektrisches Gerät, welches Wechselstrom in Gleichstrom umwandelt, der gebraucht wird, um elektrische Speicherakkus zu laden.



#### Allgemeine Sicherheitsregeln

- **Lesen und verstehen Sie all diese Anweisungen.** Das Nichtbefolgen der unten aufgeführten Anweisungen kann zu elektrischen Schlägen, Feuer und/oder ernsthaften Verletzungen führen.
- **Es liegt in Ihrer Verantwortung, diese Sicherheitsinformationen anderen Personen zugänglich zu machen, die mit diesem Produkt arbeiten.** Das Nichtbefolgen der Normen und Regeln kann zu Verletzungen führen.
- **Installieren, bedienen, inspizieren und warten Sie dieses Produkt stets gemäß aller anwendbaren Normen und Vorschriften (lokal, einzelstaatlich, bundesstaatlich, etc.).** Die Befolgung liegt in Ihrer Verantwortlichkeit. Das Nichtbefolgen der Normen und Regeln kann zu Verletzungen führen.
- **Kinder sollten beaufsichtigt werden, um sicherzustellen, dass sie das Produkt nicht benutzen oder damit spielen.**
- **Dieses Produkt ist nicht für die Verwendung durch Personen mit eingeschränkter körperlicher, sensorischer oder mentaler Fähigkeiten oder unzureichender Erfahrung oder Kenntnis vorgesehen, es sei denn, diese Personen sind von einer für ihre Sicherheit verantwortlichen Person in die Benutzung des Produkts eingewiesen worden.**

#### Sicherheit im Arbeitsbereich

- **Akkulader nicht in explosiven Umgebungen betreiben, etwa in der Nähe entflammbarer Flüssigkeiten, Gase oder Stäube.** Akkulader können Funken erzeugen, die diese Stäube oder Dämpfe entzünden könnten.

#### Elektrische Sicherheit

- **Doppelt isolierte Produkte sind mit einem polarisierten Stecker ausgestattet (ein Kontakt ist breiter als der andere). Dieser Stecker passt nur auf eine Art in eine polarisierte Dose. Passt der Stecker nicht vollständig in die Dose, ist er umzudrehen. Passt er dann immer noch nicht, ist ein qualifizierter Elektriker zu Rate zu ziehen, um eine polarisierte Dose zu installieren. Den Stecker keinesfalls verändern.** Die doppelte Isolierung sorgt dafür, dass kein dreikabeliges, geerdetes Kabel und kein geerdetes Stromversorgungssystem benötigt wird.
- **Das Kabel nicht missbräuchlich verwenden. Niemals das Kabel zum Tragen, Ziehen oder zum Abziehen des Steckers des elektrisch betriebenen Werkzeug verwenden. Das Kabel von Hitze, Öl, scharfen Kanten oder beweglichen Teilen fernhalten.** Beschädigte oder verhedderte Kabel steigern das Risiko von elektrischen Schlägen.
- **Ein akkubetriebenes Werkzeug mit integrierten Akkus oder separatem Akkupack darf ausschließlich mit dem für den Akku vorgeschriebenen Ladegerät wieder aufgeladen werden.** Ein Ladegerät, welches für einen Akkutyp passen kann, kann eine Brandgefahr hervorrufen, wenn es mit einem anderen Akku verwendet wird.
- **Das Ladegerät ist nur für den Innengebrauch geeignet. Das Ladegerät keinem Regen aussetzen. Das Ladegerät nicht in Dampf oder an feuchten Orten verwenden.** Elektrische Schläge oder Verletzungen könnten die Folge sein.
- **Immer die korrekte Versorgungsspannung verwenden.** Eine falsche Versorgungsspannung kann zu elektrischen Schlägen, Feuer, unnormalem Betriebsverhalten und zu Verletzungen führen.
- **Es ist zu vermeiden, die Akkuladeanschlüsse mit den Fingern, Kabeln oder leitenden Materialien zu berühren. Nur an zugelassene Ingersoll Rand-Akkus anschließen.** Elektrische Schläge oder Verletzungen könnten die Folge sein.
- **Nicht versuchen, nicht wiederaufladbare Batterien wieder aufzuladen.** Elektrische Schläge, Feuer oder Verletzungen könnten die Folge sein.

#### Sicherheit des Personals

- **Dieses Produkt, die Sicherheitsvorrichtungen oder das Zubehör nicht modifizieren.** Unautorisierte Modifikationen können zu elektrischen Schlägen, Feuer oder Verletzungen führen.
- **Dieses Produkt nicht zu anderen als den empfohlenen Zwecken verwenden.** Elektrische Schläge, Feuer oder Verletzungen könnten die Folge sein.
- **Das Ladegerät in eine stabile Lage bringen, bevor es an eine Stromquelle angeschlossen wird. Kinder vom Ladegerät fernhalten.** Ein falsche Lage oder die Verwendung durch Kinder kann zu elektrischen Schlägen, Feuer oder Verletzungen führen.

#### Verwendung und Pflege

- **Verwenden Sie niemals ein beschädigtes oder nicht richtig funktionierendes Ladegerät. Stecken Sie das Ladegerät sofort aus und lassen es reparieren oder ersetzen Sie es.** Eine weitere Verwendung kann zu elektrischen Schlägen, Feuer oder Verletzungen führen.
- **Keine Etiketten entfernen. Jedwede beschädigten Etiketten ersetzen.** Die Etiketten liefern Informationen, die für die sichere Verwendung des Produkts erforderlich sind.

## Wartung

- Die Wartung darf nur von durch Ingersoll Rand autorisierte Servicecentern oder durch ähnlich qualifiziertes Wartungspersonal durchgeführt werden. Durch unqualifiziertes Personal vorgenommene Wartungsarbeiten können ein Verletzungsrisiko nach sich ziehen.
- Deckel oder Gehäuse nicht öffnen. Es befinden sich keine vom Benutzer zu wartenden Teile im Inneren. Elektrische Schläge oder Verletzungen könnten die Folge sein.
- Wenn das Versorgungskabel beschädigt ist, muss es durch von Ingersoll Rand autorisierte Servicecenter oder von ähnlich qualifiziertem Wartungspersonal ausgetauscht werden. Beschädigte und unkorrekt installierte Kabel steigern das Risiko von elektrischen Schlägen.

### Hinweis

Für modellspezifische Sicherheitsinformationen siehe im Handbuch, Produktinformationen.

### Identifizierung der Sicherheitssymbole



Explosionsgefahr.  
Alle Sicherheitsmaßnahmen für den Gebrauch beachten.



Augenschutz  
tragen



Gehörschutz  
tragen






Handbücher vor dem Einsatz des  
Produkts lesen



(Zeichnung 16589525)

### Sicherheitsinformationen – Erklärung der Sicherheits-Signalwörter

 <b>GEFAHR</b>	Weist auf eine unmittelbare Gefahrensituation hin, die zu vermeiden ist, da sie zu ernsthaften Verletzungen oder sogar zum Tod von Personen führen kann.
 <b>WARNUNG</b>	Weist auf eine potenzielle Gefahrensituation hin, die zu vermeiden ist, da sie zu ernsthaften Verletzungen oder sogar zum Tod von Personen führen kann.
 <b>VORSICHT</b>	Weist auf eine potenzielle Gefahrensituation hin, die zu vermeiden ist, da sie zu geringfügigeren Verletzungen oder zur Beschädigung von Gegenständen führen kann.
<i>Hinweis</i>	Weist auf Informationen oder Unternehmensrichtlinien hin, die sich direkt oder indirekt auf die Sicherheit von Personal oder den Schutz von Gegenständen beziehen.

### Produkt-Teileinformation

#### **VORSICHT**

Die Verwendung anderer als originaler Ingersoll Rand-Ersatzteile kann zu Gefährdungen, verringerter Werkzeuggestaltung und mehr Wartungsaufwand sowie zum Verfall jedweder Garantieansprüche führen.

Reparaturen dürfen nur von geschultem Personal durchgeführt werden. Wenden Sie sich an das nächste von Ingersoll Rand autorisierte Servicecenter.

Die Originalanleitung ist in englischer Sprache verfasst. Bei anderen Sprachen handelt es sich um eine Übersetzung der Originalanleitung. Handbücher können unter [ingersollrandproducts.com](http://ingersollrandproducts.com) heruntergeladen werden.

Führen Sie jedwede Kommunikation bitte über das nächste **Ingersoll Rand**-Büro oder eine entsprechende Werksvertretung.

## Productbeschrijving

Een draadloze slagmoersleutel is een door een accu bekrachtigd handgereedschap dat schroefdraadbevestigingen door middel van roterende inslagen met speciaal geharde afneembare doppen vast- of losdraait.

### WAARSCHUWING

#### Algemene Veiligheidsvoorschriften

- **Waarschuwing!** Lees alle instructies. Het niet opvolgen van alle onderstaande instructies kan leiden tot elektrische schokken, brand en/of ernstig letsel. Houd alle waarschuwingen en instructies bij voor later gebruik. De term "elektrisch gereedschap" in alle onderstaande waarschuwingen heeft betrekking op via de netspanning aangedreven gereedschap (met snoer) of op via een accu aangedreven gereedschap (snoerloos).
- **Het is uw verantwoordelijkheid om deze veiligheidsinformatie ter beschikking te stellen aan andere personen die dit product gaan gebruiken.** Het niet opvolgen van voorschriften en regels kan lichamelijk letsel tot gevolg hebben.
- **Installeer, bedien, controleer en onderhoud dit product altijd in overeenstemming met alle geldende voorschriften en regels (overheid, bedrijf, enz.).** Het naleven van de regels is uw verantwoordelijkheid. Het niet opvolgen van voorschriften en regels kan lichamelijk letsel tot gevolg hebben.

#### Veiligheid op de werkvloer

- **Houd de werkomgeving schoon en goed verlicht.** Rommelige werkbanks en slechte verlichting leiden tot ongelukken.
- **Bedien elektrisch gereedschap niet op plaatsen waar ontplofingsgevaar aanwezig is. Bijvoorbeeld in de buurt van ontvlambare vloeistoffen, gassen of stof.** Elektrisch gereedschap vonkt, wat ontbranding van stof of dampen kan veroorzaken.
- **Houd kinderen en omstanders uit de buurt wanneer u elektrisch gereedschap bedient.** Afdeling kan ervoor zorgen dat u het gereedschap niet meer onder controle hebt.
- **Wees bedacht op verborgen gevaren in uw werkomgeving. Raak geen snoeren, buizen, leidingen of slangen aan die elektrische bedrading, explosieve gassen of schadelijke vloeistoffen kunnen bevatten.** Dit kan leiden tot elektrische schokken, brand of lichamelijk letsel.

#### Elektriciteit en Veiligheid

- **Stekkers van elektrisch gereedschap moeten worden aangesloten op een passend stopcontact. De stekker mag onder geen beding worden veranderd. Gebruik bij geaard elektrisch gereedschap geen verloopstekkers.** Door gebruik te maken van de originele stekkers en de juiste stopcontacten, vermindert u de kans op een elektrische schok.
- **Vermijd lichaamscontact met geaarde oppervlakken zoals leidingen, radiatoren, fornuizen en koelkasten.** De kans op een elektrische schok wordt groter als uw lichaam is geaard.
- **Stel elektrisch gereedschap niet bloot aan regen of een natte omgeving.** Wanneer water dit elektrisch gereedschap binnendringt, neemt de kans op een elektrische schok toe.
- **Ga verstandig om met snoeren. Gebruik het snoer nooit om het gereedschap te dragen of te verslepen. Trek niet aan het snoer om de stekker uit het stopcontact te halen. Houd het snoer uit de buurt van hitte, olie, scherpe randen en bewegende delen.** Beschadigde of verwarde snoeren vergroten het risico op een elektrische schok.
- **Wanneer u elektrisch gereedschap buiten gebruikt, moet u een verlengsnoer gebruiken dat geschikt is voor gebruik buitenshuis.** Wanneer u een snoer gebruikt dat geschikt is voor gebruik buitenshuis, vermindert u het risico op een elektrische schok.
- **Indien het bedienen van elektrisch gereedschap in een vochtige omgeving niet kan worden vermeden, gebruik dan een aardlekschakelaar.** Het gebruik van een aardlekschakelaar vermindert de kans op een elektrische schok.
- **Gebruik altijd de voorgeschreven voedingsspanning.** Een onjuiste spanning kan elektrische schokken, brand en abnormale werking veroorzaken en kan leiden tot lichamelijk letsel.
- **Zorg ervoor dat alle elektrische snoeren en kabels de juiste maat hebben en dat alle stekkers en aansluitstukken goed vastzitten.** Draad met een te kleine diameter en losse aansluitingen kunnen elektrische schokken en brand veroorzaken en dit kan leiden tot lichamelijk letsel.

#### Persoonlijke Veiligheid

- **Blijf alert, let op datgene waar u mee bezig bent en gebruik uw gezonde verstand wanneer u elektrisch gereedschap gebruikt. Gebruik geen elektrisch gereedschap als u moe bent, of onder invloed van drugs, alcohol of medicijnen.** Een moment van onoplettendheid terwijl u werkt met elektrisch gereedschap kan ernstig lichamelijk letsel tot gevolg hebben.
- **Gebruik beschermingsmiddelen. Draag altijd oogbescherming.** Onder bepaalde omstandigheden moeten beschermingsmiddelen, zoals een stofmasker, veiligheidsschoenen met antislipzool, een helm of gehoorbescherming worden gebruikt. Hierdoor wordt het risico op lichamelijk letsel verminderd.
- **Voorom dat het gereedschap onopzettelijk wordt ingeschakeld. Zet de schakelaar in de uit-stand voordat u de stekker in het stopcontact steekt.** Het gereedschap dragen met uw vinger op de schakelaar of het gereedschap aansluiten terwijl de schakelaar in de aan-stand staat, is vragen om ongelukken.
- **Verwijder afstelsleutels voordat het elektrisch gereedschap wordt ingeschakeld.** Een achterblijvende sleutel die is bevestigd aan een draaiend deel van het elektrisch gereedschap kan leiden tot lichamelijk letsel.
- **Werk niet boven uw macht. Zorg dat u altijd stevig staat en in evenwicht bent.** Als u stevig staat en in evenwicht bent, hebt u onder onverwachte omstandigheden een betere controle over het gereedschap.
- **Draag geschikte kleding. Draag geen loszittende kleding of sieraden. Maak lang haar vast. Houd haar, kleding en handschoenen uit de buurt van bewegende delen.** Loszittende kleding, sieraden en lang haar kunnen vast komen te zitten in bewegende delen.
- **Zorg dat eventuele hulpmiddelen voor de bevestiging van voorzieningen voor stofopvang goed zijn aangesloten en op de juiste wijze worden gebruikt.** Gebruik van deze voorzieningen kan risico's die verband houden met stof verminderen.
- **Gebruik klemmen of andere praktische hulpmiddelen om het werkstuk vast te zetten op een stabiele ondergrond en het te ondersteunen.** Het werkstuk met de hand vasthouden of tegen uw lijf houden is niet stabiel en kan er toe leiden dat u de controle verliest.
- **Voorom blootstelling aan en inademing van schadelijke stoffen en deeltjes die vrijkomen bij het gebruik van elektrisch gereedschap.**
  - Sommige stoffen die vrijkomen bij machinaal schuren, zagen, slijpen, boren en andere werkzaamheden bevatten chemicaliën waarvan bekend is dat deze kanker, aangeboren afwijkingen of andere ernstige aandoeningen veroorzaken. Enkele voorbeelden van deze chemicaliën:
    - lood uit loodhoudende verf,
    - kristallijne silica uit stenen en cement en andere metselproducten en
    - arsenicum en chroom uit chemisch behandeld timmerhout.
  - Het risico dat u loopt bij blootstelling aan deze stoffen varieert. Het is afhankelijk van hoe vaak u dit soort werk doet. Tips om de blootstelling aan deze stoffen te verminderen: werk in een goed geventileerde ruimte en werk met goedgekeurde beveiligingsmiddelen zoals stofmaskers die specifiek zijn ontworpen om microscopische deeltjes uit te filteren.

- **Staa het gebruik van gereedschap als u zich niet prettig voelt of een tintelend gevoel of pijn hebt.** Trillingen, herhaaldelijk dezelfde beweging maken en werkhoudingen die niet comfortabel zijn, kunnen schadelijk zijn voor uw handen en armen. Elektrisch gereedschap kan trillen tijdens gebruik. Raadpleeg een arts voor u verder gaat.
- **De reële trillingsemisatie tijdens het gebruik van dit gereedschap kan verschillen van de aangegeven waarden afhankelijk van de manier waarop het gereedschap wordt gebruikt.** Neem de aangegeven veiligheidsmaatregelen om de operator te beschermen op basis van een risicoanalyse van de reële blootstelling aan gevaar tijdens het gebruik
- **Vermijd contact met bewegende delen van het gereedschap.** Het gereedschap en/of de hulpstukken kunnen kortstondig blijven bewegen nadat de stroomtoevoer is uitgeschakeld. Dit kan ertoe leiden dat u vast komt te zitten of ander lichamelijk letsel oploopt.

### **Gebruik en Onderhoud van het Elektrisch Gereedschap**

- **Oefen geen druk uit op het elektrisch gereedschap. Gebruik het juiste elektrische gereedschap voor uw toepassing.** Met het juiste gereedschap zal het werk beter en veiliger kunnen worden uitgevoerd.
- **Gebruik het elektrisch gereedschap niet als het niet kan worden in- of uitgeschakeld met de schakelaar.** Elektrisch gereedschap dat niet kan worden geregeld met de schakelaar is gevaarlijk en moet ter reparatie worden aangeboden.
- **Voordat u aanpassingen doet, hulpstukken verwisselt of het gereedschap opbergt, dient u het elektrisch gereedschap los te koppelen van de voedingsbron.** Zulke preventieve veiligheidsmaatregelen verminderen het risico op onbedoeld inschakelen van het gereedschap.
- **Berg gereedschap dat niet wordt gebruikt, op buiten bereik van kinderen en laat het elektrisch gereedschap niet bedienen door personen die niet vertrouwd zijn met dit gereedschap of deze instructies.** Gereedschap is gevaarlijk in handen van onervaren gebruikers.
- **Onderhoud elektrisch gereedschap Controleer op verkeerde uitlijning of vastzittende bewegende delen, kapotte onderdelen en eventuele andere zaken die van invloed kunnen zijn op de werking van het elektrisch gereedschap. Als er sprake is van beschadigingen, laat het elektrisch gereedschap dan nakijken voordat u het gebruikt.** Veel ongevallen worden veroorzaakt door slecht onderhouden elektrisch gereedschap.
- **Houd snijgereedschap scherp en schoon.** Goed onderhouden gereedschap met scherpe snijkanten loopt minder snel vast en is eenvoudiger te hanteren. Houd handgrepen schoon en droog om het gereedschap in bedwang te houden.
- **Gebruik het elektrisch gereedschap, de hulpstukken, bits, enzovoort overeenkomstig deze instructies en zoals is bedoeld voor het specifieke type gereedschap, rekening houdend met de werkomstandigheden en de uit te voeren werkzaamheden.** Het gebruik van het elektrisch gereedschap voor andere dan de beoogde werkzaamheden kan leiden tot een gevaarlijke situatie.
- **Let er bij het dragen van handschoenen altijd op dat de beweging van het bedieningsmechanisme niet kan worden belemmerd door de handschoenen.** Dit kan resulteren in lichamelijk letsel.
- **Verwijder geen etiketten. Vervang beschadigde etiketten.** Etiketten geven informatie die nodig is voor een veilig gebruik van het product.

### **Gebruik en onderhoud van de accu**

- **Laad de accu alleen op met de lader die door de fabrikant is opgegeven.** Een lader die geschikt is voor een bepaald type accu, kan brandgevaar veroorzaken bij gebruik in combinatie met een andere accu.
- **Gebruik elektrisch gereedschap alleen in combinatie met de bijbehorende accu.** Het gebruik van een andere accu kan het risico op letsel en brand met zich meebrengen.
- **Houd een accu die niet in gebruik is, uit de buurt van andere metalen voorwerpen: paperclips, munten, sleutels, spijkers, schroeven of andere kleine metalen voorwerpen die de polen met elkaar kunnen verbinden.** Kortsluiten van de accupolen kan brandwonden of brand veroorzaken.
- **Vermijd contact met accuvloeistof als deze bij verkeerd gebruik vrijkomt. Spoel met water na eventueel contact. Als accuvloeistof bovendien in de ogen is gekomen, neemt u contact op met een arts.** Vloeistof die vrijkomt uit de accu kan irritatie of brandwonden veroorzaken.
- **Zorg dat de schakelaar in de uit-stand is gezet, voordat er een accu wordt geplaatst.** Het plaatsen van de accu in het elektrisch gereedschap terwijl de schakelaar in de aan-stand staat, is vragen om ongelukken.
- **Voordat u aanpassingen doet of accessoires verwisselt, dient u de accu van het gereedschap te verwijderen of de schakelaar te vergrendelen in de uit-stand.** Zulke preventieve veiligheidsmaatregelen verminderen het risico op onbedoeld inschakelen van het gereedschap.
- **Elektrisch gereedschap raakt oververhit indien het ingeschakeld blijft terwijl de motor zwaar wordt overbelast, afslaat of anderszins niet vrijelijk kan draaien. Schakel het gereedschap uit wanneer dit gebeurt.** Wanneer het gereedschap in deze staat verder wordt gebruikt, kan dit leiden tot verhitting, rookvorming of brand met letsel of schade als gevolg.
- **Voordat u het gereedschap opslaat of opbergt in een gereedschapskist of -tas, dient u de accu van het gereedschap te verwijderen. Wanneer het gereedschap onopzettelijk wordt ingeschakeld tijdens opslag of vervoer kan dit verscheidene gevaarlijke gevolgen hebben, waaronder oververhitting van het apparaat.** Onbeheerste bediening van het gereedschap kan leiden tot uiteenlopende gevaarlijke situaties, waaronder verhitting, rookvorming en brand.
- **Blokkeer nooit de koelgaten in de behuizing, omdat anders het gereedschap oververhit kan raken.** Als het gereedschap in dergelijke toestand wordt gebruikt, kan dit leiden tot verhitting, rookvorming of brand met letsel of schade als gevolg.
- **Het gereedschap kan bij continu gebruik of in andere zware gebruiksomstandigheden oververhit raken. Stop het gebruik onmiddellijk en laat het gereedschap afkoelen als een bepaald deel van het gereedschap te heet wordt om vast te houden of als er rookvorming bij de motor ontstaat.** Als het gereedschap in een dergelijke toestand wordt gebruikt, raakt het beschadigd en kan dit leiden tot verhitting of brand met letsel of schade als gevolg.
- **Stop het gebruik onmiddellijk en vervang elke accu die tijdens bedrijf te warm wordt of waarvan de gebruiksduur erg kort is geworden.** Doorgaans zijn deze accu's al erg vaak opgeladen/ontladen of zijn ze te oud of beschadigd. Als een versleten accu wordt gebruikt, kan dit leiden tot verhitting, brand of een ontploffing met letsel of schade als gevolg.
- **Breng geen wijzigingen aan in dit gereedschap, in de veiligheidsvoorzieningen of in de hulpstukken.** Ongeautoriseerde wijzigingen kunnen leiden tot elektrische schokken, brand of lichamelijk letsel.
- **Gebruik alleen accessoires die door Ingersoll Rand worden aanbevolen voor uw model.** Accessoires die geschikt zijn voor het ene gereedschap, kunnen een gevaar vormen als ze worden gebruikt in combinatie met ander gereedschap.
- **Verwijder geen etiketten. Vervang beschadigde etiketten.** Etiketten geven informatie die nodig is voor een veilig gebruik van het product.

### **Onderhoud**

- **Laat het elektrisch gereedschap alleen onderhouden door gekwalificeerd personeel dat uitsluitend gebruikmaakt van identieke vervangingsonderdelen.** Hierdoor blijft de veiligheid van het elektrisch gereedschap gehandhaafd.
- **Gebruik bij onderhoud alleen de originele vervangingsonderdelen van Ingersoll Rand en volg alle onderhoudsinstructies op.** Het gebruik van niet goedgekeurde onderdelen of het niet opvolgen van de onderhoudsinstructies kan leiden tot elektrische schokken of letsel.
- **Niet de batterijen in vuur werpen, verbranden of verwarmen boven 100°C (212°F).** Batterijen kunnen bij verkeerd gebruik in brand vliegen of chemisch verbranden.
- **Zorg voor een verantwoorde afvoer van accu's/batterijen of recycle deze. Houd u in dat verband aan de geldende normen en regels.** Het niet op gepaste wijze afvoeren van accu's/batterijen kan gevaar opleveren voor het milieu.

**⚠ WAARSCHUWING****Specifieke Productveiligheidsvoorschriften**

- **Houd het gereedschap vast aan de isolerende handgrepen als u een handeling uitvoert waarbij het snijgereedschap in contact kan komen met verborgen bedrading.** Contact met bedrading waar spanning op staat, zal metalen delen van het gereedschap ook onder spanning zetten en de gebruiker een schok geven.
- **Controleer op gereedschap met een omkeerbare draairichting goed of de ingestelde richting juist is voordat het gereedschap wordt bediend.** Het is eenvoudiger om het gereedschap in bedwang te houden als u op de hoogte bent van de draairichting.
- **Gebruik alleen slagbussen en -hulpstukken.** Gebruik geen (chrom) doppen of hulpstukken voor handgereedschap. Ze kunnen tijdens gebruik breken en letsel veroorzaken.
- **Controleer regelmatig het aandrijfuiteinde van het gereedschap om er zeker van te zijn dat de busbevestiging goed functioneert, en dat de bussen en aandrijfuiteinden niet versleten zijn.** Beide omstandigheden kunnen ertoe leiden dat de bus loskomt wanneer deze draait.
- **Slagmoersleutels zijn geen momentsleutels.** Bevestigingen die tot een bepaalde momentkracht moeten worden aangedraaid, moeten met een momentsleutel worden gecontroleerd na gebruik van een slagmoersleutel. Onvoldoende aangedraaide bevestigingen kunnen losraken en letsel veroorzaken.
- **Uitstekende bedienhendels of-knoppen dienen niet te worden gebruikt in een omgeving waar obstakels deze in de ingeschakelde stand kunnen houden.** Hierdoor kan het gebeuren dat u het gereedschap niet kunt uitschakelen.
- **Richt de lichtbundel niet op de ogen van personen of dieren.** Fel licht kan oogletsel veroorzaken.

**Productveiligheidsinformatie: Accu****Productbeschrijving**

Een accu is een opslagapparaat voor elektrische energie, dat kan worden gebruikt als stroombron voor draadloze producten van **Ingersoll Rand**.

**⚠ WAARSCHUWING****Algemene veiligheidswaarschuwingen voor accu's**

- **Waarschuwing! Lees alle veiligheidswaarschuwingen en -instructies.** Het niet naleven van de waarschuwingen en instructies kan een elektrische schok, brand en/of andere ernstige verwondingen voor gevolg hebben.
- **Houd alle waarschuwingen en instructies bij voor later gebruik.**
- **Het is uw verantwoordelijkheid om deze veiligheidsinformatie ter beschikking te stellen aan andere personen die dit product zullen gaan gebruiken.** Het niet opvolgen van voorschriften en regels kan lichamelijk letsel tot gevolg hebben.
- **Installeer, bedien, controleer en onderhoud dit product altijd in overeenstemming met alle geldende voorschriften en regels (overheid, bedrijf, enz.).** Het naleven van de regels is uw verantwoordelijkheid. Het niet opvolgen van voorschriften en regels kan lichamelijk letsel tot gevolg hebben.
- De term "elektrisch gereedschap" in de waarschuwingen slaat terug op elektrisch (draadloos) gereedschap met een accu.

**Elektriciteit en veiligheid**

- **Stel de accu's en het elektrische gereedschap niet bloot aan regen of natte omstandigheden.** Water in een accu of elektrisch gereedschap vergroot de kans op elektrische schokken.

**Persoonlijke veiligheid**

- **Breng geen wijzigingen aan in dit product, in de veiligheidsvoorzieningen of in de accessoires.** Ongeautoriseerde wijzigingen kunnen leiden tot elektrische schokken, brand of lichamelijk letsel.

**Gebruik en verzorging accu en elektrisch gereedschap**

- **Ongebruikte accu's en elektrische gereedschappen buiten bereik van kinderen bewaren.** Personen die geen ervaring hebben met accu's of elektrische gereedschappen of deze gebruiksinstructies mogen hier niet mee werken. Accu's en elektrische gereedschappen zijn gevaarlijk als ze door onervaren gebruikers worden gebruikt.
- **Gebruik de accu, het elektrische gereedschap, accessoires en bitjes etc. altijd conform deze instructies en houd rekening met de werkomstandigheden en het werk dat moet worden uitgevoerd.** Het gebruik van de accu of het elektrische gereedschap voor andere doeleinden dan waarvoor ze geschikt zijn, kan leiden tot gevaarlijke situaties.
- **Opladen mag alleen met de door de fabrikant gespecificeerde lader.** Als een accu wordt geplaatst in een lader die niet voor dat type accu geschikt is, kan brandgevaar ontstaan. Zie de productinformatie in de handleiding van de lader voor aanvullende waarschuwingen voor de lader.
- **Gebruik het elektrisch gereedschap alleen met de daarvoor bestemde accu's.** Het gebruik van andere accu's vergroot de kans op verwondingen en brand.
- **Houd een accu die niet in gebruik is, uit de buurt van andere metalen voorwerpen: paperclips, munten, sleutels, spijkers, schroeven of andere kleine metalen voorwerpen die de polen met elkaar kunnen verbinden.** Kortsluiten van de accupolen kan vonken, brandwonden of brand veroorzaken.
- **Bij verkeerd gebruik van de accu kan hier vloeistof uitlopen; voorkom contact hiermee. Mocht u onverhoopt in contact komen met deze vloeistof, spoel dan met water. Indien de vloeistof in contact komt met uw ogen, schakel dan direct medische hulp in.** Vloeistof uit de accu kan irritaties en brandwonden veroorzaken.
- **Stop het gebruik onmiddellijk en vervang elke accu die tijdens bedrijf te warm wordt of waarvan de gebruiksduur erg kort is geworden.** Doorgaans zijn deze accu's al erg vaak opgeladen/ontladen of zijn ze te oud of beschadigd. Als een versleten accu wordt gebruikt, kan dit leiden tot verhitting, brand of een ontploffing met letsel of schade als gevolg.
- **Verwijder geen etiketten. Vervang beschadigde etiketten.** Etiketten geven informatie die nodig is voor een veilig gebruik van het product.
- **Stel de accu's niet bloot aan mechanische schokken.**
- **Laat accu's nooit doorladen als ze niet worden gebruikt.**
- **Verwijder de accu indien mogelijk uit het gereedschap als dit niet wordt gebruikt.**
- **Gebruik geen accu's die zijn beschadigd.**

## Onderhoud

- **Niet de batterijen in vuur werpen, verbranden of verwarmen boven 100°C (212°F).** Batterijen kunnen bij verkeerd gebruik in brand vliegen of chemisch verbranden.
- **Zorg voor een verantwoorde afvoer van accu's/batterijen of recycle deze.** Houd u in dat verband aan de geldende normen en regels. Het niet op gepaste wijze afvoeren van accu's/batterijen kan gevaar opleveren voor het milieu.
- **Open de kast van het apparaat niet. Er bevinden zich in de kast geen onderdelen die onderhoud behoeven.** Dit kan leiden tot elektrische schokken of ander lichamelijk letsel.

## Productveiligheidsinformatie: Acculader

### Productbeschrijving

Een acculader is een elektrisch apparaat waarmee wisselstroom wordt omgezet in gelijkstroom voor het opladen van accu's.



### Algemene Veiligheidsvoorschriften

- **Lees alle instructies en zorg dat u deze begrijpt.** Het niet opvolgen van alle onderstaande instructies kan leiden tot elektrische schokken, brand en/of ernstig lichamelijk letsel.
- **Het is uw verantwoordelijkheid om deze veiligheidsinformatie ter beschikking te stellen aan andere personen die dit product gaan gebruiken.** Het niet opvolgen van voorschriften en regels kan lichamelijk letsel tot gevolg hebben.
- **Installeer, bedien, controleer en onderhoud dit product altijd in overeenstemming met alle geldende voorschriften en regels (overheid, bedrijf, enz.).** Het naleven van de regels is uw verantwoordelijkheid. Het niet opvolgen van voorschriften en regels kan lichamelijk letsel tot gevolg hebben.
- **Kinderen moeten onder toezicht staan om te verzekeren dat ze dit product niet gebruiken en er niet mee spelen.**
- **Dit product is niet bedoeld voor gebruik door mensen met verminderde fysieke, zintuiglijke of geestelijke capaciteiten, of gebrek aan ervaring en kennis, tenzij ze toezicht of instructie hebben gekregen in het gebruik van het product door iemand die verantwoordelijk is voor hun veiligheid.**

### Veiligheid op de werkvloer

- **Bedien de acculader niet op plaatsen waar ontploffingsgevaar aanwezig is.** Bijvoorbeeld in de buurt van ontvlambare vloeistoffen, gassen of stof. Een acculader kan vonken veroorzaken, wat kan leiden tot ontbranding van stof of dampen.

### Electriciteit en Veiligheid

- **Dubbel geïsoleerde producten zijn uitgerust met een gepolariseerde stekker (één pool is breder dan de andere). De stekker past slechts op één manier in een gepolariseerd stopcontact. Als de stekker niet goed in het stopcontact past, moet de stekker worden omgekeerd. Als de stekker dan nog steeds niet past, moet u contact opnemen met een erkend installateur. De stekker mag onder geen beding worden veranderd.** Met dubbele isolatie is het niet nodig een driedierig snoer met aardedraad en een geaard stopcontact te gebruiken.
- **Ga verstandig om met snoeren. Gebruik het snoer nooit om het gereedschap te dragen of te verslepen. Trek niet aan het snoer om de stekker uit het stopcontact te halen. Houd het snoer uit de buurt van hitte, olie, scherpe randen en bewegende delen.** Beschadigde of verwarde snoeren vergroten het risico op een elektrische schok.
- **Apparaten die worden gevoed door een accu (een geïntegreerde of een losse accu), mogen alleen worden opgeladen met de bijbehorende acculader.** Een lader die geschikt is voor een bepaald type accu, kan brandgevaar veroorzaken bij gebruik in combinatie met een andere accu.
- **De acculader is alleen voor gebruik binnenshuis. Stel de acculader niet bloot aan regen. Gebruik de acculader niet in een vochtige of natte omgeving.** Dit kan leiden tot elektrische schokken of ander lichamelijk letsel.
- **Gebruik altijd de voorgeschreven voedingsspanning.** Een onjuiste spanning kan elektrische schokken, brand en abnormale werking veroorzaken en kan leiden tot lichamelijk letsel.
- **Vermijd aanraken van de polen van de acculader met vingers, draad of een ander geleidend materiaal. Sluit alleen een door Ingersoll Rand goedgekeurde accu aan.** Dit kan leiden tot elektrische schokken of ander lichamelijk letsel.
- **Niet-oplaadbare accu's mogen niet worden opgeladen.** Dit kan leiden tot elektrische schokken, brand of lichamelijk letsel.

### Persoonlijke Veiligheid

- **Breng geen wijzigingen aan in dit product, in de veiligheidsvoorzieningen of in de hulpstukken.** Ongeautoriseerde wijzigingen kunnen leiden tot elektrische schokken, brand of lichamelijk letsel.
- **Gebruik dit product niet voor andere doeleinden dan bedoeld.** Dit kan leiden tot elektrische schokken, brand of lichamelijk letsel.
- **Plaats de acculader op een stabiele ondergrond alvorens de stekker in het stopcontact te steken. Houd de acculader buiten het bereik van kinderen.** Een verkeerde plaats of gebruik door kinderen kan leiden tot elektrische schokken, brand of lichamelijk letsel.

### Gebruik en Onderhoud

- **Gebruik nooit een beschadigde of niet goed werkende lader. Haal onmiddellijk de stekker uit het stopcontact en laat de lader repareren of vervangen.** Het apparaat blijven gebruiken, kan leiden tot elektrische schokken, brand of lichamelijk letsel.
- **Verwijder geen etiketten. Vervang beschadigde etiketten.** Etiketten geven informatie die nodig is voor een veilig gebruik van het product.

### Onderhoud

- **Onderhoud mag alleen worden uitgevoerd door een erkend servicenter van Ingersoll Rand of ander gekwalificeerd personeel.** Service of onderhoud door ongekwalificeerd personeel kan leiden tot letsel.
- **Open de kast van het apparaat niet. Er bevinden zich in de kast geen onderdelen die onderhoud behoeven.** Dit kan leiden tot elektrische schokken of ander lichamelijk letsel.
- **Als het voedings snoer is beschadigd, moet dit worden vervangen door een erkend servicenter van Ingersoll Rand of ander gekwalificeerd personeel.** Beschadigde of onjuist aangebrachte snoeren vergroten het risico op een elektrische schok.

**OPMERKING**

Raadpleeg de producthandleiding voor modelspecifieke veiligheidsinformatie.

**Identificatie van de Veiligheidssymbolen**

Explosiegevaar.

Houd u aan alle veiligheidsinstructies tijdens het bedienen van het product.

(Tekening 16589525)

Draag  
oogbeschermingDraag  
gehoorbeschermingLees de handleidingen door voordat u het  
product gaat gebruiken**Veiligheidsinformatie - Uitleg van de Veiligheidsaanduidingen****GEVAAR**

Geeft dreiging van een gevaarlijke situatie aan, die als deze niet wordt voorkomen, ernstig letsel of de dood tot gevolg heeft.

**WAARSCHUWING**

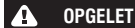
Geeft een mogelijk gevaarlijke situatie aan, die als deze niet wordt voorkomen, ernstig letsel of de dood tot gevolg kan hebben.

**OPGELET**

Geeft een mogelijk gevaarlijke situatie aan, die als deze niet wordt voorkomen, licht tot middelzwaar letsel of schade aan eigendommen tot gevolg kan hebben.

**OPMERKING**

Geeft informatie of beleid van een bedrijf aan die/dat direct of indirect verband houdt met de veiligheid van het personeel of de bescherming van eigendommen.

**Informatie over Productonderdelen****OPGELET**

Het gebruik van andere dan originele onderdelen van Ingersoll Rand kan leiden tot gevaarlijke situaties, verminderde prestaties en meer onderhoud en kan tot gevolg hebben dat alle garantie vervalst.

Reparaties moeten alleen worden uitgevoerd door bevoegd, geschoold personeel. Neem contact op met het dichtstbijzijnde door Ingersoll Rand erkende servicecenter.

De originele instructies zijn opgesteld in het Engels. Andere talen zijn een vertaling van de originele instructies. Handleidingen kunnen worden gedownload vanaf [ingersollrandproducts.com](http://ingersollrandproducts.com).

Voor alle communicatie wordt u verwezen naar de dichtstbijzijnde vestiging of dealer van **Ingersoll Rand**.

## Produktbeskrivelse

En ledningsfri slag nøgle er et håndholdt el-værktøj, som gør brug af roterende momenter til at stramme eller løse gevindskårne lukkemekanismer gennem hærdede aftagelige toppe.

### ADVARSEL

#### Generelle Sikkerhedsregler

- **Advarsel!** Læs alle instruktioner. Hvis alle instruktioner nedenfor ikke følges, kan det resultere i elektrisk stød, brand og/eller alvorlig skade. Gem alle advarsler og vejledninger til fremtidig reference. Betegnelsen "el-værktøj" i alle advarslerne, som anføres herunder, henviser til dit netdrevne (med ledning) el-værktøj eller batteridrevne (uden ledning) el-værktøj.
- **Det er dit ansvar at gøre denne sikkerhedsinformation tilgængelig for andre, som vil anvende dette produkt.** Hvis standarder og regler ikke følges, kan det medføre personskaade.
- **Dette produkt skal altid monteres, betjenes, kontrolleres og vedligeholdes i overensstemmelse med alle gældende standarder og regler (lokale, landsdækkende, europæiske etc).** Overholdelse er dit ansvar. Hvis standarder og regler ikke følges, kan det medføre personskaade.

#### Sikkerhed i arbejdsområdet

- **Hold arbejdsområdet rent og godt oplyst.** Rodede arbejdsbænke og mørke områder kan føre til ulykker.
- **Anvend ikke el-værktøj i eksplosive atmosfærer, som f.eks. i nærheden af brandbare væsker, gasarter eller støv.** El-værktøj danner gnister, som kan antænde støvet eller dampene.
- **Hold børn og besøgende på afstand, når et el-værktøj anvendes.** Forstyrrelser kan medføre, at du mister kontrollen.
- **Vær opmærksom på gemte, skjulte eller andre farer i dit arbejdsmiljø. Rør eller odelæg ikke ledninger, ledningsrør, rør eller slanger, som kan indeholde elektriske ledninger, eksplosive gasarter eller skadelige væsker.** Det kan resultere i elektrisk stød, brand eller personskaade.

#### Elektrisk Sikkerhed

- **El-værktøjets stik skal passe til stikkontakten. Foretag aldrig nogen form for ændringer på stikket. Anvend ikke adapterstik til el-værktøj med jordforbindelse (jordede).** Uændrede stik og stikkontakter, som passer dertil, reducerer risikoen for stød.
- **Undgå kropskontakt med jordforbundne eller jordede overflader som f.eks. rør, radiatorer, spændingsområder og køleskabe.** Der er en øget risiko for elektrisk stød, hvis din krop er jordet.
- **Udsæt ikke el-værktøjer for regn eller våde forhold.** Vand, som kommer ind i dette el-værktøj, øger risikoen for elektrisk stød.
- **Mishandl ikke ledningen. Brug aldrig ledningen til at bære eller trække i el-værktøjet og heller ikke til at trække el-værktøjet ud af stikkontakten med. Hold ledningen væk fra varme, olie, skarpe kanter eller bevægelige dele.** Beskadigede eller sammenfiltrede ledninger øger risikoen for elektrisk stød.
- **Brug en forlængerledning egnet til udendørs brug når el-værktøjet anvendes udendørs.** Brug af en ledning egnet til udendørs brug reducerer risikoen for elektrisk stød.
- **Hvis det ikke kan undgås at bruge et elværktøj på et fugtigt sted, skal du bruge en beskyttet strømforsyning med en fejlstrømsafbryder (FI-afbryder).** Brugen af en FI-afbryder reducerer risikoen for elektrisk stød.
- **Brug altid den specificerede forsyningsspænding.** Forkert spænding kan forårsage elektrisk stød, brand, unormal drift og kan resultere i personskaade.
- **Kontroller at alle elektriske ledninger og kabler har den korrekte størrelse, og at alle stik og konnektorer er sat helt fast.** En ledning i underetorselen og løse forbindelser kan forårsage elektrisk stød og brand og kan resultere i personskaade.

#### Personlig Sikkerhed

- **Vær opmærksom, se efter, hvad du laver og brug almindelig fornuft, når du anvender et elværktøj. Brug ikke el-værktøjet, når du er træt eller påvirket af stoffer, alkohol eller medicin.** Et øjeblik uopmærksomhed mens el-værktøjer bruges, kan resultere i alvorlig personskaade.
- **Brug sikkerhedsudstyr. Brug altid øjenvern.** Sikkerhedsudstyr som f.eks. støvmaske, skridsikre sko, hjelm eller høreværn brugt til egnede forhold vil reducere personskaader.
- **Undgå utilsigtet start. Sørg for at kontakten er i fra-position inden tilslutning.** El-værktøjer, der bæres med fingeren på kontakten eller el-værktøjer med en kontakt i til-position, der sættes i et stik, opfordrer til ulykker.
- **Fjern justeringsnøgler før el-værktøjet tændes.** En nøgle, som efterlades påsat en roterende del på elværktøjet, kan medføre personskaade.
- **Vær forsigtig. Hold ordentligt fodfæste og balance på alle tidspunkter.** Dette giver en bedre kontrol over el-værktøjet i uventede situationer.
- **Vær korrekt påklædt. Vær ikke iført løsthængende tøj eller smykker. Hold langt hår samlet. Hold hår, tøj og handsker væk fra bevægende dele.** Løst tøj, smykker eller langt hår kan blive fanget i bevægende dele.
- **Hvis der leveres udstyr til tilkobling af støvbekæmpelses- og udsugningsfaciliteter, skal man sørge for, at disse tilkobles og bruges korrekt.** Brugen af disse udstyr kan reducere støvrelaterede farer.
- **Brug klæmmer eller en anden praktisk måde til at fastgøre og støtte arbejdsstykket på en stabil platform.** Det er ustabil at holde arbejdet med hånden eller mod kroppen og kan føre til kontroltab.
- **Undgå udsættelse for og indånding af skadelig støv og partikler, som dannes af brug af elværktøj.**
  - Støv, som dannes ved kraftig slibning, savning, afslibning, boring og andre konstruktionsaktiviteter, kan indeholde kemikalier, som vides at forårsage cancer, fødselsdefekter eller anden skadelig virkning på forplantningsevnen. Visse eksempler på disse kemikalier er:
    - bly fra blybaserede malinger,
    - crystalline silica fra mursten og cement og andre murværksprodukter samt
    - arsenik og krom fra kemisk behandlet træ.
  - Din risiko fra disse udsættelser varierer afhængigt af, hvor ofte du udfører denne slags arbejde. For at reducere udsættelsen for disse kemikalier: arbejd i et godt ventileret område og anvend godkendt sikkerhedsudstyr, som f.eks. støvmaske, der er specifikt beregnet til at filtrere mikroskopiske partikler fra.
- **Stop anvendelse af alt værktøj, hvis ubehag, snurrende fornemmelse eller smerte forekommer.** Vibration, gentagne bevægelser eller

ubehagelige positioner kan skade dine hænder og arme. Elværktøjer kan vibrere under brug. Søg læge før de bruges igen.

- **Vibrationsudsendelsen under reel brug af elværktøj kan variere fra den erklærede værdi afhængigt af de måder, hvorpå værktøjet bruges.** Tag passende sikkerhedsforanstaltninger for at beskytte brugeren ud fra en eksponeringsvurdering under reel anvendelse
- **Undgå berøring med bevægelige dele af værktøjet.** Værktøj og/eller tilbehør kan kortvarigt fortsætte deres bevægelse, endte at der er slukket for strømmen, hvilket giver risiko for sammenfiltrering eller anden personskaade.

## Brug og Pleje af El-værktøj

- **Fremtving ikke el-værktøjet. Brug det korrekte el-værktøj til formålet.** Det korrekte el-værktøj vil gøre jobbet bedre og mere sikkert, til hvilket det er beregnet.
- **Brug ikke el-værktøjet, hvis kontakten ikke tænder eller slukker for værktøjet.** Ethvert el-værktøj, som ikke kan kontrolleres med kontakten, er farligt og skal repareres.
- **Kobl el-værktøjet fra strømkilden før du foretager eventuelle justeringer, skifter tilbehør eller opbevarer el-værktøjet.** Sådanne forebyggende sikkerhedsforanstaltninger reducerer risikoen for at komme til at starte værktøjet ved et uheld.
- **Opbevar ubenyttede værktøjer uden for børns rækkevidde og lad ikke personer, som ikke er kendt med el-værktøjet eller disse instruktioner, betjene el-værktøjet.** Værktøjer er farlige i hænderne på uop lærte brugere.
- **Kontrollér for fejljustering eller om bevægende dele sidder fast, ødelæggelse af dele og nogen anden tilstand, som kan påvirke el-værktøjets drift. Hvis det er beskadiget, skal el-værktøjet serviceres før det anvendes.** Mange ulykker er som følge af dårligt vedligeholdt el-værktøj.
- **Hold skæreværktøjer skarpe og rene.** Korrekt vedligeholdte værktøjer med skarpe skærekanten har mindre sandsynlighed for at sidde fast og er nemmere at kontrollere. Hold håndtag rene og tørre for at opretholde kontrol.
- **Anvend el-værktøjet, tilbehør og skærepratter osv. i overensstemmelse med disse instruktioner og på den måde, som er beregnet for den type af el-værktøj, samt i betragtning af arbejdsforholdene og det arbejde, der skal udføres.** Brugen af el-værktøjet til anden brug end den beregnede kan resultere i farlige situationer.
- **Når du bærer handsker, skal du altid sørge for, at disse ikke hindrer håndtagsmekanismen i at blive udløst.** Det kan resultere i personskaade.
- **Fjern ikke nogle etiketter. Udskift alle beskadede etiketter.** Etiketter giver oplysninger, som er nødvendigt for sikker brug af produktet.

## Batteribrug og -vedligeholdelse

- **Genoplad kun med den oplader, som er specificeret af fremstilleren.** En oplader, som måske er passende til en type batteri, kan danne risiko for brand, når den anvendes med et andet batteri.
- **Brug kun el-værktøj med den specifikt angivne batteripakke.** Brug af nogle andre batteripakker kan føre til skade og brandfare.
- **Når batteripakken ikke er i brug, skal den holdes væk fra andre metalobjekter som f.eks.: papirklips, mønter, nøgler, søm, skruer eller andre små metalobjekter, som kan udgøre en forbindelse fra en pol til en anden.** Hvis batteripolerne kortsluttes sammen, kan det medføre forbrændinger eller brand.
- **Undgå kontakt, hvis der under grove tilstande udstødes substans fra batteriet. Skyl med vand, hvis kontakt forekommer. Søg lægehjælp, hvis væske kommer i yderligere kontakt med øjnene.** Væske fra batteriet kan forårsage irritation og brændsår.
- **Sørg for at kontakten er i fra-position inden batteripakken sættes i.** Isætning af batteripakken i elværktøjet, når kontakten er tændt, giver anledning til ulykker.
- **Frakobl batteripakken fra værktøjet eller sæt kontakten i låst fra-position før der foretages eventuelle justeringer eller tilbehør udskiftes.** Sådanne forebyggende sikkerhedsforanstaltninger reducerer risikoen for at komme til at starte værktøjet ved et uheld.
- **El-værktøjet overopvarmes, hvis det fortsat er tændt, når værktøjsmotoren er hårdt belastet, standes eller på anden måde forhindres i at rotere.** Sluk for værktøjet når dette sker. Hvis værktøjet fortsat forsynes med strøm i denne tilstand, kan det resultere i varme, røg eller brand med tilskadekomst eller ejendomsbeskadigelse som følge.
- **Frakobl batteripakken fra værktøjet inden opbevaring af værktøjet eller anbringelse i en værktøjskasse eller -taske. Utsigtet start under opbevaring eller transport kan forårsage adskillige farlige tilstande, herunder et overopvarmet værktøj.** Ukontrolleret værktøjsbetjening kan forårsage adskillige farer, herunder varme, røg eller brand.
- **Bloker ikke huskøllings lufthullerne da det kan forårsage overopvarmning af værktøjet.** Anvendelse af værktøjet i denne tilstand kan resultere i varme, røg eller brand med tilskadekomst eller ejendomsbeskadigelse til følge.
- **Værktøjet kan blive overopvarmet under fortsat brug eller andre svære cyklusser. Stands driften umiddelbart og lad værktøjet afkøle, hvis eventuelle værktøjsdele bliver for varme at røre ved, eller hvis der kommer røg fra motoren.** Fortsat brug af værktøjet under disse tilstande vil forårsage værktøjsbeskadigelse og kan resultere i tilskadekomst eller ejendomsbeskadigelse som følge af varme eller brand.
- **Stands straks brugen og udskift batterier, som bliver for varme under brug, eller som giver en meget kort brugstid.** Disse batterier har typisk et meget højt antal opladnings-/afladningscyklusser eller kan være gamle eller beskadede. Fortsat brug af et svækket batteri kan resultere i tilskadekomst eller ejendomsbeskadigelse som følge af varme, brand eller en eksplosion.
- **Modificér ikke dette værktøj, sikkerhedsudstyr eller tilbehør.** Uautoriserede modifikationer kan resultere i elektrisk stød, brand eller personskaade.
- **Brug kun tilbehør, som er anbefalet af Ingersoll Rand til din model.** Tilbehør, som er egnet til et værktøj, kan være farligt, når det bruges på et andet værktøj.
- **Fjern ikke nogle etiketter. Udskift alle beskadede etiketter.** Etiketter giver oplysninger, som er nødvendigt for sikker brug af produktet.

## Service

- **El-værktøjet skal serviceres af kvalificeret reparationspersonale og kun vha. identiske reservedele.** Dette sørger for, at el-værktøjets sikkerhed vedligeholdes.
- **Når et værktøj serviceres, må der kun anvendes ægte Ingersoll Rand-reservedele, og alle vedligeholdelsesinstruktioner skal følges.** Brug af uautoriserede dele eller undladelse at følge vedligeholdelsesinstruktionerne kan give risiko for elektrisk stød eller tilskadekomst.
- **Bortskaf ikke batterierne i ild, ved afbrænding eller varme over 100°C (212°F).** Mishandling af batterierne giver risiko for brand eller kemisk brandsår.
- **Bortskaf eller genbrug batterierne på ansvarlig måde i overensstemmelse med alle gældende standarder og regler (lokale, landsdækkende, osv.).** Ukorrekt bortskaffelse kan skade miljøet.

## ⚠ ADVARSEL

### Produktspecifikke Sikkerhedsregler

- **Hold værktøjet ved de isolerede gribeoverflader, når der udføres en funktion, hvor skæreværktøjet kan få kontakt med skjult ledningsføring.** Kontakt med en strømførende ledning vil også gøre udsatte metaldele på værktøjet strømførende og give operatoren stød.
- **For reversible modeller, skal positionen for reversibelmekanismen bemærkes før drift.** Kendskab til rotationsretningen hjælper med at beholde kontrol over værktøjet.
- **Anvend kun slagtoppe og tilbehør.** Anvend ikke håndslagtoppe (krom) eller tilbehør. De kan gå i stykker under anvendelse og medføre tilskadekomst.
- **Kontrollér regelmæssigt værktøjets drivende for at sikre at topholderen fungerer korrekt, og at toppene og drivenderne ikke er overdrevent slidte.** Begge tilstande kan forårsage at toppen kommer af under rotation.
- **Slagnøgler er ikke momentnøgler. Forbindelser, som kræver specifikt moment, skal kontrolleres med en momentmåler efter fitting med en slagnøgle.** Forkert strammede lukkemekanismer kan blive løse og medføre tilskadekomst.
- **Åbne reguleringsspjæld må ikke anvendes, hvor obstruktioner kan holde reguleringsspjældet i positionen "on" (til).** Du kan muligvis ikke slukke for værktøjet.
- **Ret ikke lysstrålen direkte mod åjnene på en person eller et dyr.** Klart lys kan skade åjnene.

### Produktsikkerhedsinformation: Batteri

#### Produktbeskrivelse

Et batteri er en lagerenhed for elektrisk energi, som anvendes som strømkilde for **Ingersoll Rand**-trådløse produkter.

## ⚠ ADVARSEL

#### Generelle batterisikkerhedsadvarsler

- **Advarsel! Læs alle sikkerhedsadvarsler og alle vejledninger.** Hvis ikke advarslerne og vejledningen følges, kan det føre til elektrisk stød, brand og/eller alvorlig personskade.
- **Gem alle advarsler og vejledninger til fremtidig reference.**
- **Det er dit ansvar at gøre denne sikkerhedsinformation tilgængelig for andre, som vil anvende dette produkt.** Hvis standarder og regler ikke følges, kan det medføre personskade.
- **Monter, betjen, inspicér og vedligehold altid dette produkt i overensstemmelse med alle gældende standarder og regler (lokale, landsdækkende, osv.).** Overholdelse er dit ansvar. Hvis standarder og regler ikke følges, kan det medføre personskade.
- Udtrykket "elværktøj" i advarslerne henviser til dit batteridrevne (trådløse) elværktøj.

#### Elektrisk sikkerhed

- **Batterier eller elværktøj må ikke udsættes for regn eller våde forhold.** Vand, der trænger ind i et batteri eller elværktøj, øger risikoen for elektrisk stød.

#### Personlig sikkerhed

- **Modificér ikke dette produkt, sikkerhedsudstyr eller tilbehør.** Uautoriserede modifikationer kan resultere i elektrisk stød, brand eller personskade.

#### Brug og pleje af batteri og elværktøj

- **Opbevar batterier og elværktøj, der ikke er i drift, utilgængeligt for børn, og lad ikke personer uden kendskab til batteriet eller elværktøjet eller denne vejledning betjene batteriet eller elværktøjet.** Batterier og elværktøj er farlige i hænderne på uuddannede brugere.
- **Brug batteriet, elværktøjet, tilbehør og værktøjsdele, etc. i henhold til denne vejledning, og tag hensyn til arbejdsforholdene og det arbejde, der skal udføres.** Brug af batteriet eller elværktøjet til andre aktiviteter end de tilsigtede kan resultere i en farlig situation.
- **Genoplad kun med den oplader, som er specificeret af fremstilleren.** En oplader, der er egnet til én type batteripakke, kan udgøre en brandfare, når den bruges med en anden batteripakke. Se opladerens produktinformationsvejledning for yderligere opladerspecifikke advarsler.
- **Brug kun elværktøj med den specifikt angivne batteripakke.** Brug af en anden batteripakke kan udgøre en fare for personskade eller brand.
- **Når batteripakken ikke er i brug, skal den holdes væk fra andre metalobjekter som f.eks.: papirklips, mønter, nøgler, søm, skrueer eller andre små metalobjekter, som kan udgøre en forbindelse fra en pol til en anden.** Hvis batteripolerne kortsluttes sammen, kan det medføre gnister, forbrændinger eller brand.
- **Under grove tilstande kan der udstødes væske fra batteriet, så undgå kontakt. Skyl med vand, hvis der ved et uheld opstår kontakt.** Hvis væsken kommer i kontakt med øjne, skal der desuden søges lægehjælp. Væske fra batteriet kan forårsage irritation og brandsår.
- **Standts straks brugen og udført batterier, som bliver for varme under brug, eller som giver en meget kort brugstid.** Disse batterier har typisk et meget højt antal opladnings-/afladningscykluser eller kan være gamle eller beskadigede. Fortsat brug af et svækket batteri kan resultere i tilskadekomst eller ejendomsbeskadigelse som følge af varme, brand eller en eksplosion.
- **Fjern ikke nogle etiketter. Udskift alle beskadigede etiketter.** Etiketter giver oplysninger, som er nødvendigt for sikker brug af produktet.
- **Batterier må ikke udsættes for mekaniske stød.**
- **Batteriet må ikke efterlades i længere opladning, når det ikke er i brug.**
- **Når det er muligt, skal batteriet tages ud af udstyret, når det ikke er i brug.**
- **Batterier, som er blevet fysisk beskadigede, må ikke bruges.**

#### Service

- **Bortskaf ikke batterierne i ild, ved afbrænding eller varme over 100°C (212°F).** Mishandling af batterierne giver risiko for brand eller kemisk brandsår.

- **Bortskaf eller genbrug batterierne på ansvarlig måde i overensstemmelse med alle gældende standarder og regler (lokale, landsdækkende, osv.).** Ukorrekt bortskaffelse kan skade miljøet.
- **Åbn ikke dækslet eller kassen. Der er ingen indvendige dele, som skal serviceres af brugeren.** Det kan resultere i elektrisk stød eller anden personskade.

---

## Produktsikkerhedsinformation: Batterioplader

### Produktbeskrivelse

En batterioplader er et elektrisk apparat, som konverterer elektrisk vekselstrømsenergi til elektrisk jævnstrømsenergi, der anvendes til at oplade elektriske akkumulatorbatterier.

---

### ADVARSEL

#### Generelle Sikkerhedsregler

- **Læs og forstå alle instruktioner.** Hvis alle instruktioner nedenfor ikke følges, kan det resultere i elektrisk stød, brand og/eller alvorlig personskade.
- **Det er dit ansvar at gøre denne sikkerhedsinformation tilgængelig for andre, som vil anvende dette produkt.** Hvis standarder og regler ikke følges, kan det medføre personskade.
- **Dette produkt skal altid monteres, betjenes, kontrolleres og vedligeholdes i overensstemmelse med alle gældende standarder og regler (lokale, landsdækkende, europæiske etc).** Overholdelse er dit ansvar. Hvis standarder og regler ikke følges, kan det medføre personskade.
- **Børn bør holdes under opsyn for at sikre, at de ikke bruger eller leger med dette produkt.**
- **Dette produkt er ikke beregnet til brug af personer med nedsatte fysiske, sansemæssige eller mentale evner eller mangel på erfaring og kendskab, med mindre de har været holdt under opsyn eller har modtaget vejledning i brugen af produktet af en person, der er ansvarlig for deres sikkerhed.**

#### Sikkerhed i arbejdsområdet

- **Betjen ikke batteriopladeren i eksplosive atmosfærer, som f.eks. i nærheden af brandbare væsker, gasarter eller støv.** En batterioplader kan danne gnister, som kan antænde støvet eller dampene.

#### Elektrisk Sikkerhed

- **Dobbeltisolerede produkter er udstyret med et polariseret stik (det ene stikben er bredere end det andet). Dette stik kan kun sættes én vej i en polariseret stikkontakt. Hvis stikket ikke kan sættes helt ind i stikkontakten, skal stikket vendes om. Hvis det stadig ikke kan sættes i, skal du kontakte en kvalificeret elektriker for at installere en polariseret stikkontakt. Foretag ikke nogen form for ændringer på stikket.** Dobbeltisolering fjerner behovet for den trefasede jordede netledning og jordede strømforsyningssystem.
- **Mishandl ikke ledningen. Brug aldrig ledningen til at bære eller trække i el-værktøjet og heller ikke til at trække el-værktøjet ud af stikkontakten med. Hold ledningen væk fra varme, olie, skarpe kanter eller bevægelige dele.** Beskadigede eller sammenfiltrede ledninger øger risikoen for elektrisk stød.
- **Et batteridrevet produkt med integralbatterier eller en separat batteripakke må kun genoplades med den specificerede oplader til batteriet.** En oplader, som måske er passende til en type batteri, kan danne risiko for brand, når den anvendes med et andet batteri.
- **Opladeren er kun til indendørs brug. Udsæt ikke opladeren for regn. Brug ikke opladeren i fugtige eller våde områder.** Det kan resultere i elektrisk stød eller anden personskade.
- **Brug altid den specificerede forsyningsspænding.** Forkert spænding kan forårsage elektrisk stød, brand, unormal drift og kan resultere i personskade.
- **Undgå at berøre batteriopladerens poler med fingre, ledninger eller andet ledene materiale. Tilslut kun til et godkendt Ingersoll Rand-batteri.** Det kan resultere i elektrisk stød eller anden personskade.
- **Forsøg ikke at genoplade ikke-genopladelige batterier.** Det kan resultere i elektrisk stød, brand eller personskade.

#### Personlig Sikkerhed

- **Modificér ikke dette produkt, sikkerhedsudstyr eller tilbehør.** Uautoriserede modifikationer kan resultere i elektrisk stød, brand eller personskade.
- **Brug ikke dette produkt til andre formål end anbefalet.** Det kan resultere i elektrisk stød, brand eller anden personskade.
- **Anbring opladeren i en stabil position inden den sættes i en strømkilde. Opladeren skal opbevares utilgængeligt for børn.** Ukorrekt anbringelse eller anvendelse af børn kan resultere i elektrisk stød, brand eller personskade.

#### Brug og Pleje

- **Anvend aldrig en beskadiget oplader eller en oplader, der ikke fungerer korrekt. Træk straks opladeren ud af stikket og få den repareret eller udskiftet.** Fortsat brug kan resultere i elektrisk stød, brand eller personskade.
- **Fjern ikke nogle etiketter. Udskift alle beskadigede etiketter.** Etiketter giver oplysninger, som er nødvendigt for sikker brug af produktet.

#### Service

- **Service må kun udføres af et autoriseret Ingersoll Rand-servicecenter eller lignende kvalificeret reparationspersonale.** Service eller vedligeholdelse, som udføres ukvalificeret personale, kan medføre risiko for tilskadekomst.
- **Åbn ikke dækslet eller kassen. Der er ingen indvendige dele, som skal serviceres af brugeren.** Det kan resultere i elektrisk stød eller anden personskade.
- **Hvis ledningen er beskadiget, skal den udskiftes af et autoriseret Ingersoll Rand-servicecenter eller lignende kvalificeret reparationspersonale.** Beskadigede og forkert installerede ledninger øger risikoen for elektrisk stød.

**OBS**

Der henvises til produktinformationsvejledningen for modelspecifik sikkerhedsinformation.

**Identifikation af Sikkerhedssymbol**

Risiko for eksplosion.

Følg alle sikkerhedsprocedurer for brug.

(Tegning 16589525)



Bruk  
vernebriller



Bruk  
hørselsvern



Les håndbøgene før du tar i  
bruk produktet betjenes

**Sikkerhedsinformation – Forklaring på Sikkerhedssignaler**

**FARE**

Angiver en overhængende farlig situation, som, hvis den ikke undgås, vil resultere i dødsfald eller alvorlig personskade.



**ADVARSEL**

Angiver en mulig farlig situation, som, hvis den ikke undgås, kan resultere i dødsfald eller alvorlig personskade.



**FORSIGTIG**

Angiver en mulig farlig situation, som, hvis den ikke undgås, kan resultere i mindre eller moderat personskade eller ejendomsskade.



**OBS**

Angiver information eller firmapolitik, som direkte eller indirekte vedrører personalesikkerhed eller ejendomsbeskyttelse.

**Information om Produktdele****⚠ FORSIGTIG**

**Brug af reservedele, som ikke er originale Ingersoll Rand-produkter kan resultere i sikkerhedsrisici, forringet værktøjsydelse samt ekstra vedligeholdelse og kan gøre alle garantier ugyldige.**

**Reparationsarbejde må kun udføres af autoriseret og korrekt uddannet personale. Rådfør dig med det nærmeste Ingersoll Rand-autoriserede servicecenter.**

Den originale vejledning er på engelsk. Andre sprog er en oversættelse af den originale vejledning. Vejledninger kan downloades fra [ingersollrandproducts.com](http://ingersollrandproducts.com).

Al korrespondance bedes stilet til **Ingersoll Rands** nærmeste kontor eller distributor.

## Produktbeskrivning

En sladdlös slående mattermaskin är ett batteridrivet, handhållen verktyg som använder roterande slag för att dra åt eller lossa gängade fästelement via speciellt härdade löstagbara hylsor.



**VARNING**

### Allmänna Säkerhetsregler

- **Varning!** Läs alla instruktioner. Underlåtenhet att följa alla instruktioner som anges nedan kan resultera i elektrisk stöt, brand och/eller allvarlig skada. Spara alla varningar och instruktioner för framtida referens. Termen "verktygsmaskin" i alla varningar nedan refererar till ditt nätdrivna (via nät kabel) verktyg eller batteridrivna (sladdlösa) verktyg.
- **Det är ditt ansvar att tillhandahålla denna säkerhetsinformation till andra personer som använder den här produkten.** Underlåtenhet att följa standarder och föreskrifter kan orsaka personskada.
- **Installera, använd, inspektera och underhåll alltid den här produkten i enlighet med alla tillämpbara standarder och föreskrifter (lokala, statliga etc.).** Det är ditt ansvar att följa dessa. Underlåtenhet att följa standarder och föreskrifter kan orsaka personskada.

### Säkerhet på arbetsplatsen

- **Se till att hålla ditt arbetsområde rent och väl belyst.** Skräpiga bänkar och mörka platser inbjuder till olyckor.
- **Använd inte verktygsmaskiner i explosiva atmosfärer, såsom i närvaro av brandfarliga vätskor, gaser eller damm.** Verktygsmaskiner skapar gnistor vilka kan antända dammet eller ångorna.
- **Se till att hålla barn och åskådare borta när du använder en verktygsmaskin.** Störningar kan göra att du förlorar kontrollen.
- **Var medveten om dolda eller andra faror i din arbetsmiljö. Du ska undvika att skada eller komma i kontakt med kablar, kontakter, rör eller slangor som kan innehålla elektriska ledare, explosiva gaser eller skadliga vätskor.** Detta kan resultera i elektrisk stöt, brand eller personskada.

### Elektrisk Säkerhet

- **Verktygsmaskinens kontakter måste vara ämnade för typen av uttag. Kontakten får aldrig modifieras på något sätt. Använd inte några adapterkontakter tillsammans med jordade verktygsmaskiner.** Ej modifierade kontakter och överensstämmande uttag reducerar risken för stöt.
- **Undvik kroppskontakt med jordade ytor såsom rör, radiatorer, spisar och kylskåp.** Risken för elektrisk stöt ökar om din kropp är jordad.
- **Utsätt inte verktygsmaskiner för regn eller våta förhållanden.** Risken för elektrisk stöt ökar om vatten tränger in i en verktygsmaskin.
- **Misshandla inte kabeln. Använd aldrig kabeln för att bära, dra eller koppla ur verktygsmaskinen. Se till att hålla kabeln borta från värme, olja, skarpa kanter och delar i rörelse.** Skadade eller intrasslade kablar ökar risken för elektrisk stöt.
- **Vid användning av en verktygsmaskin utomhus ska man använda en lämplig förlängningskabel ämnad för utomhusbruk.** Användning av en lämplig förlängningskabel ämnad för utomhusbruk minskar risken för elektrisk stöt.
- **Om det är absolut nödvändigt att använda eldrivna verktyg på en fuktig plats ska elkällan vara skyddad av jordfelsbrytare.** Användning av jordfelsbrytare minskar risken för elektrisk stöt.
- **Använd alltid angiven ingående spänning.** Felaktig spänning kan orsaka elektrisk stöt, brand, onormal funktion och kan resultera i personskada.
- **Se till att alla elektriska kablar har korrekt storlek samt att alla kontakter och anslutningar sitter fast ordentligt.** För klena kablar och lösa kontakter kan orsaka elektrisk stöt och brand samt resultera i personskada.

### Personlig Säkerhet

- **Håll dig uppmärksam, titta på vad du gör och använd sunt förnuft när du använder en verktygsmaskin. Använd inte verktygsmaskinen när du är trött eller påverkad av droger, alkohol eller medicin.** Att vara uppmärksam för ett ögonblick kan resultera i allvarlig personskada.
- **Använd säkerhetsutrustning. Använd alltid ögonskydd.** Säkerhetsutrustning såsom dammasker, halkfria arbetsskor, hjälm eller bullerskydd som används då situationen så kräver minskar risken för personskador.
- **Undvik oavsiktlig start. Kontrollera att verktyget är avstängt innan det ansluts.** Att bära verktygsmaskiner med ditt finger på avtryckaren eller att ansluta verktygsmaskiner som är påslagna inbjuder till olyckor.
- **Ta bort alla justeringsnycklar innan verktygsmaskinen startas.** Att lämna kvar en nyckel på en roterande del av verktygsmaskinen kan resultera i personskada.
- **Sträck dig inte för långt. Se alltid till att bibehålla fotfäste och balans.** Detta innebär bättre kontroll av verktygsmaskinen i oförväntade situationer.
- **Bär lämplig klädsel. Bär inte löst sittande kläder eller smycken. Fäst upp långt hår. Se till att hålla ditt hår, dina kläder och handskar borta från rörliga delar.** Löst sittande kläder, smycken eller långt hår kan fastna i rörliga delar.
- **Om det förekommer utrustning för dammsugning och uppsamling ska du kontrollera att dessa är korrekt anslutna och att de används på lämpligt sätt.** Användning av denna utrustning kan minska dammrelaterade faror.
- **Använd tvingar eller andra lämpliga sätt för att fästa och stötta arbetsstycket på ett stadigt underlag.** Att hålla arbetsstycket i handen eller mot kroppen är inte stabilt och det kan leda till att du tappar kontrollen.
- **Motverka exponering och inandning av farligt damm och partiklar som skapas av verktygsmaskinens användning.**
  - Vissa typer av damm som skapas vid slipning, sågning, fräsning, borrar och andra konstruktionsaktiviteter innehåller kemikalier som man vet orsakar cancer, fosterdefekter eller annan reproduktiv skada. Några exempel på dessa kemikalier är:
    - bly från blybaserade färger,
    - kiselkristaller från tegel, cement eller andra murbruksprodukter och
    - arsenik och krom från kemiskt behandlat timmer.
  - Den risk du utsätts för vid exponering varierar beroende på hur ofta du utför den här typen av arbete. Gör så här för att reducera din exponering för dessa kemikalier: arbeta i ett väl ventilerat område och arbeta med godkänd säkerhetsutrustning såsom andningsmasker som är speciellt utformade för att filtrera bort mikroskopiska partiklar.
- **Sluta använd verktyget om du känner obehag, stickningar eller smärta.** Vibration, upprepade rörelser eller obekväma positioner kan vara skadligt för dina händer och armar. Verktygsmaskiner kan vibrera vid användning. Sök medicinsk rådgivning innan du återupptar

användning.

- **Vibrationerna under faktiskt bruk av verktyget kan skilja sig från deklarerade värden beroende på det sätt som verktyget används på.** Vidta lämpliga säkerhetsåtgärder för att skydda operatören baserat på exponering under faktiskt bruk
- **Undvik kontakt med verktygets rörliga delar.** Verktyget och/eller dess tillbehör kan fortsätta röra sig efter att det stängts av vilket skapar en risk för intrassling eller annan personskada.

### Verktymsmaskinens Användning och Vård

- **Tvinga inte verktymsmaskinen.** Använd korrekt verktymsmaskin för ditt syfte. Korrekt verktymsmaskin kommer att utföra jobbet bättre och säkrare vid den hastighet för vilken den konstruerats.
- **Använd inte en verktymsmaskin om dess strömbrytare inte slår på eller stänger av den.** En verktymsmaskin som inte kan kontrolleras med strömbrytaren är farlig och måste repareras.
- **Koppla bort kontakten från strömkällan innan du utför några justeringar, byter tillbehör eller lägger undan verktymsmaskinen för förvaring.** Dessa förebyggande säkerhetsåtgärder reducerar risken för att verktyget startas oavsiktligt.
- **Förvara verktymsmaskinerna utom räckhåll för barn och tillåt inte personer som ej har kunskap om verktyget eller dessa instruktioner att använda verktymsmaskinen.** Verktygen är farliga i händerna på ej utbildade användare.
- **Underhåll av verktymsmaskiner** Kontrollera så att det inte förekommer några rörliga delar som är felriktade eller har fastnat, att någon del har gått sönder samt om det förekommer något annat förhållande som kan påverka verktymsmaskinens funktion. Om den är skadad ska verktymsmaskinen repareras innan den används. Många olyckor beror på dåligt underhållna verktymsmaskiner.
- **Håll skärande verktyg skärpta och rena.** Det är mindre troligt att lämpligt underhållna verktyg med skarpa skärtyr fastnar och de är lättare att styra. Håll handtagen rena och torra för att bibehålla kontrollen.
- **Använd verktymsmaskinerna, tillbehören och insatser etc. i enlighet med dessa instruktioner och på det sätt som avses för respektive typ av verktyg med hänsen till arbetsförhållanden och det arbete som ska utföras.** Användning av verktymsmaskiner för uppgifter som skiljer sig från de avsedda kan resultera i en farlig situation.
- **När du bär handskar ska du alltid se till att dom inte förhindrar att avtryckarmekanismen släpps.** Detta kan leda till personskada.
- **Ta inte bort några etiketter. Byt ut skadade etiketter.** Etiketterna innehåller information som krävs för en säker användning av produkten.

### Användning och skötsel av batteri

- **Ladda batterierna endast med den laddare som angivits av tillverkaren.** En laddare som kan vara lämplig för en typ av batterier kan innebära en brandfara om den används tillsammans med ett annat batteri.
- **Använd verktymsmaskinen endast med det specifikt angivna batteripaketet.** Att använda några andra batteripaket kan skapa risk för skada och brand.
- **När batteripaketet inte används ska det förvaras där det inte kommer i kontakt med andra metallobjekt såsom: gem, mynt, nycklar, skruvar eller andra små metallobjekt som kan utgöra en kontakt från en batteripol till en annan.** Kortslutning av batteripolerna kan orsaka brännskador eller brand.
- **Vätska kan läcka ut från batteriet då det misshandlas. Undvik kontakt. Skölj med vatten vid eventuell kontakt. Sök läkarvård om vätska skulle komma i kontakt med ögonen.** Den vätska som tränger ut ur batteriet kan orsaka irritation eller frätskador.
- **Se till att verktyget är avstängt innan du sätter i ett batteripaket.** Att sätta i ett batteripaket i en påslagen verktymsmaskin är att inbjuda till olyckor.
- **Koppla bort batteripaketet från verktyget eller ställ avtryckaren i ett låst eller avstängt läge innan du utför några justeringar eller byter tillbehör.** Dessa förebyggande säkerhetsåtgärder reducerar risken för att verktyget startas oavsiktligt.
- **Elektriska verktyg kommer att överhettas om de förblir påslagna då verktygets motor är kraftigt belastad, stoppad eller på annat sätt förhindras från att rotera Stäng av verktyget om detta inträffar.** Fortsätter man att ha verktyget påslaget under dessa förhållanden kan det resultera i värme, rök eller brand med person- eller sakskada.
- **Koppla bort batteripaketet från verktyget innan verktyget lagras eller placeras i en verktymslåda eller väska. Oavsiktlig start under lagring eller transport kan orsaka allvarligt farliga förhållanden inklusive ett överhettat verktyg.** Okontrollerad verktymssdrift kan orsaka olika faror inklusive värme, rök eller brand.
- **Täck inte över lufthålen eftersom det kan göra att verktyget överhettas.** Om verktyget används i ett sådant tillstånd kan värme, rök eller brand med personskaador eller materiella skador uppstå.
- **Verktyget kan överhettas vid oavbruten användning eller under andra överdrivna drift- och belastningsförhållanden. Stoppa omedelbart verktyget och låt det svalna om någon av verktygets delar blir för varm för att vidröras eller om det finns tecken på rök från motorn.** Om du fortsätter att använda verktyget under sådana förhållanden kan verktymsskador uppstå, vilka kan leda till personskaador eller materiella skador på grund av värme eller brand.
- **Stoppa omedelbart verktyget och byt ut batterier som blir överdrivet varma vid användning eller som har mycket kort livslängd.** Dessa batterier kan erfordra flera laddnings/urladdningscykler eller kan vara för gamla eller skadade. Fortsatt användning av ett skadat batteri kan leda till personskada eller materiell skada på grund av värme, brand eller explosion.
- **Modifiera inte det här verktyget, dess säkerhetsutrustning eller tillbehör.** Ej godkända modifieringar kan resultera i elektrisk stöt, brand eller personskada.
- **Använd endast tillbehör som rekommenderats av Ingersoll Rand för din modell.** Tillbehör som är lämpliga för ett verktyg kan bli farliga om dom används på ett annat verktyg.
- **Ta inte bort några etiketter. Byt ut skadade etiketter.** Etiketterna innehåller information som krävs för en säker användning av produkten.

### Service

- **Se till att verktymsmaskinens service utförs av utbildad reparatör som endast använder identiska utbytesdelar.** Detta säkerställer att verktymsmaskinens säkerhet bibehålls.
- **Vid service av ett verktyg får endast original Ingersoll Rand reservdelar användas och alla underhållsinstruktioner måste följas.** Användning av ej auktoriserade delar eller underlåtenhet att följa underhållsinstruktionerna kan skapa risk för elektrisk stöt eller skada.
- **Batterierna får inte kastas i eld och dom får inte förbrännas eller värmas upp över 100°C (212°F).** Batterier innebär fara för brand eller kemisk brännskada om de misshandlas.
- **Agera ansvarsfullt och återvinn eller kassera batterierna i enlighet med alla tillämpliga regler och lagar (lokala, kommunala statliga etc.).** Olämplig kassering kan vara miljöfarlig.

**⚠ VARNING****Produktspecifika Säkerhetsregler**

- **Håll verktyget i dess isolerade greppytor när du utför ett arbete där det skärande verktyget kan komma i kontakt med dolda ledningar.** Kontakt med en strömförande ledning kommer även att göra verktygets metalldelar ledande och ge användaren en stöt.
- **På reversibla verktyg ska du kontrollera reverseringsmekanismens läge före användning.** Att känna till rotationsriktningen hjälper dig att bibehålla kontrollen över verktyget.
- **Använd endast hylsor och tillbehör ämnade för slående bruk.** Använd inte (kromade) hylsor eller tillbehör ämnade att brukas för hand. Dessa kan gå sönder och orsaka skada.
- **Kontrollera periodiskt verktygets drivande för att vara säker på att hylshållaren fungerar korrekt och att hylsorna och drivandarna inte är för slitna.** Båda dessa förhållanden kan göra att hylsan lossar vid rotation.
- **Slående verktyg är inte momentnycklar. Förband som kräver ett visst moment måste kontrolleras med en momentmätare efter att de monterats med ett slående verktyg.** Felaktigt åtdragna fästelement kan lossa och orsaka skada.
- **Exponerade avtryckare får inte användas då hinder kan hålla avtryckaren i aktiverat läge.** Det kan hända att du inte kan stänga av verktyget.
- **Rikta inte ljuset mot någon människas eller djurs ögon.** Starkt ljus kan skada ögonen.

**Produktsäkerhetsinformation: Batteri****Produktbeskrivning**

Ett batteri är en elektrisk lagringsenhet som används som energikälla för **Ingersoll Rands** sladdlösa produkter.

**⚠ VARNING****Allmänna säkerhetsvarningar för batteri**

- **Varning! Läs alla säkerhetsvarningar och instruktioner.** Om du inte följer varningar och instruktioner riskerar du att utsätta dig för elstötar, brand och/eller allvarliga skador.
- **Spara alla varningar och instruktioner för framtida referens.**
- **Det är ditt ansvar att tillhandahålla denna säkerhetsinformation till andra personer som använder den här produkten.** Underlåtenhet att följa standarder och föreskrifter kan orsaka personskada.
- **Installera, använd, inspektera och underhåll alltid den här produkten i enlighet med alla tillämpbara standarder och föreskrifter (lokala, statliga etc.).** Det är ditt ansvar att följa dessa. Underlåtenhet att följa standarder och föreskrifter kan orsaka personskada.
- Med termen "elektriska handverktyg" i varningarna avses dina batteridrivna (sladdlösa) elektriska handverktyg.

**Elektrisk säkerhet**

- **Utsätt inte batterier eller elektriska handverktyg för regn eller våta förhållanden.** Om vatten tränger in i ett batteri eller ett elektriskt handverktyg ökar risken för stötar.

**Personlig säkerhet**

- **Modifera inte den här produkten, dess säkerhetsutrustning eller tillbehör.** Ej godkända modifieringar kan resultera i elektrisk stöt, brand eller personskada.

**Användning och underhåll av batterier och elektriska handverktyg**

- **Förvara batterier och elektriska handverktyg som du inte använder utom räckhåll för barn och låt inte personer som inte är förtrogna med dessa eller med dessa instruktioner handskas med batteriet eller det elektriska handverktyget.** Batterier och elektriska handverktyg är farliga i händerna på utbildade användare.
- **Använd batteriet, det elektriska handverktyget, tillbehör och verktygsdelar m.m. i enlighet med dessa instruktioner, och ta hänsyn till arbetsförhållanden och det arbete som ska utföras.** Vid användning av batteriet eller det elektriska handverktyget för andra arbeten än de avsedda kan farliga situationer uppstå.
- **Ladda endast om med den laddare som specificerats av tillverkaren.** En laddare som är lämplig för en typ av batterienheter kan vara brandfarlig när den används tillsammans med andra batterienheter. Se manualen "Produktinformation för laddare" för ytterligare varningar som är specifika för laddare.
- **Använd endast elektriska handverktyg med särskilt avsedda batterienheter.** Vid användning av andra batterienheter kan skade- och brandrisk uppstå.
- **När batteripaketet inte används ska det förvaras där det inte kommer i kontakt med andra metallobjekt såsom: gem, mynt, nycklar, skruvar eller andra små metallobjekt som kan utgöra en kontakt från en batteripol till en annan.** Kortslutning av batteripolerna kan orsaka gnistor, brännskador eller brand.
- **Vid oriktiga förhållanden kan vätska spruta ut från batteriet; undvik kontakt. Om kontakt oavsiktligen uppstår, skölj med vatten. Om vätska kommer i kontakt med ögon, uppsök även läkare.** Vätska som sprutar ut från batteriet kan orsaka irritation eller brännsår.
- **Stoppa omedelbart verktyget och byt ut batterier som blir överdrivet varma vid användning eller som har mycket kort livslängd.** Dessa batterier kan erfordra flera laddnings/urladdningscykler eller kan vara för gamla eller skadade. Fortsatt användning av ett skadat batteri kan leda till personskada eller materiell skada på grund av värme, brand eller explosion.
- **Ta inte bort några etiketter. Byt ut skadade etiketter.** Etiketterna innehåller information som krävs för en säker användning av produkten.
- **Utsätt inte batterierna för mekaniska stötar.**
- **Lämna inte ett batteri i långvarig laddning när det inte används.**
- **Avlägsna batteriet från utrustningen när den inte används om det är möjligt.**
- **Använd inte batterier som är fysiskt skadade.**

## Service

- **Batterierna får inte kastas i eld och dom får inte förbrännas eller värmas upp över 100°C (212°F).** Batterier innebär fara för brand eller kemisk brännskada om de misshandlas.
- **Agera ansvarsfullt och återvinn eller kassera batterierna i enlighet med alla tillämpliga regler och lagar (lokala, kommunala statliga etc.).** Olämplig kassering kan vara miljöfarlig.
- **Öppna inte kåpa eller inneslutning. Användaren kan inte utföra service på några inre delar.** Det kan resultera i elektrisk stöt eller annan personskada.

## Produktsäkerhetsinformation: Batteriladdare

### Produktbeskrivning

En batteriladdare är en elektrisk enhet som konverterar växelspanning till likspanning vilken används för att ladda elektriska batterier.

### VARNING

### Allmänna Säkerhetsregler

- **Läs och skaffa dig förstäelse för alla instruktioner.** Underlåtenhet att följa alla instruktioner som anges nedan kan resultera i elektrisk stöt, brand och/eller allvarlig personskada.
- **Det är ditt ansvar att tillhandahålla denna säkerhetsinformation till andra personer som använder den här produkten.** Underlåtenhet att följa standarder och föreskrifter kan orsaka personskada.
- **Installera, använd, inspektera och underhåll alltid den här produkten i enlighet med alla tillämpliga standarder och föreskrifter (lokala, statliga etc.).** Det är ditt ansvar att följa dessa. Underlåtenhet att följa standarder och föreskrifter kan orsaka personskada.
- **Barn bör hållas under uppsikt för att tillförsäkra att de inte använder eller leker med denna produkt.**
- **Denna produkt får inte användas av personer med nedsatt fysisk, sensorisk eller mental kapacitet eller av personer som saknar erfarenhet och kunskap, om de inte har fått ledning eller instruktioner beträffande produktens användning av en person som ansvarar för deras säkerhet.**

### Säkerhet på arbetsplatsen

- **Använd inte batteriladdare i explosiva atmosfärer såsom i närvaro av brandfarliga vätskor, gaser eller damm.** En batteriladdare kan skapa gnistor vilka kan antända dammet eller ångorna.

### Elektrisk Säkerhet

- **Dubbelt isolerade produkter är utrustade med en polariserad kontakt (ett stift är bredare än det andra).** Den här kontakten passar bara på ett sätt i ett polariserat uttag. Om kontakten inte passar i uttaget ska du vända på den och försöka på nytt. Om den fortfarande inte passar ska du be en utbildad elektriker att installera ett polariserat uttag. Förändra inte kontakten på något sätt. Dubbel isolering eliminerar behovet av en tredjedad jordad kabel och en jordad strömförsörjning.
- **Misshandla inte kabeln. Använd aldrig kabeln för att bära, dra eller koppla ur verktygsmaskinen. Se till att hålla kabeln borta från värme, olja, skarpa kanter och delar i rörelse.** Skadade eller intrasslade kablar ökar risken för elektrisk stöt.
- **En batteridriven produkt med interna batterier eller ett separat batteripaket får endast laddas med den för batterierna angivna laddaren.** En laddare som kan vara lämplig för en typ av batterier kan innebära en brandfara om den används tillsammans med ett annat batteri.
- **Laddaren är endast ämnad för inomhusbruk. Utsätt inte laddaren för regn. Använd inte laddaren på fuktiga eller våta platser.** Detta kan resultera i elektrisk stöt eller annan personskada.
- **Använd alltid angiven ingående spänning.** Felaktig spänning kan orsaka elektrisk stöt, brand, onormal funktion och kan resultera i personskada.
- **Undvik att komma i kontakt med batteriladdningspolerna med fingrarna eller andra ledande material. Anslut endast till godkänt Ingersoll Rand-batteri.** Detta kan resultera i elektrisk stöt eller annan personskada.
- **Försök inte ladda ej laddningsbara batterier.** Det kan resultera i brand eller personskada.

### Personlig Säkerhet

- **Modifiera inte den här produkten, dess säkerhetsutrustning eller tillbehör.** Ej godkända modifieringar kan resultera i elektrisk stöt, brand eller personskada.
- **Använd inte den här produkten för andra ändamål än de rekommenderade.** Det kan resultera i elektrisk stöt, brand eller annan personskada.
- **Placera laddaren i en stabil position innan den ansluts till en strömkälla. Håll laddaren utom räckhåll för barn.** Felaktig placering eller användning av barn kan resultera i elektrisk stöt, brand eller personskada.

### Användning och Vård

- **Använd aldrig en skadad eller felaktigt fungerande laddare. Koppla omedelbart ur laddaren och se till att den repareras eller byts ut.** Fortsatt användning kan resultera i elektrisk stöt, brand eller personskada.
- **Ta inte bort några etiketter. Byt ut skadade etiketter.** Etiketterna innehåller information som krävs för en säker användning av produkten.

### Service

- **Service får endast utföras på en av Ingersoll Rand auktoriserad serviceverkstad eller av likvärdigt utbildad reparationspersonal.** Service eller underhåll som utförts av utbildad personal kan resultera i risk för skada.
- **Öppna inte kåpa eller inneslutning. Användaren kan inte utföra service på några inre delar.** Detta kan resultera i elektrisk stöt eller annan personskada.
- **Om nätkabeln är skadad måste den bytas ut på en av Ingersoll Rand auktoriserad serviceverkstad eller av likvärdigt utbildad reparationspersonal.** Skadade och olämpligt monterade kablar ökar risken för elektrisk stöt.

**OBS**

Se produktinformationen för modellspecifik säkerhetsinformation.

**Identifiering av Säkerhetssymboler**

Explosionsrisk.  
Följ alla säkerhetsförfaranden vid användning.



Använd  
ögonskydd



Använd  
bullerskydd



Läs handböckerna innan  
produkten tas i drift



(Ill. 16589525)

**Säkerhetsinformation – Förklaring av säkerhetssignalord**

**FARA** Indikerar en hotande farlig situation vilken, om den inte undviks, kommer att resultera i dödsfall eller allvarlig skada.

**VARNING** Indikerar en potentiellt farlig situation vilken, om den inte undviks, kan resultera i dödsfall eller allvarlig skada.

**VAR FÖRSIKTIG** Indikerar en potentiellt farlig situation vilken, om den inte undviks, kan resultera i lättare eller måttlig skada eller skada på egendom.

**OBS** Indikerar information eller företagspolicy som direkt eller indirekt relaterar till säkerhet för personal eller skyddande av egendom.

**Produktdelsinformation****VAR FÖRSIKTIG**

Användning av andra än original Ingersoll Rand reservdelar kan resultera i säkerhetsrisker, minskad verktygsprestanda och ökat underhåll samt ogiltiggörande av alla garantier.

Reparationer får endast utföras av legitimerad, utbildad personal. Kontakta närmaste Ingersoll Rand-auktoriserade serviceverkstad.

Originalinstruktionerna är skrivna på engelska. Andra språk utgör en översättning av originalinstruktionerna.

Manualerna kan laddas ner från [ingersollrandproducts.com](http://ingersollrandproducts.com).

All kommunikation hänvisas till närmaste **Ingersoll Rand**-kontor eller -distributör.

## Produktbeskrivelse

En trådløs trykkluftsnøkkel er et håndholdt kraftverktøy som bruker roterende slag til å stramme eller løse gjengede festeanordninger gjennom spesielt herdede, utskiftbare kraftpiper.

### ADVARSEL

#### Generelle Sikkerhetsregler

- **Advarsel!** Les alle instruksjoner. Unnlattelse i å følge alle instruksjoner nedenfor kan føre til elektrisk støt, brann og/eller alvorlig personskade. Ta vare på alle advarsler og instruksjoner til senere bruk. Uttrykket "kraftverktøy" i alle advarsler nedenfor henviser til enten et strømsatt kraftverktøy (med ledning) eller et batteridrevet (trådløst) kraftverktøy.
- **Det er ditt ansvar å sørge for at sikkerhetsinformasjonen er tilgjengelig for alle som bruker produktet.** Unnlattelse i å følge standarder og regelverk kan føre til personskade.
- **Produktet skal alltid monteres, brukes, inspiseres og vedlikeholdes i henhold til alle gjeldende standarder og regelverk (lokale og nasjonale osv).** Overholdelse er ditt ansvar. Unnlattelse i å følge standarder og regelverk kan føre til personskade.

#### Sikkerhet i arbeidsområdet

- **Hold området rent og velopplyst.** Rot på arbeidsbord og mørke områder oppfordrer til uhell.
- **Bruk ikke kraftverktøy i eksplorative omgivelser, som i nærheten av brannfarlige væsker, gass eller støv.** Kraftverktøy produserer gnister som kan antenne støv eller damper.
- **Hold tilskuere, barn og besøkende på avstand når kraftverktøy brukes.** Distraksjoner kan føre til at du mister kontroll over verktøyet.
- **Vær oppmerksom på nedgravede, skjulte og andre farer i arbeidsområdet. Kontakt eller skad ikke ledninger, ledningsrør, rør eller slanger, da disse kan være strømførende, eller inneholde eksplorative gasser eller farlige væsker.** Dette kan forårsake elektrisk støt, brann eller personskade.

#### Elektrisk Sikkerhet

- **Kraftverktøy-stikk må passe til stikkkontakten. Modifiser aldri stikket på noen måte. Bruk ikke adapterstikk til et jordet kraftverktøy.** Umodifiserte stikk og tilsvarende stikkontakter reduserer risikoen for støt.
- **Unngå kroppskontakt med jordede overflater som rør, radiatorer, ovn eller kjøleskap.** Risikoen for elektrisk støt øker dersom kroppen har jordforbindelse.
- **Utsett ikke kraftverktøy for regn eller våte arbeidsforhold.** Innsiving av vann i et kraftverktøy øker risikoen for elektrisk støt.
- **Misbruk ikke ledningen. Bruk aldri ledningen til å bære eller dra kraftverktøyet, eller til å koble verktøyet fra strømmen. Hold ledningen unna varmekilder, olje, skarpe kanter eller deler i bevegelse.** Skadde eller sammenviklede ledninger øker sjansen for elektrisk støt.
- **Bruk en forlengningsledning til utendørsbruk hver gang kraftverktøyet skal brukes utendørs.** Bruk av en utendørsledning reduserer risikoen for elektrisk støt.
- **Hvis du ikke kan unngå å bruke et elektroverktøy på et fuktig sted, bruk et reststrømstyr (RCD) med beskyttet forsyning.** Bruk av et RCD reduserer faren for elektrisk støt.
- **Bruk alltid spesifisert tilførselsspenning.** Bruk av feil spenning kan føre til elektrisk støt, brann, unormal drift og personskader.
- **Sørg for at alle elektriske ledninger og kabler har korrekt størrelse og at alle stikkontakter og koblinger er satt helt inn.** For små metalltråder og løse forbindelser kan føre til elektrisk støt, brann samt personskade.

#### Personlig Sikkerhet

- **Vær på vakt, se hva du gjør og vær fornuftig når du bruker et kraftverktøy. Bruk ikke kraftverktøyet hvis du er trøtt eller påvirket av narkotika, alkohol eller medisin.** Et øyeblikks uoppmerksomhet kan være nok til å forårsake alvorlig personskade.
- **Bruk sikkerhetsutstyr. Bruk alltid øyevern.** Egnet sikkerhetsutstyr som støvmaske, sklisikre vernesko, hjelm eller hørselsvern reduserer sjansen for personskader.
- **Unngå utilsikket verktøystart. Kontroller at bryteren er i av-stillingen før strømmen kobles til.** Det er farlig å bære kraftverktøy med fingeren på bryteren eller koble kraftverktøy til strømmen med bryteren slått på.
- **Fjern justeringsnøkler før kraftverktøyet slås på.** En nøkkel montert på en roterende del av kraftverktøyet kan føre til personskade.
- **Overuttrekning skal unngås. Sørg for å hele tiden ha et godt fotfeste og balanse.** Slik får du bedre kontroll over kraftverktøyet i uventede situasjoner.
- **Bruk korrekte klær. Bruk ikke løs bekledning eller smykker. La ikke langt hår henge løst. Hold hår, bekledning og hansker vekk fra deler i bevegelse.** Løs bekledning, smykker og langt hår kan fanges i slike deler.
- **Dersom enheter leveres til støvstrahering og oppsamlings, skal det sørges for at disse sammenkobles korrekt og brukes som anvist.** Bruk av slike enheter kan redusere støvelaterede faremomenter.
- **Bruk klemmer og annet praktisk utstyr til å sikre og støtte arbeidsproduktet til en stabil plattform.** Å holde arbeidsproduktet med hånden eller mot kroppen er ustabil og kan føre til tap av kontroll.
- **Unngå innånding av skadelig støv og partikler fra bruk av kraftverktøyet.**
  - Støv fra pussing, saging, sliping, drilling eller andre konstruksjonsaktiviteter kan inneholde kjemikalier som vites å være kreftfremkallende og kan medføre fosterskader og ha andre forplantningskonsekvenser. Eksempler på slike kjemikalier omfatter:
    - bly fra blybasert maling,
    - krystallinsk kvarts fra murstein og sement, samt andre mursteinsprodukter, og
    - arsenikk og krom fra kjemiskbehandlet tre.
  - Eksponeringsrisikoen varierer, avhengig av hvor ofte du utfører slikt arbeid. For å redusere eksponering overfor disse kjemikaliene: Arbeid i et ventilert område, og arbeid med godkjent sikkerhetsutstyr, f.eks. støvmaske som er spesielt designet til å filtrere ut mikroskopiske partikler.
- **Stopp bruk dersom ubehag, kribling eller smerte oppstår.** Vibrasjoner, gjentatte bevegelser og ubehagelige arbeidsstillinger kan være skadelig for hender og armer. Kraftverktøy kan vibrere under bruk. Søk medisinsk veiledning før du bruker utstyret på nytt.
- **Utendelsen av vibrasjoner under faktisk bruk av elektriske verktøy kan variere fra den erklærte verdien, avhengig av hvordan verktøyet brukes.** Foreta nødvendige sikkerhetstiltak for å beskytte operatøren, basert på en vurdering av eksponering under faktisk bruk
- **Unngå kontakt med verktøyet sine bevegende deler.** Verktøy og/eller tilbehør kan være i bevegelse i noen få sekunder etter at strømmen slås av, og dette kan utgjøre en risiko for innvikling eller annen personskade.

## Bruk og pleie av Kraftverktøy

- **Bruk ikke tvang på kraftverktøyet. Bruk i stedet korrekt kraftverktøy for arbeidsoppgaven.** Det riktige kraftverktøyet vil gjøre jobben på en bedre og tryggere måte, med designet hastighet.
- **Bruk ikke kraftverktøyet dersom bryteren ikke slå verktøyet på eller av.** Et kraftverktøy som ikke kan kontrolleres med bryteren er farlig og må repareres.
- **Koble kraftverktøyet fra strømkilden før du foretar justeringer, bytter utstyr, eller setter kraftverktøyet til oppbevaring.** Slike preventive sikkerhetstiltak reduserer risikoen for utilsikket start av verktøyet.
- **Oppbevar ubrukte kraftverktøy utenfor barns rekkevidde og la ikke personer uten erfaring eller innsikt i brukerveiledningen bruke kraftverktøyet.** Verktøy kan være farlige dersom de faller i hendene på uopplærte personer.
- **Vedlikehold kraftverktøy Kontroller for skjev innstilling eller for deler som binder, har brudd eller andre tilstander som kan påvirke verktøysfunksjon. Om kraftverktøyet er skadd, må service utføres før bruk.** Mange ulykker skyldes dårlig vedlikeholdte kraftverktøy.
- **Hold skjæreverktøy skarpt og rent.** Korrekt vedlikeholdt verktøy, med skarpe kanter, vil ikke binde og er lettere å kontrollere. Hold håndtak rene og tørre for å beholde kontroll.
- **Bruk kraftverktøyet, tilbehør og verktøysbit osv. i henhold til disse instruksjonene og som egnet for det aktuelle kraftverktøyet. Vær oppmerksom på spesielle arbeidsforhold samt arbeidsoppgaven som skal utføres.** Bruk av kraftverktøyet til andre formål enn de tiltenkte kan føre til en farlig situasjon.
- **Ved bruk av hansker, kontroller at hanskene ikke forhindrer utløsning av pådragsmekanismen.** Det kan føre til personskade.
- **Fjern ikke etiketter. Skift ut skadde etiketter.** Etiketter inneholder nødvendig informasjon for sikker bruk av produktet.

## Bruk og vedlikehold av batteri

- **Opplading skal bare utføres med produsentens spesifiserte laderenhet.** En laderenhet som passer til en batteritype kan utgjøre en brannfare hvis den brukes med en annen batteritype.
- **Bruk bare det batteridrevne verktøyet med den spesifiserte batteripakken.** Bruk av andre batteripakker kan utgjøre en person- og brannfare.
- **Når batteripakken ikke er i bruk skal den oppbevares på avstand fra objekter som: binders, mynter, nøkler, spiker, skruer og andre små metallobjekter som kan danne en kobling fra en koblingskontakt til den andre.** Kortslutning av batterikontaktene kan føre til forbrenninger eller brann.
- **Dersom væske lekker ut av batteriet i forbindelse med misbruk, må kontakt unngås. Skyll med vann ved kontakt med væske. Søk medisinsk hjelp dersom væsken kommer i øynene.** Væske som slynges ut fra batteriet kan føre til irritasjon eller forbrenninger.
- **Kontroller at bryteren er i av-stillingen før batteripakken monteres.** Å montere batteripakken på kraftverktøyet med bryteren i på-stillingen er som å oppfordre til uhell.
- **Ta batteripakken ut av verktøyet eller flytt bryteren til avslått posisjon før du foretar justeringer eller bytter tilbehør.** Slike preventive sikkerhetstiltak reduserer risikoen for utilsikket start av verktøyet.
- **Kraftverktøy kan gå varme dersom de ikke slås av når verktøymotoren er overbelastet, stoppet eller av annen grunn ikke kan rotere. Slå av for verktøyet dersom dette skjer.** Dersom verktøyet ikke slås av kan det føre til varmeutvikling, røyk eller flammer, og person- eller eiendomsskader.
- **Ta batteripakken ut av verktøyet før verktøyet settes bort eller plasseres i en verktøyskasse eller –pose. Utilsikket verktøysoppstart under oppbevaring eller transport kan føre til flere farlige tilstander, inkludert varmeutvikling.** Ukontrollert verktøysbruk kan føre til flere farlige tilstander, inkludert varmeutvikling, røyk eller flammer.
- **Blokker ikke husets avkjølingshuller, da dette kan føre til overoppvarming av verktøyet.** Bruk av et overoppvarmet verktøy kan føre til varmeutvikling, røyk eller flammer, og person- eller eiendomsskader.
- **Verktøyet kan overoppvarmes under kontinuerlig bruk eller ved svært tungt arbeid. Stans omgående bruk av verktøyet dersom noen del av verktøyet blir for varmt for berøring, eller dersom det kommer røyk fra motoren. La verktøyet kjøles ned.** Dersom verktøyet ikke slås av, kan dette føre til verktøyskade og person- eller eiendomsskade fra varmeutvikling eller brann.
- **Stans omgående bruk og skift ut batterier som overoppvarmes under bruk eller varer i svært kort tid.** Slike batterier har vanligvis et høyt antall ladnings-/avladningssykluser, og kan være gamle eller skadde. Fortsatt bruk av et skadd batteri kan føre til person- eller eiendomsskade fra varmeutvikling, brann eller eksplosjon.
- **Modifiser ikke verktøyet, sikkerhetsanordninger eller tilbehør.** Ikke-godkjente modifikasjoner kan føre til elektrisk støt, brann eller personskade.
- **Bruk bare tilbehør som anbefales av Ingersoll Rand til din modell.** Tilbehør som passer til et verktøy, kan være farlige ved bruk på et annet verktøy.
- **Fjern ikke etiketter. Skift ut skadde etiketter.** Etiketter inneholder nødvendig informasjon for sikker bruk av produktet.

## Service

- **Service skal kun utføres på kraftverktøyet av kvalifiserte reparatører med identiske reservedeler.** Dette garanterer at kraftverktøyet sikkerhet opprettholdes.
- **Ved verktøyservice, bruk bare ekte Ingersoll Rand reservedeler og følg alle vedlikeholdsinstruksjoner.** Bruk av ikke-autoriserte deler eller unnlattelse i å følge vedlikeholdsinstruksjonene kan føre til elektrisk støt eller skade.
- **Kast ikke batterier på bål. Batterier må ikke brennes eller oppvarmes over 100°C (212°F).** Batterier kan utgjøre en brannfare eller forårsake kjemisk forbrenning ved misbruk.
- **Batterier skal gjenvinnes eller kasseres i henhold til alle gjeldende standarder og regelverk (lokale, statlige osv.).** Feilavhending kan utgjøre en miljøfare.



**ADVARSEL**

## Produktspesifikke Sikkerhetsregler

- **Hold verktøyet i de isolerte gripeoverflatene dersom en funksjon utføres hvor skjæreverktøyet kan komme i kontakt med skjult ledningsnett.** Kontakt med en strømsatt ledning vil gjøre eksponerte metalldele av verktøyet strømførende og gi operatøren støt.
- **For reversibele modeller, legg merke til reverseringsmekanismen før bruk.** Kontroll over rotasjonsretningen hjelper med å holde verktøyet under kontroll.

- **Bruk bare slagpiper og tilbehør.** Bruk ikke håndholdte piper (krom) eller tilbehør. De kan ødelegges under bruk og forårsake personskade.
- **Kontroller drivenden av verktøyet med jevne mellomrom for å sikre at pipeholderen fungerer korrekt, og at piper og drivender ikke er for slitte.** Det kan føre til at pipen faller av under rotasjon.
- **Slagnøkler er ikke momentnøkler. Koblinger som krever et spesifikt moment må kontrolleres med en momentmåler etter bruk av en slagnøkkel.** Festeanordninger med feil moment kan løse og forårsake skade.
- **Avdekkede strupesjeld kan ikke brukes hvor blokkeringer kan holde strupen i posisjonen "på".** Det kan bli vanskelig å slå av verktøyet.
- **Lysstrålen må ikke lyse inn i øynene på en person eller et dyr.** Øynene kan ta skade av skarpt lys.

## Sikkerhetsinformasjon for produktet: Batteri

### Produktbeskrivelse

Et batteri er en elektrisk energilagringseenhet, som brukes som strømkilde til trådløse **Ingersoll Rand** produktet.

### ADVARSEL

#### Generelle batteri sikkerhetsadvarsler

- **Advarsel! Les alle sikkerhetsadvarsler og alle instruksjonene.** Manglende etterlevelse av advarsler og instruksjoner kan føre til elektrisk sjokk, brann og/eller alvorlig skade.
- **Ta vare på alle advarsler og instruksjoner til senere bruk.**
- **Det er ditt ansvar å sørge for at sikkerhetsinformasjonen er tilgjengelig for andre som bruker dette produktet.** Unnlattelse i å følge standarder og regelverk kan føre til personskade.
- **Produktet skal alltid monteres, brukes, inspiseres og vedlikeholdes i henhold til alle gjeldende standarder og regelverk (lokale, statlige osv).** Overholdelse er ditt ansvar. Unnlattelse i å følge standarder og regelverk kan føre til personskade.
- Begrepet "power tool" i advarslene viser til ditt batteridrevne (trådløse) verktøy.

#### Elektrisk sikkerhet

- **Ikke utsett batterier eller kraftverktøy for regn eller fukt.** Vann som trenger inn i batteri eller batteridrevne kraftverktøy vil øke elektrisk sjokkrisiko.

#### Personlig sikkerhet

- **Modifiser ikke produktet, sikkerhetsanordninger eller tilbehør.** Uautoriserte modifikasjoner kan føre til elektrisk støt, brann eller personskade.

#### Bruk og vedlikehold av batteri og batteridrevne kraftverktøy

- **Lagre batteri og batteridrevne kraftverktøy utenfor rekkevidde for barn når de ikke er i bruk, og ikke la personer som ikke er kjent med batteri, kraftverktøy eller disse instruksjonene betjene batteriet eller kraftverktøyet.** Batteri og batteridrevne kraftverktøy er farlige å håndtere for utrente brukere.
- **Bruk batteri, kraftverktøy, tilbehør og verktøydeler, osv i henhold til disse instruksjonene, ta hensyn til arbeidsforholdene og arbeidet som skal utføres.** Bruk av batteriet eller kraftverktøyet til andre oppgaver enn det er laget for kan føre til farlige situasjoner.
- **Opplading skal kun utføres med produsentens spesifiserte opplader.** En opplader som passer en type batteripakke kan være brannfarlig om den brukes med en annen type batteripakke. Se laderenhetens produktinformasjonsmanual for ytterligere advarsler.
- **Ikke bruk annet enn den spesifiserte batteripakken sammen med kraftverktøy.** Bruk av enhver andre batteripakke kan føre til brannrisiko eller skade.
- **Når batteripakken ikke er i bruk skal den oppbevares på avstand fra objekter som: binders, mynter, nøkler, spiker, skruer og andre små metallobjekter som kan danne en strømførende forbindelse fra en batterikontakt til den andre.** Kortslutning av batterikontaktene kan føre til gnister, forbrenninger eller brann.
- **Ved feil bruk kan væske støtes ut av batteriet; kontakt med denne må unngås. Skyll med vann ved kontakt med batterivæske. Dersom batterivæske kommer i øynene, søk i tillegg medisinsk hjelp.** Væske som støtes ut fra batteriet kan føre til irritasjon eller forbrenninger.
- **Stans omgående bruk og skift ut batterier som overoppvarmes under bruk eller varer i svært kort tid.** Slike batterier har vanligvis et høyt antall ladnings-/avladningssykluser, og kan være gamle eller skadde. Fortsett bruk av et skadd batteri kan føre til person- eller eiendomsskade fra varmeutvikling, brann eller eksplosjon.
- **Fjern ikke etiketter. Skift ut skadde etiketter.** Etiketter inneholder viktig informasjon for sikker bruk av produktet.
- **Ikke utsett batteriene for mekaniske støt.**
- **Ikke gå fra batteriet i ladeapparatet over lengre tid når det ikke er i bruk.**
- **Når det er mulig bør batteriet tas ut av verktøyet når det ikke er i bruk.**
- **Ikke bruk batterier som er blitt fysisk skadet.**

#### Service

- **Kast ikke batterier på bål.** Batterier må ikke brennes eller oppvarmes over 100°C (212°F). Batterier kan utgjøre en brannfare eller forårsake kjemisk forbrenning ved misbruk.
- **Batterier skal gjenvinnes eller kasseres i henhold til alle gjeldende standarder og regelverk (lokale, statlige osv.).** Feilavhending kan utgjøre en miljøfare.
- **Forsøk ikke å åpne dekslet eller innkapslingen.** Det finnes ingen indre komponenter som kan vedlikeholdes av brukeren. Dette kan føre til elektrisk støt eller annen personskade.

## Sikkerhetsinformasjon for produktet: Batterilader

### Produktbeskrivelse

En batteriladerenhet er en elektrisk enhet som konverterer vekselstrøm til elektrisk jevnstrøm for å lade opp batterier.

### ADVARSEL

#### Generelle Sikkerhetsregler

- **Les og forstå alle instruksjoner.** Unnlattelse i å følge alle instruksjoner nedenfor kan føre til elektrisk støt, brann og/eller alvorlig personskade.
- **Det er ditt ansvar å sørge for at sikkerhetsinformasjonen er tilgjengelig for alle som bruker produktet.** Unnlattelse i å følge standarder og regelverk kan føre til personskade.
- **Produktet skal alltid monteres, brukes, inspiseres og vedlikeholdes i henhold til alle gjeldende standarder og regelverk (lokale, statlige osv).** Overholdelse er ditt ansvar. Unnlattelse i å følge standarder og regelverk kan føre til personskade.
- **Barn må ha tilsyn for å sikre at de ikke bruker eller leker med dette produktet.**
- **Dette produktet er ikke beregnet for å brukes av personer med reduserte fysiske, sensoriske eller mentale evner, eller mangel på erfaring og kunnskaper, hvis de ikke har blitt gitt veiledning eller instruksjoner om bruk av produktet av en person som er ansvarlig for deres sikkerhet.**

#### Sikkerhet i arbeidsområdet

- **Bruk ikke batteriladerenheten i eksplosive omgivelser, som i nærheten av brannfarlige væsker, gass eller støv.** Batteriladerenheten produserer gnister som kan antenne støv eller damper.

#### Elektrisk Sikkerhet

- **Dobbeltisolerte produkter er utstyrt med et polarisert stikk (hvor et blad er bredere enn det andre). Dette stikket vil bare passe inn i et polarisert uttak på en måte. Dersom stikket ikke kan settes helt inn i uttaket, snu det rundt. Dersom det fortsatt ikke kan trykkes helt inn, kontakt en kvalifisert elektriker for installasjon av et polarisert strømuttak. Stikket må ikke modifiseres.** Dobbeltisolering eliminerer behovet for en jordet strømledning og jordet strømtilførselssystem.
- **Misbruk ikke ledningen. Bruk aldri ledningen til å bære eller dra kraftverktøyet, eller til å koble verktøyet fra strømmen. Hold ledningen unna varmekilder, olje, skarpe kanter eller deler i bevegelse.** Skadde eller sammenviklede ledninger øker sjansen for elektrisk støt.
- **Et batteridrevet verktøy med integrerte batterier eller en separat batteripakke kan bare opplades med batteriets spesifiserte laderenhet.** En laderenhet som passer til en batteritype kan utgjøre en brannfare hvis den brukes med en annen batteritype.
- **Laderenheten er bare til innendørsbruk. Utsett ikke laderenheten for regn. Bruk ikke laderenheten i fuktige eller våte omgivelser.** Det kan føre til elektrisk støt eller annen personskade.
- **Bruk alltid spesifisert tilførselsspenning.** Bruk av feil spenning kan føre til elektrisk støt, brann, unormal drift og personskader.
- **Unngå å ta på laderenhetens ladeklemmer med fingrene, ledninger eller annet strømførende materiale. Bare et godkjent Ingersoll Rand batteri skal kobles til.** Det kan føre til elektrisk støt eller annen personskade.
- **Forsøk ikke å gjenopplade engangsbatterier.** Elektrisk støt, brann eller personskade kan da oppstå.

#### Personlig Sikkerhet

- **Modifiser ikke produktet, sikkerhetsanordninger eller tilbehør.** Ikke-godkjente modifikasjoner kan føre til elektrisk støt, brann eller personskade.
- **Bruk ikke produktet til andre formål enn de anbefalte.** Dette kan forårsake elektrisk støt, brann eller personskade.
- **Sørg for at laderenheten står trygt før den kobles til en strømkilde. Hold laderenheten utenfor barns rekkevidde.** Feilplassering eller bruk av barn kan føre til elektrisk støt, brann eller personskade.

#### Bruk og Pleie

- **Bruk aldri en skadd eller feilfungerende lader. Koble straks laderen fra strømmen og send den til reparasjon eller utskifting.** Fortsatt bruk kan føre til elektrisk støt, brann eller personskade.
- **Fjern ikke etiketter. Skift ut skadde etiketter.** Etiketter inneholder nødvendig informasjon for sikker bruk av produktet.

#### Service

- **Service skal bare utføres av et autorisert Ingersoll Rand servicesenter eller tilsvarende kvalifisert reparasjonspersonale.** Service eller vedlikehold utført av ikke-kvalifisert personale kan føre til personskade.
- **Forsøk ikke å åpne dekslet eller innkapslingen. Det finnes ingen indre komponenter som kan vedlikeholdes av brukeren.** Det kan føre til elektrisk støt eller annen personskade.
- **En skadet tilførselsledning skal skiftes ut av et Ingersoll Rand autorisert servicesenter eller tilsvarende kvalifisert reparasjonspersonale.** Skadde eller feilmonterte ledninger øker sjansen for elektrisk støt.

**MERK**

Det henvises til produktets informasjonshåndbok for modellspesifikk sikkerhetsinformasjon.

**Identifikasjon av Sikkerhetssymbol**

Eksplisjonsfare.

Følg alle sikkerhetsinstruksjoner ved bruk.

(Tegn. 16589525)

Bruk  
vernebrillerBruk  
hørselsvernLes håndbøkene før  
du tar i bruk produktet**Sikkerhetsinformasjon – Forklaring av Signalord for Sikkerhet****FARE**

Indikerer en overhengende farlig situasjon som vil medføre dødsfall eller alvorlig personskade dersom den ikke unngås.

**ADVARSEL**

Indikerer en potensielt farlig situasjon som kan medføre dødsfall eller alvorlig personskade dersom den ikke unngås.

**OBS!**

Indikerer en potensielt farlig situasjon som kan medføre mindre eller moderat personskade eller eiendomsskade dersom den ikke unngås.

**MERK**

Indikerer informasjon eller firmapolitikk som direkte eller indirekte kan true sikkerheten til personale eller eiendom.

**Informasjon om Produktdeler****OBS!**

**Bruk av annet enn ekte Ingersoll Rand reservedeler kan føre til sikkerhetsproblemer, redusert verktøysytelse og økt vedlikehold, og kan ugyldiggjøre alle garantier.**

**Reparasjoner skal kun utføres av autorisert personell. Rådfør deg med Ingersoll Rands nærmeste autoriserte servicesenter.**

De originale instruksjonene er på engelsk. Andre språk er en oversettelse av de originale instruksjonene.

Håndbøker kan lastes ned fra [ingersollrandproducts.com](http://ingersollrandproducts.com).

Alle henvendelser rettes til nærmeste **Ingersoll Rand** kontor eller distributør.

## Tuotteen kuvaus

Johdoton impaktiivain on akkuvirralla toimiva, kädessä pidettävä voimatyökalu, joka käyttää pyöriviä impaktiliikkeitä kierrekiinnikkeiden kiristämiseen tai löysentämiseen erikoiskarkaistujen hylsyjen kautta.

### VAROITUS

#### Yleiset turvasäännöt

- **Varoituis!** Lue kaikki ohjeet. Alla olevien ohjeiden noudattamisen laiminlyönti saattaa johtaa sähköiskuun, tulipaloon ja/tai vakavaan loukkaantumiseen. Säilytä kaikki varoitukset ja ohjeet myöhempää käyttöä varten. Termi "voimatyökalu", joka esiintyy kaikissa alla olevissa varoituksissa, viittaa verkkovirralla toimivaan (johdolliseen) voimatyökaluun tai akkutoimiseen (johdottomaan) voimatyökaluun.
- **Sinun vastuullasi on varmistaa, että nämä turvallisuustiedot ovat kaikkien tämän tuotteen käyttäjien saatavilla.** Jos näitä standardeja ja ohjeita ei noudateta, seurauksena saattaa olla loukkaantuminen.
- **Noudata tämän tuotteen käytössä, tarkastamisessa ja huoltamisessa kaikkia voimassa olevia standardeja ja säädöksiä (paikallisia, EU-säännöksiä jne.).** Standardien ja sääntöjen noudattaminen on vastuullasi. Jos näitä standardeja ja ohjeita ei noudateta, seurauksena saattaa olla loukkaantuminen.

#### Työskentelyalueen turvallisuus

- **Pidä työalue puhtaana ja hyvin valaistuna.** Poista roskat ja mahdolliset esteet työskentelyalueelta välttyäksesi vaurioilta.
- **Älä käytä voimatyökaluja räjähtävissä ympäristöissä, kuten palavien nesteiden, kaasujen tai pölyn läheisyydessä.** Voimatyökalu muodostaa kipinöitä, jotka saattavat sytyttää pölyn tai höyryt.
- **Pidä lapset ja sivulliset loitolla, kun käytät voimatyökalua.** Voit menettää laitteesi hallinnan huomiosi suuntautuessa muualle.
- **Varo pilossa olevia vaaratekijöitä. Älä kosketa tai vaurioita johtimia, johteita, putkia tai letkuja, joissa voi olla sähköjohtoja, räjähtäviä kaasuja tai haitallisia nesteitä.** Seurauksena voi olla sähköisku, tulipalo tai vammautuminen.

#### Sähkötekninen Turvallisuus

- **Voimatyökalun virtajohdon koskettaminen on vastattava pistorasiaa. Älä muuta pistotulppaa millään tavoin. Älä käytä sovittipistotulppia maadoitettujen voimatyökalujen kohdalla.** Muuttamattomat pistotulpat ja yhdenmukaiset pistorasiat vähentävät sähköiskun vaaraa.
- **Vältä kehooskostatusta maadoitettuihin pintoihin, kuten putkiin, lämpöpattereihin ja jääkaappeihin.** Sähköiskun vaara kasvaa, jos kehostasi on maattokytkenä.
- **Älä altista voimatyökaluja sateelle tai kosteudelle.** Veden tunkeutuminen voimatyökalun sisään kasvattaa sähköiskun riskiä.
- **Älä käytä verkkojohtoa väärin. Älä koskaan käytä verkkojohtoa voimatyökalun kantamiseen, vetämiseen tai pistotulpan irrottamiseen pistorasiasta. Pidä johto loitolla kuumuudesta, öljystä, terävistä reunoista ja liikkuvista osista.** Vaurioituneet tai mutkalla olevat johdot lisäävät sähköiskun vaaraa.
- **Kun käytät voimatyökalua ulkona, käytä ulkokäyttöön sopivaa jatkojohtoa.** Ulkokäyttöön sopivan jatkojohdon käyttäminen vähentää sähköiskun vaaraa.
- **Jos sähkötyökalun käyttöä kosteassa paikassa ei voi välttää, käytä vikavirtasuojakytkimellä (RCD) suojattua virtalähdettä.** Vikavirtasuojakytkimen käyttö vähentää sähköiskun vaaraa.
- **Käytä aina määritettyä syöttöjännitettä.** Väärä jännite voi aiheuttaa sähköiskun, tulipalon, virheellistä toimintaa tai henkilövahingon.
- **Varmista, että kaikki sähköjohdot ja kaapelit ovat oikean kokoisia ja että kaikki pistotulpat ja liittimet on liitetty kunnolla.** Liian pienet johtimet ja löysät liitännät voivat aiheuttaa sähköiskun, tulipalon tai henkilövahingon.

#### Henkilökohtainen Turvallisuus

- **Ole valpas, kiinnitä huomiota työskentelyysi ja noudata tervettä järkeä sähkötyökalua käyttäessäsi. Älä käytä voimatyökalua, kun olet väsynyt tai huumeiden, alkoholin tai lääkkeiden vaikutuksen alainen.** Hetken tarkkaamattomuus voimatyökalua käytettäessä saattaa johtaa vakavaan loukkaantumiseen.
- **Käytä suojavarusteita. Käytä aina suojalaseja.** Suojavarusteita, kuten pölynsuojanaamaria, luistamattomia turvajalkineita, kypärää ja kuulosuojaimia on käytettävä tilanteen mukaan oikein, jotta henkilövahinkojen vaara pienenee.
- **Vältä voimatyökalun tahaton käynnistämistä. Varmista, että kytkin on pois päältä, ennen kuin kytket työkalun pistorasiaan.** Onnettomuusvaara lisääntyy, jos kannat voimatyökalua sormi käyttökytkimellä tai kytket työkalun virtajohdon pistorasiaan, kun käyttökytkin on päällä.
- **Irrota säätövaimet tai kiintolenkit ennen voimatyökalun kytkemistä päälle.** Voimatyökalun pyörivässä osassa oleva säätövaimin tai kiintolenkki voi johtaa henkilövahinkoon.
- **Älä kurota. Huolehdi aina tukevasta seisoma-asennosta ja tasapainosta.** Kunnollinen jalansija ja tasapaino mahdollistaa voimatyökalun paremman hallinnan ylläpitävissä tilanteissa.
- **Käytä tarkoitukseen soveltuvia vaatteita. Älä käytä löysiä työvaatteita tai koruja. Kiinnitä aina pitkät hiukset. Pidä hiukset, vaatteet ja hansikkaat poissa liikkuvista osista.** Ne voivat tarttua liikkuviin osiin.
- **Jos saatavilla on pölynpoisto- ja pölynkeräyslaitteistoja, varmista, että ne on kytketty oikein ja että niitä käytetään oikein.** Näiden laitteiden käytöllä voidaan vähentää pölyn liittyviä vaaratekijöitä.
- **Kiinnitä työoppale vakaseen alustaan puristimilla tai muilla sopivilla keinoilla.** Työkappaleen piteleminen käsin kehoa vasten on epävakaa ja voi johtaa hallinnan menetykseen.
- **Vältä voimatyökalun käytöstä syntyvän haitallisen pölyn tai haitallisten partikkeleiden hengittämistä ja niille altistusta.**
  - Työkalua käytettäessä saattaa syntyä pölyä, joka sisältää sellaisia kemikaaleja, joiden tiedetään olevan syöpää, synnyttäviä vammoja tai muita periytyviä haittoja aiheuttavia. Esimerkkejä tällaisista kemikaaleista:
    - lyijypohjaisten maalien lyijy,
    - kidemuotoinen piidioksidi, sementti ja muut muuraustuotteet ja
    - kemiallisesti käsitellystä puusta vapautuva arsenikki ja kromi.
  - Tällainen altistuksen aiheuttama vaara vaihtelee sen mukaan, kuinka usein tällaista työtä tehdään. Voit vähentää näille kemikaaleille altistumista noudattamalla seuraavia ohjeita: Työskentele hyvin ilmastoidulla alueella ja käytä hyväksyttyjä suojavarusteita, kuten pölymaskeja, jotka on suunniteltu mikroskooppisten partikkelien suodattamiseen.

- **Lopeta työkalun käyttö, jos ilmaantuu epämiellyttäviä tuntemuksia, pistelyä tai kipua.** Tärinä, toistuvat liikkeet tai epämiellyttävät asennot voivat olla haitallisia käsille ja käsivarsille. Voimatyökalut voivat täräistä käytössä. Pyydä lääkäriltä ohjeita ennen käytön jatkamista.
- **Voimatyökalun todellinen tärinäarvo saattaa poiketa ilmoitetusta arvosta. Tärinäarvo riippuu työkalun käyttötavasta.** Arvioi altistus todellisen käytön perusteella ja suojaa käyttäjää ottamalla käyttöön tarvittavat turvallisuusvoimenpiteet
- **Älä kosketa työkalun liikkuvia osia.** Työkalu ja/tai lisävaruste voi liikkua vielä hetken virran katkaisun jälkeenkin, mikä luo jumitumisen tai muun henkilökohtaisen loukkaantumisen vaaran.

## Voimatyökalun Käyttö ja Hoito

- **Älä pakota voimatyökalua väkisin.** Käytä kyseiseen työhön tarkoitettua voimatyökalua. Oikea voimatyökalu suoriutuu työstä paremmin ja turvallisemmin, kun sitä käytetään nopeudella johon se on tarkoitettu.
- **Älä käytä voimatyökalua, jos se ei käynnisty ja pysähdy kytkimellä.** Voimatyökalu on vaarallinen, jos kytkin ei toimi. Kytkin on korjattava välittömästi.
- **Irrota voimatyökalun virtajohto pistorasiasta, kun työkalu ei ole käytössä, ennen huoltoa, ennen tarvikkeiden vaihtamista tai ennen säätöjen tekemistä.** Tällaiset ennaltaehkäisevät turvallisuusvaroitimet ehkäisevät työkalun vahingossa käynnistymisen vaaraa.
- **Säilytä käyttämättömänä olevat voimatyökalut lasten ulottumattomissa. Älä anna sellaisten henkilöiden käyttää voimatyökalua, jotka eivät tunne sen toimintaa tai näitä ohjeita.** Työkalut ovat vaarallisia kouluttamattomien käyttäjien käsissä.
- **Tarkista voimatyökalu juuttuneiden osien varalta. Tarkista myös, että kaikki muut käyttöön mahdollisesti vaikuttavat tekijät ovat kunnossa.** Jos havaitset vaurioita, huollata voimatyökalu ennen käyttöä. Monen tapaturman syyt löytyvät huonosti huolletuista voimatyökaluista.
- **Pidä leikkaavat työkalut terävinä ja puhtaina.** Oikein huolletut työkalut, joissa on terävät leikkureunat eivät jumiuudu niin helposti ja niitä on helpompi hallita. Pidä kahvat puhtaina ja kuivina, jotta työkalun hallinta on helppoa.
- **Käytä voimatyökalua, lisävarusteita ja työkaluteriä jne. näiden ohjeiden mukaisesti ja voimatyökalun tyyppin mukaisesti. Ota huomioon työolosuhteet ja suoritettava työ.** Voimatyökalun käyttö muuhun kuin suunniteltuun käyttötarkoitukseen voi johtaa vaaratilanteeseen.
- **Kun käytät hansikkaita, varmista aina, etteivät hansikkaat estä liipaisinmekanismin vapauttamista.** Tuloksena voi olla vammautumisen.
- **Älä irrota mitään merkintöjä. Vaihda vaurioituneiden merkintöjen tilalle uudet.** Merkinnöissä on tärkeitä tietoja tuotteen turvallisesta käytöstä.

## Akun käyttö ja hoito

- **Lataa vain valmistajan määrittämällä laturilla.** Latauslaite, joka soveltuu määrättyntyyppiselle akulle, saattaa muodostaa tulipalovaaran erilaista akkua ladattaessa.
- **Käytä voimatyökalussa ainoastaan siihen tarkoitettua akkua.** Jonkun muun akun käyttö saattaa johtaa loukkaantumiseen ja tulipaloon.
- **Kun akku ei ole käytössä, pidä se poissa seuraavien metalliesineiden läheltä: paperiliittimistä, kolikoista, avaimista, nautoista, ruuveista tai muista pienistä metalliesineistä, jotka voivat oikosulkea akun koskettimet.** Akkukoskettimien välinen oikosulku saattaa aiheuttaa palovammoja tai johtaa tulipaloon.
- **Akusta voi vuotaa nestettä, jos akkua käsitellään väärin. Vältä koskettamasta tällaista nestettä. Jos nestettä joutuu vahingossa iholle, huuhtele kosketuskohta vedellä. Jos nestettä pääsee lisäksi silmiin, hae lääkärin apua.** Akusta vuotanut neste voi aiheuttaa ärsytystä tai palovammoja.
- **Varmista, että kytkin on pois päältä, ennen kuin asennat akkupaketin.** Jos akku asennetaan voimatyökaluun kytkimen ollessa päällä, onnettomuusvaara kasvaa.
- **Irrota akku työkalusta tai aseta kytkin lukittuun off-asentoon ennen säätöjen tekemistä tai lisävarusteiden vaihtamista.** Tällaiset ennaltaehkäisevät turvallisuusvaroitimet ehkäisevät työkalun vahingossa käynnistymisen vaaraa.
- **Sähkötyökalut ylikuumentavat, jos ne jäävät päälle tai jos moottori ylikuormittuu vakavasti, jää jumiin tai sen pyöriminen estetään muuten. Sammuta työkalu, jos näin käy.** Sähkötyökalun käytön jatkaminen tällaisessa tilanteessa voi johtaa kuumuuteen, savuun tai tulipaloon sekä vammoihin ja omaisuusvaurioihin.
- **Irrota akku työkalusta ennen kuin varastoit työkalun tai asetat sen työkalulaatikkoon tai -pussiin. Vahingossa tapahtuva käynnistys varastoinnin tai kuljetuksen aikana voi aiheuttaa vaarallisia tilanteita, kuten työkalun ylikuumentumisen.** Työkalun hallitsema- ton toiminta voi aiheuttaa eri vaurioita, mukaan lukien kuumuus, savu tai tuli.
- **Älä tuki rungon jäähdytysilmareikiä, sillä tämä voi johtaa työkalun ylikuumentumiseen.** Työkalun käytön jatkaminen tällaisessa tilanteessa voi johtaa kuumuuteen, savuun tai tulipaloon sekä vammoihin ja omaisuusvaurioihin.
- **Työkalu voi ylikuumentua, jos sitä käytetään jatkuvasti vaativissa oloissa. Jos työkalun jokin osa tulee liian kuumaksi koskettaa tai moottorista tulee vähänkin savua tai hajua, lopeta heti työkalun käyttö.** Työkalun käytön jatkaminen tällaisessa tilanteessa voi johtaa työkalun vaurioon sekä vammoihin ja omaisuusvaurioihin, joiden syynä on kuumuus tai tulipalo.
- **Lopeta heti käyttö ja vaihda akku, joka kuumenee liikaa käytössä tai jonka toiminta-aika on hyvin lyhyt.** Tällaiset akut on yleensä ladattu ja purettu monta kertaa tai ne voivat olla vanhoja tai vaurioituneita. Virheellisen akun käytön jatkaminen voi johtaa vammoihin ja omaisuusvaurioihin, joiden syynä on kuumuus, tulipalo tai räjähdys.
- **Älä muuta tätä työkalua, turvalaitteita tai lisävarusteita.** Valtuuttamattoman muutoksen seurauksena voi olla sähköisku, tulipalo tai vammautuminen.
- **Käytä vain Ingersoll Randin tälle mallille suosittelemia tarvikkeita.** Jos varustetta käytetään väärässä mallissa, varuste voi olla vaarallinen.
- **Älä irrota mitään merkintöjä. Vaihda vaurioituneiden merkintöjen tilalle uudet.** Merkinnöissä on tärkeitä tietoja tuotteen turvallisesta käytöstä.

## Huolto

- **Anna voimatyökalu valtuutetun korjaajan huollettavaksi, joka käyttää vain identtisiä varaosia.** Tämä varmistaa, että voimatyökalu pysyy turvallisena.
- **Käytä vain alkuperäisiä Ingersoll Randin varaosia työkalun huoltamiseen ja noudata kaikkia huolto-ohjeita.** Valtuuttamattomien osien käyttö ja huolto-ohjeiden noudattamatta jättäminen voi johtaa sähköiskuihin tai vakaviin henkilövahinkoihin.
- **Älä hävitä akkuja tulella, polttamalla äläkä kuumenna akkuja yli 100 °C:n (212 °F:n) lämpötilaan.** Jos akkuja hoidetaan väärin, ne aiheuttavat tulipalon tai kemiallisen palovamman vaaran.

- Hävitätä tai kierrätätä akut vastuullisella tavalla noudattaen tuotteen käytössä, tarkastamisessa ja huoltamisessa kaikkia voimassa olevia standardeja ja säädöksiä (paikallisia, EU-säännöksiä jne.). Väärä hävitystapa voi vahingoittaa ympäristöä.

### VAROITUS

#### Tuotekohtaiset Turvasäännöt

- Pitele työkalua eristetartuntapinoista, kun suoritat toimenpiteen, jossa leikkaustyökalu voi koskettaa piilossa olevia johtoja. Kosketus jännitteiseen johtimeen saa myös työkalun paljastaa metalliasot jännitteiseksi ja voi aiheuttaa käyttäjälle sähköiskun.
- Jos mallin toimintasuunta on käännettävissä, kiinnitä huomiota kääntömekanismin asentoon ennen työkalun käyttöä. Työkalu pysyy paremmin hallinnassa, kun tiedät pyörimissuunnan.
- Käytä vain impakti-istukoita ja tarvikkeita. Älä käytä käsi-istukoita (kromi) tai tarvikkeita. Ne voivat hajota käytössä ja aiheuttaa vammoja.
- Tarkista työkalun käyttöpäätä säännöllisesti ja varmista, että istukan pidike toimii oikein ja että istukat ja käyttöpäät eivät ole liian kuluneita. Muussa tapauksessa istukka voi irrota pyöriessään.
- Impaktiavaimet eivät ole momenttiväntimiä. Tietyn momentin vaativat liitokset on tarkistettava momenttimittarilla impaktiavaimella asennuksen jälkeen. Väärään momenttiin kiristetyt kiinnikkeet voivat irrota ja aiheuttaa vammoja.
- Paljaita nopeudensäätimiä ei saa käyttää, jos este voi pitää nopeudensäätimen ”päällä”-asennossa. Työkalua ei voi ehkä sammuttaa.
- Älä osoita valolla henkilön tai eläimen silmiin. Kirkas valo voi aiheuttaa silmävammoja.

#### Tuotteen turvatiedot: Akku

##### Tuotteen kuvaus

Akku on sähköenergiaa varastoiva tuote, jota käytetään **Ingersoll Rand** johdottomien tuotteiden virranlähteenä.

### VAROITUS

#### Yleisiä akkujen turvallisuusvaroituksia

- **Varoitus! Lue kaikki turvallisuusvaroitukset ja muut ohjeet.** Varoitusten ja ohjeiden laiminlyönti voi aiheuttaa sähköiskun, tulipalon ja/tai vakavan loukkaantumisen.
- Säilytä kaikki varoitukset ja ohjeet myöhemmää käyttöä varten.
- Sinun vastuullasi on varmistaa, että nämä turvallisuustiedot ovat kaikkien tämän tuotteen käyttäjien saatavilla. Jos näitä standardeja ja ohjeita ei noudateta, seurauksena saattaa olla loukkaantuminen.
- Noudata tämän tuotteen käytössä, tarkastamisessa ja huoltamisessa kaikkia voimassa olevia standardeja ja säädöksiä (paikallisia, EU-säännöksiä jne.). Standardien ja sääntöjen noudattaminen on vastuullasi. Jos näitä standardeja ja ohjeita ei noudateta, seurauksena saattaa olla loukkaantuminen.
- Varoituksissa käytetty termi ”sähkötyökalu” viittaa akulla toimivaan (johdottomaan) sähkötyökaluusi.

#### Sähkötekniinen turvallisuus

- Älä altista akkuja tai sähkötyökaluja sateelle tai kosteille olosuhteille. Akun tai sähkötyökalun sisään päässyt vesi lisää sähköiskun riskiä.

#### Henkilökohtainen turvallisuus

- Älä muuta tätä tuotetta, veralitteita tai lisävarusteita. Valtuuttamattoman muutoksen seurauksena voi olla sähköisku, tulipalo tai vammautuminen.

#### Akun ja sähkötyökalun käyttö ja huolto

- Säilytä käyttämättömiä akkuja ja sähkötyökaluja lasten ulottumattomissa, äläkä anna akkuja tai sähkötyökalua sellaisten henkilöiden käyttöön, jotka eivät ole tottuneet niiden käyttöön tai jotka eivät ole lukeneet näitä ohjeita. Akut ja sähkötyökalut ovat vaarallisia harjaantumattomien käyttäjien käsissä.
- Käytä akkuja, sähkötyökalua, lisälaitteita ja työkalujen osia ym. näiden ohjeiden neuvomalla tavalla ja ota huomioon käyttöolosuhteet sekä käytön kohde. Akun tai sähkötyökalun käyttö muihin kuin niille tarkoitettuihin käyttötarkoituksiin voi johtaa vaaratilanteisiin.
- Lataa vain valmistajan määrittämällä laturilla. Tietyn tyyppiselle akulle tarkoitettu laturi saattaa aiheuttaa tulipalon riskin, jos sitä käytetään toisenlaisen akun kanssa. Katso laturia koskevia lisävaroituksia Laturin tuoteoppaasta.
- Käytä sähkötyökalussa ainoastaan kyseiseen sähkötyökaluun tarkoitettua akkuja. Muunlaisien akkujen käyttö voi aiheuttaa vamman tai tulipalon riskin.
- Kun akku ei ole käytössä, pidä se poissa seuraavien metalliesineiden läheltä: paperinliittimistä, kolikoista, avaimista, nautoista, ruuveista tai muista pienistä metalliesineistä, jotka voivat oikosulkea akun koskettimet. Akkukoskettimien välinen oikosulku saattaa aiheuttaa palovammoja tai johtaa tulipaloon.
- Akusta voi vuotaa nestettä, jos akkuä käsitellään väärin. Vältä koskettamasta tällaista nestettä. Jos nestettä joutuu vahingossa iholle, huuhtelee kosketuskohta vedellä. Jos neste joutuu kosketukseen silmien kanssa, ota yhteyttä lääkäriin. Akusta vuotanut neste voi aiheuttaa ärsytystä tai palovammoja.
- Lopeta heti käyttö ja vaihda akku, joka kuumenee liikaa käytössä tai jonka toiminta-aika on hyvin lyhyt. Tällaiset akut on yleensä ladattu ja purettu monta kertaa tai ne voivat olla vanhoja tai vaurioituneita. Virheellisen akun käytön jatkaminen voi johtaa vammoihin ja omaisuusvaurioihin, joiden syynä on kuumuus, tulipalo tai räjähdys.
- Älä irrota mitään merkintöjä. Vaihda vaurioituneiden merkintöjen tilalle uudet. Merkinöissä on tärkeitä tietoja tuotteen turvallisesta käytöstä.
- Älä altista akkuja iskuille.
- Älä jätä akkuja pitkäksi aikaa lataukseen, kun se on käyttämättömänä.
- Jos mahdollista, poista akku laitteesta, kun se ei ole käytössä.
- Älä käytä vaurioituneita akkuja.

#### Huolto

- **Älä hävitä akkuja tulesta, polttamalla äläkä kuumenna akkuja yli 100 °C:n (212 °F:n) lämpötilaan.** Jos akkuja hoidetaan väärin, ne aiheuttavat tulipalon tai kemiallisen palovamman vaaran.
- **Hävitä tai kierrätä akut vastuullisella tavalla noudattaen tuotteen käytössä, tarkastamisessa ja huoltamisessa kaikkia voimassa olevia standardeja ja säädöksiä (paikallisia, EU-säännöksiä jne.).** Väärä hävitystapa voi vahingoittaa ympäristöä.
- **Älä avaa kantta tai koteloa. Sisäpuolella ei ole käyttäjän huollettavissa olevia osia.** Seurauksena voi olla sähköisku tai vammautuminen.

## Tuotteen turvatiedot: Akkulaturi

### Tuotteen Kuvaus

Akkulaturi on sähkölaite, joka muuntaa vaihtovirran tasavirraksi, jota käytetään sähköakkujen lataamiseen.

## ⚠ VAROITUS

### Yleiset Turvasäännöt

- **Lue kaikki ohjeet huolellisesti ja varmista, että ymmärrät ne.** Alla olevien ohjeiden noudattamisen laiminlyönti saattaa johtaa sähköiskun, tulipaloon ja/tai vakavaan loukkaantumiseen.
- **Sinun vastuullasi on varmistaa, että nämä turvallisuustiedot ovat kaikkien tämän tuotteen käyttäjien saatavilla.** Jos näitä standardeja ja ohjeita ei noudateta, seurauksena saattaa olla loukkaantuminen.
- **Noudata tämän tuotteen käytössä, tarkastamisessa ja huoltamisessa kaikkia voimassa olevia standardeja ja säädöksiä (paikallisia, EU-säännöksiä jne.).** Standardien ja sääntöjen noudattaminen on vastuullasi. Jos näitä standardeja ja ohjeita ei noudateta, seurauksena saattaa olla loukkaantuminen.
- **Lapsia on valvottava, jotta he eivät käytä tai leiki tällä tuotteella.**
- **Tätä tuotetta ei ole tarkoitettu liikunta-, aisti- tai kehitysvammaisten henkilöiden tai kokemattomien ja asiantuntemattomien henkilöiden käytettäväksi, jollei heitä valvota tai ole opastettu tuotteen käyttöön heidän turvallisuudestaan vastaavan henkilön toimesta.**

### Työskentelyalueen turvallisuus

- **Älä käytä akkulaturia räjähtävissä ympäristöissä, kuten palavien nesteiden, kaasujen tai pölyn läheisyydessä.** Akkulaturi voi muodostaa kipinöitä, jotka saattavat sytyttää pölyn tai höyryt.

### Sähkötekkinen Turvallisuus

- **Kaksoiseristetyissä tuotteissa on polarisoitu pistotulppa (toinen puoli on toista leveämpi.) Tämä pistotulppa sopii polarisoitun pistorasiaan vain yhdellä tavalla. Jos pistotulppa ei sovi täysin pistorasiaan, käännä pistotulppa. Jos pistotulppa ei vieläkään sovi pistorasiaan, pyydä sähköasentajaa asentamaan polarisoitu pistorasia. Älä muuta pistotulppaa millään tavoin.** Kaksoiseristystä käytettäessä ei tarvita kolmijohtimista maadoitettua virtajohtoa tai maadoitettua virtajärjestelmää.
- **Älä käytä verkkojohtoa väärin. Älä koskaan käytä verkkojohtoa voimatyökalan kantamiseen, vetämiseen tai pistotulpan irrottamiseen pistorasiasta. Pidä johto loitolla kuumuudesta, öljystä, terävistä reunoista ja liikkuvista osista.** Vaurioituneet tai mutkalla olevat johdot lisäävät sähköiskun vaaraa.
- **Akkutyökalan sisäisen tai ulkoisen akun saa ladata vain akulle suunnitellulla laturilla.** Latauslaite, joka soveltuu määrätyn tyyppiselle akulle, saattaa muodostaa tulipalovaaran erilaista akkuja ladattaessa.
- **Laturi on tarkoitettu vain sisäkäyttöön. Älä altista laturia sateelle. Älä käytä laturia kosteissa tai märissä tiloissa.** Seurauksena voi olla sähköisku tai vammautuminen.
- **Käytä aina määritettyä syöttöjännitettä.** Väärä jännite voi aiheuttaa sähköiskun, tulipalon, virheellistä toimintaa tai henkilövahingon.
- **Vältä akun latausnapojen koskettamista sormilla, johtimella tai muulla sähköä johtavalla materiaalilla. Kytke vain hyväksyttyyn Ingersoll Rand-akkuun.** Seurauksena voi olla sähköisku tai vammautuminen.
- **Älä yritä ladata uudelleen paristoja, joita ei ole tarkoitettu ladattaviksi.** Seurauksena voi olla sähköisku, tulipalo tai vammautuminen.

### Henkilökohtainen Turvallisuus

- **Älä muuta tätä tuotetta, turvalaitteita tai lisävarusteita.** Valtuuttamattoman muutoksen seurauksena voi olla sähköisku, tulipalo tai vammautuminen.
- **Käytä tätä tuotetta vain sille suunniteltuun käyttötarkoitukseen.** Seurauksena voi olla sähköisku, tulipalo tai muu vammautuminen.
- **Sijoita laturi vakaseen asentoon ennen kuin kytket sen virtalähteeseen. Pidä laturi poissa lasten ulottuvilta.** Väärän sijoituspaikan tai lasten käytön seurauksena voi olla sähköisku, tulipalo tai vammautuminen.

### Käyttö ja Hoito

- **Älä koskaan käytä vaurioitunutta tai viallista laturia. Irrota heti laturin virtajohto ja lähetä se korjattavaksi tai vaihda laturi.** Käytön jatkon seurauksena voi olla sähköisku, tulipalo tai vammautuminen.
- **Älä irrota mitään merkintöjä. Vaihda vaurioituneiden merkintöjen tilalle uudet.** Merkinnöissä on tärkeitä tietoja tuotteen turvallisesta käytöstä.

### Huolto

- **Tuotteen saa huoltaa vain Ingersoll Randin valtuuttama huoltokeskus tai muu vastaavan pätevyyden omaava korjaushenkilökunta.** Valtuuttamattomien henkilöiden tekemät huollot tai korjaukset voivat johtaa käyttäjien vakavaan vammautumiseen.
- **Älä avaa kantta tai koteloa. Sisäpuolella ei ole käyttäjän huollettavissa olevia osia.** Seurauksena voi olla sähköisku tai vammautuminen.
- **Vaurioituneen virtajohdon saa vaihtaa vain Ingersoll Randin valtuuttama huoltokeskus tai muu vastaavan pätevyyden omaava korjaushenkilökunta.** Vaurioituneet ja väärin asennetut johdot lisäävät sähköiskun vaaraa.

**HUOMAUTUS**

Mallikohtaiset turvallisuustiedot ovat tuoteoppaassa.

**Turvallisuussymbolin Tunniste**

Räjähdysvaara.  
Noudata turvallisuusohjeita.



Käytä  
silmäsuojaimia



Käytä  
kuulosuojaimia



Lue käyttöohjeet  
ennen tuotteen käyttöä



(Piiirros: 16589525)

**Turvallisuustiedot - Turvasanojen Selitys**

<b>VAARA</b>	Ilmaisee välitöntä vaaratilannetta, joka johtaa kuolemaan tai vakavaan loukkaantumiseen, mikäli vaaraa ei ehkäistä.
<b>VAROITUS</b>	Ilmaisee mahdollista vaaratilannetta, joka saattaa johtaa kuolemaan tai vakavaan loukkaantumiseen, mikäli tilannetta ei ehkäistä.
<b>VARO</b>	Ilmaisee mahdollista vaaratilannetta, joka saattaa johtaa lievään tai keskivaikeaan loukkaantumiseen tai materiaalivahinkoihin, mikäli tilannetta ei ehkäistä.
<b>HUOMAUTUS</b>	Ilmaisee ohjeita tai yrityksen toimintatapaa, joka liittyy suoraan tai välillisesti henkilöstön tai kaluston suojeluun.

**Osien Tuotetiedot****VARO**

Muiden kuin aitojen Ingersoll Randin varaosien käyttö voi johtaa turvallisuusvaaroihin, työkalun tehon heikentymiseen, lisääntyneeseen huoltotarpeeseen ja se voi mitätöidä kaikki takuut.

Korjaukset saa tehdä vain valtuutettu, koulutettu henkilökunta. Ota yhteyttä lähimpään Ingersoll Randin valtuutettuun huoltokeskukseen.

Alkuperäiset ohjeet ovat englanninkielisiä. Muut kielet ovat alkuperäisen ohjeen käännöksiä.

Ohjeet voi ladata osoitteesta [ingersollrandproducts.com](http://ingersollrandproducts.com).

Hoida viestintä lähimmän **Ingersoll Rand** -toimiston tai jakelijan kanssa.

## Descrição do Produto

Uma Chave de Impacto Sem Fios é uma ferramenta mecânica, manual, accionada por bateria, que utiliza impactos rotativos para apertar ou desapertar dispositivos de fixação roscados através de chaves de caixa especialmente endurecidas.



### AVISO

#### Regras Gerais de Segurança

- **Aviso!** Leia todas as instruções. Se as instruções que se seguem não forem integralmente cumpridas, podem ocorrer choques eléctricos, incêndios e/ou lesões graves. Conserve todos os Avisos e instruções para futura referência. O termo "ferramenta mecânica", utilizado em todos os avisos abaixo, refere-se à ferramenta mecânica eléctrica sem bateria (com fio) ou à ferramenta mecânica accionada por bateria (sem fios).
- **Compete-lhe a si a responsabilidade pela disponibilização destas informações de segurança a todas as pessoas que venham a utilizar este equipamento.** O incumprimento das normas e dos regulamentos pode dar azo a lesões pessoais.
- **Instale, utilize, inspeccione e mantenha sempre este equipamento de acordo com todas as normas e regulamentos aplicáveis (locais, estaduais, nacionais, federais, etc.).** Compete-lhe a si a responsabilidade pelo cumprimento destas normas e destes regulamentos. O incumprimento das normas e dos regulamentos pode dar azo a lesões pessoais.

#### Segurança do trabalho área

- **Mantenha a sua área de trabalho limpa e bem iluminada.** As bancadas de trabalho desarrumadas e as áreas mal iluminadas são mais propícias à ocorrência de acidentes.
- **Não utilize ferramentas mecânicas em atmosferas explosivas, como, por exemplo, em presença de líquidos, gases ou poeiras inflamáveis.** As ferramentas mecânicas produzem faíscas que podem incendiar poeiras ou gases.
- **Sempre que estiver a utilizar uma ferramenta deste tipo, mantenha afastados eventuais espectadores, crianças e visitantes.** Qualquer distração poderá fazer com que perca o controlo do equipamento.
- **Mantenha-se atento a eventuais perigos enterrados e ocultos que possam existir no seu local de trabalho, bem como de todos os outros eventuais perigos existentes nessa área.** Certifique-se de não entra em contacto com cabos, condutas, tubos ou mangueiras que possam conter fios eléctricos, gases explosivos ou líquidos nocivos, certificando-se também de que não os danifica. Se o fizer, poderão ocorrer choques eléctricos, incêndios ou lesões pessoais.

#### Segurança Eléctrica

- **As fichas das ferramentas mecânicas têm de estar de acordo com as tomadas a que vão ser ligadas. Nunca modifique a ficha de nenhuma forma. Nunca utilize fichas adaptadoras com ferramentas mecânicas ligadas à terra.** A utilização de fichas não modificadas e de tomadas correspondentes reduz o risco de choque.
- **Evite qualquer contacto físico com as superfícies ligadas à terra, tal como, por exemplo, canos, aquecedores, fogões e frigoríficos.** Correrá maior risco de apanhar choques eléctricos se o seu corpo estiver ligado à terra.
- **Não exponha ferramentas mecânicas à chuva nem a condições atmosféricas com humidade.** A penetração de água numa ferramenta mecânica aumenta o risco de choque eléctrico.
- **Certifique-se sempre de que usa indevidamente o cabo. Nunca utilize o cabo da ferramenta mecânica para a transportar, para a puxar nem para a desligar da tomada, puxando por ele. Mantenha os cabos afastados do calor, do óleo, de arestas afiadas ou de componentes rotativos.** Os cabos danificados ou emaranhados aumentam o risco de choque eléctrico.
- **Sempre que utilizar uma ferramenta mecânica no exterior, utilize uma extensão própria para utilização no exterior.** A utilização de uma extensão própria para utilização no exterior reduz o risco de choques eléctricos.
- **Se operar uma ferramenta de potência num local húmido for inevitável, use um dispositivo de corrente residual (RCD) com alimentação protegida.** O uso de um RCD reduz o risco de choque eléctrico.
- **Utilize sempre a tensão de alimentação especificada.** Uma tensão incorrecta pode dar origem a choques eléctricos, incêndios, funcionamento irregular e lesões pessoais.
- **Assegure-se sempre de que todos os cabos e fios eléctricos têm a dimensão correcta e de que todas as fichas e todos os conectores estão firmemente inseridos.** Um fio ou cabo de dimensão insuficiente e ligações soltas podem dar origem a choques eléctricos, incêndios e lesões pessoais.

#### Segurança Pessoal

- **Mantenha-se alerta, tenha atenção ao que está a fazer e use o bom senso quando estiver a utilizar uma ferramenta mecânica. Nunca utilize a ferramenta quando estiver cansado ou sob influência de drogas, álcool ou medicamentos.** Um momento de falta de atenção quando se está a utilizar ferramentas deste tipo pode ter como resultado lesões pessoais graves.
- **Use equipamento de segurança. Use sempre protecção ocular.** Devem ser sempre usadas máscara de protecção das vias respiratórias, sapatos de segurança antiderrapantes, capacete ou protecção auricular para assegurar as condições de trabalho apropriadas.
- **Evite uma entrada accidental em funcionamento. Antes de ligar a ferramenta à corrente, certifique-se sempre de que o interruptor de ligação está na posição correspondente a desligada.** Tanto o transporte de ferramentas com o dedo sobre o interruptor de ligação como a ligação à corrente de ferramentas mecânicas cujo interruptor de ligação está ligado podem dar origem a acidentes.
- **Retire quaisquer chaves ajustáveis ou outras chaves antes de ligar a ferramenta mecânica.** Chaves ajustáveis ou outras chaves que tenham ficado presas num componente rotativo da ferramenta mecânica podem provocar lesões pessoais.
- **Nunca se estique demasiado quando estiver a utilizar a ferramenta. Mantenha-se sempre firmemente apoiado e em equilíbrio.** Desta forma poderá controlar melhor a ferramenta em situações inesperadas.
- **Use vestuário apropriado. Não use roupas largas nem jóias. Se tiver cabelo comprido, prenda-o. Mantenha o cabelo, o vestuário e as luvas afastados dos componentes rotativos.** Peças de vestuário largas, jóias e cabelo comprido podem ficar presos nos componentes rotativos.
- **Se existirem dispositivos para ligação de sistemas de extracção e de recolha de pó, certifique-se de que estão devidamente ligados e de que são utilizados correctamente.** A utilização deste tipo de dispositivos pode ajudar a reduzir os perigos inerentes à presença de pó.
- **Utilize dispositivos de fixação ou outros dispositivos práticos para prender a peça a uma plataforma estável e para apoiar nessa plataforma.** Segurar na peça com a mão ou encostá-la ao corpo pode provocar instabilidade e dar origem a perda de controlo.
- **Evite expor-se e respirar poeiras e partículas nocivas resultantes da utilização da ferramenta.**

- Algumas poeiras resultantes de trabalhos de lixagem, serragem, esmerilamento, perfuração e outras actividades de construção contêm produtos químicos que se sabe causarem cancro, defeitos congénitos ou outros problemas do foro reprodutivo. Seguem-se alguns exemplos desses produtos químicos:
  - chumbo proveniente de tintas à base de chumbo,
  - silício cristalino proveniente de tijolos e cimento, bem como de outros produtos utilizados na alvenaria e
  - arsénico e crómio provenientes de madeira tratada quimicamente e utilizada na construção civil.
- O risco em que incorre devido à exposição a estes produtos varia em função da frequência com que faz esse tipo de trabalho. Para reduzir a exposição a esses produtos químicos: trabalhe numa área bem ventilada e use o equipamento de segurança aprovado, por exemplo, máscaras de protecção das vias respiratórias especialmente concebidas para filtrar partículas microscópicas.
- **Interrompa a utilização de qualquer ferramenta se sentir desconforto, sensação de formigamento ou dor.** As vibrações, os movimentos repetitivos ou as posições desconfortáveis podem ser prejudiciais para as suas mãos e para os seus braços. As ferramentas mecânicas podem vibrar quando estão a ser utilizadas. Aconselhe-se junto do médico antes de as voltar a utilizar.
- **A emissão de vibrações durante a utilização de uma ferramenta eléctrica pode diferir do valor declarado, dependendo da forma pela qual a ferramenta é usada.** Cumpra as medidas de protecção apropriadas para proteger o operador, com base numa estimativa de exposição durante a utilização real
- **Evite o contacto com os componentes rotativos da ferramenta.** A ferramenta e/ou os acessórios podem continuar a movimentar-se durante alguns instantes depois de terem sido desligados, existindo por isso o risco de ficar preso ou de sofrer outras lesões pessoais.

### Utilização e Manutenção das Ferramentas Mecânicas

- **Não force a ferramenta. Utilize a ferramenta mecânica correcta para o fim pretendido.** A ferramenta mecânica correcta efectuará o trabalho melhor e com mais segurança, à velocidade para a qual foi concebida.
- **Não utilize a ferramenta mecânica se o respectivo interruptor não lhe permitir ligá-la ou desligá-la.** Qualquer ferramenta mecânica que não possa ser controlada pelo respectivo interruptor é perigosa e tem de ser reparada.
- **Desligue a ficha da ferramenta mecânica da tomada de alimentação antes de fazer qualquer ajuste, mudar de acessórios ou guardar a ferramenta.** Estas medidas de prevenção reduzem o risco de a ferramenta começar a funcionar acidentalmente.
- **Conserve as ferramentas que não estejam a ser utilizadas fora do alcance das crianças e não permita que terceiros que não estejam familiarizados com a ferramenta mecânica ou com estas instruções a utilizem.** As ferramentas tornam-se perigosas nas mãos de pessoas que não estão preparadas para as utilizar.
- **Manutenção da Ferramenta Mecânica** Certifique-se existem componentes móveis mal alinhados ou dobrados, quebra de componentes e quaisquer outros problemas que possam afectar o funcionamento da ferramenta mecânica. Se detectar quaisquer danos, mande reparar a ferramenta mecânica antes de utilizar. Muitos acidentes são provocados por ferramentas mecânicas que não foram devidamente mantidas.
- **Mantenha as ferramentas de corte afiadas e limpas.** As ferramentas submetidas a uma manutenção adequada, com arestas de corte afiadas, apresentam menos probabilidades de se prenderem e são controladas mais facilmente. Mantenha as pegas limpas e secas para manter o controlo.
- **Utilize a ferramenta mecânica, os acessórios, as ponteiros, etc. da forma indicada nestas instruções e da maneira prevista para a ferramenta mecânica em causa, tendo em consideração as condições de trabalho e o trabalho a ser realizado.** A utilização da ferramenta mecânica para a realização de trabalhos para os quais não se destina pode dar azo a situações de perigo.
- **Sempre que usar luvas, certifique-se de que as luvas não podem impedir o gatilho de ser libertado.** Podem ocorrer lesões pessoais.
- **Nunca remova quaisquer etiquetas. Substitua sempre as etiquetas danificadas.** As etiquetas contêm informações necessárias à utilização segura do produto.

### Utilização e manutenção das baterias

- **Utilize sempre o carregador indicado pelo fabricante para a recarga das baterias.** Um carregador que é adequado para um tipo de bateria pode causar riscos de incêndio quando é utilizado com outra bateria.
- **Utilize sempre o conjunto de baterias especificamente indicado para a ferramenta mecânica em causa.** A utilização de outro conjunto de baterias pode dar azo a riscos de lesões e de incêndio.
- **Sempre que o conjunto de baterias não estiver a ser utilizado, mantenha-o afastado de outros objectos metálicos, como: cliques, moedas, chaves, pregos, parafusos ou outros objectos metálicos de pequena dimensão que possam estabelecer ligação entre um terminal e o outro.** O curto-circuito dos terminais da bateria pode dar azo a queimaduras ou incêndio.
- **Em condições de utilização incorrectas ou exageradas, pode ser derramado líquido da bateria; evite todo e qualquer contacto com este líquido. Em caso de contacto accidental, lave as partes do corpo afectadas com água abundante. Além disso, se o líquido entrar em contacto com os olhos, consulte imediatamente um médico.** O líquido derramado da bateria pode causar irritações ou queimaduras.
- **Antes de colocar o conjunto de baterias na ferramenta mecânica, certifique-se de que o interruptor está na posição de bloqueio ou na posição desligada.** A colocação do conjunto de baterias na ferramenta mecânica com o interruptor ligado é um convite a acidentes.
- **Desligue o conjunto da bateria da ferramenta ou coloque o interruptor numa posição desligada e bloqueada antes de efectuar ajustamentos ou mudar acessórios.** Estas medidas de prevenção reduzem o risco de a ferramenta começar a funcionar acidentalmente.
- **As ferramentas eléctricas podem sobreaquecer se permanecerem ligadas quando o motor da ferramenta estiver a produzir um esforço excessivo, ou se estiver bloqueado ou impedido de efectuar a rotação por qualquer razão. Desligue a ferramenta se isso ocorrer.** A utilização contínua nestas condições pode provocar aquecimento, fumo ou fogo, e representa um risco de ferimentos pessoais ou danos a bens.
- **Desligue o conjunto da bateria da ferramenta antes de armazenar a ferramenta ou de a colocar numa caixa ou saco. O arranque accidental durante o armazenamento ou o transporte pode provocar várias condições de risco elevado, incluindo o sobreaquecimento da ferramenta.** A utilização não controlada da ferramenta pode provocar várias situações perigosas, incluindo aquecimento, fumo ou fogo.
- **Não bloqueie os orifícios de arrefecimento de ar da caixa, pois poderá provocar um sobreaquecimento da ferramenta.** A utilização da ferramenta nestas condições poderá provocar calor, fumo ou fogo associados a lesões ou danos de propriedade.
- **A ferramenta poderá sobreaquecer durante uma utilização contínua ou outros ciclos de funcionamento exigentes. Interrompa imediatamente o funcionamento e deixe a ferramenta arrefecer se algum componente da ferramenta ficar demasiado quente ao toque ou existir qualquer indicação de fumo do motor.** Se continuar a utilizar a ferramenta sob estas condições, poderá provocar danos na ferramenta e lesões ou danos de propriedade resultantes do calor ou fogo.
- **Interrompa imediatamente a utilização e substitua qualquer bateria que aqueça excessivamente durante a utilização ou proporcione tempos de utilização muito curtos.** Normalmente, estas baterias têm um número elevado de ciclos de carga/descarga, podem ser antigas ou estar danificadas. Se continuar a utilizar uma bateria incapacitada poderá provocar lesões ou danos de propriedade resultantes do calor, fogo ou explosões.

- **Nunca modifique esta ferramenta, nem os dispositivos de protecção e segurança ou os acessórios.** As modificações não autorizadas podem dar origem a choques eléctricos, incêndios ou lesões pessoais.
- **Utilize apenas acessórios recomendados pela Ingersoll Rand para o modelo de ferramenta que está a utilizar.** Os acessórios adequados para uma ferramenta podem ser perigosos quando utilizados com outra ferramenta.
- **Nunca remova quaisquer etiquetas. Substitua sempre as etiquetas danificadas.** As etiquetas contêm informações necessárias à utilização segura do produto.

### Assistência

- **Esta ferramenta mecânica deve ser assistida e reparada por um técnico qualificado, que deverá utilizar exclusivamente peças sobressalentes idênticas às utilizadas na ferramenta.** Só assim fica garantida a segurança da ferramenta mecânica.
- **Sempre que reparar ou manter uma ferramenta, utilize exclusivamente peças sobressalentes originais da Ingersoll Rand e siga todas as Instruções de Manutenção.** A utilização de componentes não autorizados ou o incumprimento das Instruções de Manutenção pode dar origem a risco de choque eléctrico ou lesão.
- **Nunca deite as baterias para o fogo, nem as incinere ou aqueça a temperaturas superiores a 100°C (212°F).** Se não forem manuseadas da forma correcta, as baterias apresentam perigo de incêndio ou de queimadura provocada por produtos químicos.
- **Recicle ou elimine as baterias de forma responsável e em conformidade com todas as normas e os regulamentos aplicáveis (locais, estatais, do país, federais, etc.).** Se a bateria for eliminada de modo incorrecto pode prejudicar o ambiente.



### AVISO

### Regras de Segurança Específicas do Produto

- **Segure na ferramenta pelas pegas isoladas quando estiver a executar uma operação em que a ferramenta de corte possa entrar em contacto com fios eléctricos ocultos.** O contacto com um fio sob tensão também fará com que as partes metálicas expostas da ferramenta fiquem sob tensão, e provocará um choque eléctrico ao operador.
- **Nos modelos reversíveis, verifique a posição do mecanismo de inversão antes de utilizar a ferramenta.** O facto de saber em que direcção ocorre a rotação ajuda a manter o controlo da ferramenta.
- **Utilize só chaves de caixa e acessórios de impacto.** Não utilize acessórios ou chaves de caixa manuais (cromados). Podem quebrar durante a utilização e provocar lesões.
- **Verifique periodicamente a extremidade de accionamento da ferramenta, para se certificar de que o retentor da chave de caixa está a funcionar correctamente e de que as chaves de caixa e as extremidades de accionamento não apresentam um desgaste excessivo.** Qualquer uma destas situações pode fazer com que a chave de caixa saia durante a rotação.
- **As chaves de impacto não são chaves dinamométricas. As ligações que requerem um binário de aperto específico devem ser verificadas com uma chave dinamométrica depois de apertadas com uma chave de impacto.** Os dispositivos de fixação apertados com um binário de aperto incorrecto podem soltar-se e causar lesões.
- **Os gatilhos desprotegidos não podem ser utilizados em situações em que eventuais obstruções possam manter o gatilho na posição de ligado.** Pode não conseguir desligar a ferramenta.
- **Nunca aponte o feixe de luz directamente para os olhos de uma pessoa ou de um animal.** A luz intensa pode causar lesões nos olhos.

### Informações de Segurança do Produto: Bateria

#### Descrição do Produto

Uma bateria é um dispositivo de armazenamento de energia eléctrica utilizado como fonte de alimentação para produtos sem fios da Ingersoll Rand.



### AVISO

#### Advertências Gerais de Segurança da Bateria

- **Avise! Leia todos os avisos de segurança e todas as instruções.** O não cumprimento dos avisos e das instruções pode resultar em choques eléctricos, incêndios e/ou ferimentos graves.
- **Conserva todos os Avisos e instruções para futura referência.**
- **Compete-lhe a si a responsabilidade pela disponibilização destas informações de segurança a todas as pessoas que venham a utilizar este produto.** O incumprimento das normas e dos regulamentos pode dar azo a lesões pessoais.
- **Instale, utilize, inspecione e mantenha sempre este equipamento de acordo com todas as normas e regulamentos aplicáveis (locais, estaduais, nacionais, federais, etc.).** Compete-lhe a si a responsabilidade pelo cumprimento destas normas e destes regulamentos. O incumprimento das normas e dos regulamentos pode dar azo a lesões pessoais.
- O termo "power tool" (ferramenta eléctrica) nas advertências refere-se à sua ferramenta eléctrica (sem fios) operada por bateria.

#### Segurança eléctrica

- **Não expor as baterias ou ferramentas eléctricas à chuva ou condições de humidade.** A entrada de água numa bateria ou ferramenta eléctrica irá aumentar o risco de choque eléctrico.

#### Segurança pessoal

- **Nunca modifique este produto, nem os dispositivos de protecção e segurança ou os acessórios.** As modificações não autorizadas podem dar origem a choques eléctricos, incêndios ou lesões pessoais.

#### Uso e cuidado da Bateria e Ferramenta Eléctrica

- **Armazene as pilhas e as ferramentas eléctricas não usadas fora do alcance das crianças e não permita que pessoas não familiarizadas com a bateria ou ferramenta eléctrica ou estas instruções para operar a bateria ou ferramenta eléctrica.** As pilhas e ferramentas eléctricas são perigosas nas mãos de utilizadores sem formação.
- **Use a bateria, a ferramenta eléctrica, acessórios e peças da ferramenta, etc., em conformidade com estas instruções, tendo em consideração as condições de funcionamento e o trabalho a ser realizado.** O uso da bateria ou ferramenta eléctrica para outras operações que não as previstas pode resultar numa situação perigosa.

- **Recarregar apenas com o carregador especificado pelo fabricante.** Um carregador que possa ser adequado para este tipo de bateria pode criar risco de incêndio quando utilizado com outra bateria. Consultar o manual de Informação do Produto Carregador para advertências adicionais específicas do carregador.
- **Utilize as ferramentas eléctricas apenas com conjuntos de baterias específicos.** O uso de quaisquer outros conjuntos de baterias pode criar risco de ferimentos e incêndio.
- **Sempre que o conjunto de baterias não estiver a ser utilizado, mantenha-o afastado de outros objectos metálicos, como: cliques, moedas, chaves, pregos, parafusos ou outros objectos metálicos de pequena dimensão que possam estabelecer ligação entre um terminal e o outro.** O curto-circuito dos terminais da bateria pode dar azo a faíscas, queimaduras ou incêndio.
- **Sob condições abusivas, pode sair líquido das baterias; evitar o contacto. Se ocorrer um contacto accidental, lave imediatamente com água. Se o líquido entrar em contacto com os olhos, deve também procurar um médico.** O líquido ejectado das baterias pode provocar irritação ou queimaduras.
- **Interrompa imediatamente a utilização e substitua qualquer bateria que aqueça excessivamente durante a utilização ou proporcione tempos de utilização muito curtos.** Normalmente, estas baterias têm um número elevado de ciclos de carga/descarga, podem ser antigas ou estar danificadas. Se continuar a utilizar uma bateria incapacitada poderá provocar lesões ou danos de propriedade resultantes do calor, fogo ou explosão.
- **Nunca remova quaisquer etiquetas. Substitua sempre as etiquetas danificadas.** As etiquetas contêm informações necessárias à utilização segura do produto.
- **Não sujeitar as baterias a choque mecânico.**
- **Não deixar a bateria em carga prolongada quando não em utilização.**
- **Quando possível, desligue a bateria do equipamento quando não estiver a ser utilizada.**
- **Não usar baterias quem estejam fisicamente danificadas.**

#### Assistência

- **Nunca deite as baterias para o fogo, nem as incinere ou aqueça a temperaturas superiores a 100°C (212°F).** Se não forem manuseadas da forma correcta, as baterias apresentam perigo de incêndio ou de queimadura provocada por produtos químicos.
- **Recicle ou elimine as baterias de forma responsável e em conformidade com todas as normas e os regulamentos aplicáveis (locais, estatais, do país, federais, etc.).** Se a bateria for eliminada de modo incorrecto pode prejudicar o ambiente.
- **Não abra a tampa ou a caixa. No interior não existem quaisquer peças que possam ser reparadas pelo utilizador.** Podem ocorrer choques eléctricos ou outras lesões pessoais.

---

## Informações de Segurança do Produto: Carregador de baterias

### Descrição do Produto

Um Carregador de Baterias é um dispositivo eléctrico que converte corrente eléctrica alterna na corrente eléctrica contínua que é utilizada para carregar baterias recarregáveis.

---



**AVISO**

### Regras Gerais de Segurança

- **Leia todas as instruções, certificando-se de que as compreendeu bem.** Se as instruções que se seguem não forem integralmente cumpridas, podem ocorrer choques eléctricos, incêndios e/ou lesões graves.
- **Compete-lhe a si a responsabilidade pela disponibilização destas informações de segurança a todas as pessoas que venham a utilizar este produto.** O incumprimento das normas e dos regulamentos pode dar azo a lesões pessoais.
- **Instale, utilize, inspecione e mantenha sempre este produto de acordo com todas as normas e regulamentos aplicáveis (locais, estaduais, nacionais, federais, etc.).** Compete-lhe a si a responsabilidade pelo cumprimento destas normas e destes regulamentos. O incumprimento das normas e dos regulamentos pode dar azo a lesões pessoais.
- **As crianças deverão ser vigiadas, de forma a assegurar que não utilizam ou brincam com o produto.**
- **Este produto não deve ser utilizado por pessoas com capacidades físicas, sensoriais ou mentais diminuídas ou com falta de experiência e conhecimento, a não ser que estejam a ser vigiadas por uma pessoa responsável pela sua segurança ou que tenham recebido instruções relativas à utilização do produto.**

### Segurança do trabalho área

- **Não utilize o carregador de baterias em atmosferas explosivas, como, por exemplo, em presença de líquidos, gases ou poeiras inflamáveis.** Os carregadores de baterias podem produzir faíscas que podem incendiar poeiras ou gases.

### Segurança Eléctrica

- **Os produtos com duplo isolamento estão equipados com uma ficha polarizada (um pino é mais largo do que o outro.) Esta ficha só pode ser introduzida numa tomada polarizada numa posição. Se a ficha não entrar completamente na tomada, vire-a ao contrário. Se mesmo assim não entrar, entre em contacto com um técnico electricista para instalar uma tomada polarizada. Não altere a ficha de nenhuma forma.** O duplo isolamento elimina a necessidade de um cabo de terra de três fios e um sistema de alimentação ligado à terra.
- **Certifique-se sempre de que não usa indevidamente o cabo.** Nunca utilize o cabo da ferramenta mecânica para a transportar, para a puxar nem para a desligar da tomada, puxando por ele. Mantenha os cabos afastados do calor, do óleo, de arestas afiadas ou de componentes rotativos. Os cabos danificados ou emaranhados aumentam o risco de choque eléctrico.
- **Um produto accionado por bateria, com baterias incorporadas ou com um conjunto de baterias separado, só pode ser recarregado utilizando o carregador especificado para a bateria.** Um carregador que é adequado para um tipo de bateria pode causar riscos de incêndio quando é utilizado com outra bateria.
- **O carregador foi concebido exclusivamente para uma utilização no interior. Não exponha o carregador à chuva. Não utilize o carregador em locais molhados ou húmidos.** Podem ocorrer choques eléctricos ou outras lesões pessoais.
- **Utilize sempre a tensão de alimentação especificada.** Uma tensão incorrecta pode dar origem a choques eléctricos, incêndios, funcionamento irregular e lesões pessoais.

- **Evite o contacto dos terminais de carregamento das baterias com os dedos, fios ou outro material condutor. Ligue este carregador exclusivamente a baterias da Ingersoll Rand aprovadas.** Se não o fizer, podem ocorrer choques eléctricos ou outras lesões pessoais.
- **Não tente recarregar baterias não recarregáveis.** Se o fizer, poderão ocorrer choques eléctricos, incêndios ou lesões pessoais.

### Segurança Pessoal

- **Nunca modifique este produto, nem os dispositivos de protecção e segurança ou os acessórios.** As modificações não autorizadas podem dar origem a choques eléctricos, incêndios ou lesões pessoais.
- **Nunca utilize este produto para fins diferentes daqueles para que é recomendado.** Se o fizer, poderão ocorrer choques eléctricos, incêndios ou lesões pessoais.
- **Coloque o carregador numa posição estável antes de o ligar a uma fonte de alimentação. Mantenha o carregador fora do alcance das crianças.** Uma localização incorrecta ou uma utilização incorrecta por parte de crianças pode dar origem a choques eléctricos, incêndios ou lesões pessoais.

### Utilização e Manutenção

- **Nunca utilize um carregador danificado ou que não esteja a funcionar nas devidas condições. Desligue imediatamente o carregador e proceda à respectiva reparação ou substituição.** A utilização continuada pode dar origem a choques eléctricos, incêndios ou lesões pessoais.
- **Nunca remova quaisquer etiquetas. Substitua sempre as etiquetas danificadas.** As etiquetas contêm informações necessárias à utilização segura do produto.

### Assistência

- **O carregador só pode ser reparado ou mantido por um Centro de Assistência Técnica Autorizado da Ingersoll Rand ou por um técnico similarmente qualificado.** Uma assistência ou manutenção realizada por pessoal não qualificado pode dar azo a riscos ou a lesões.
- **Não abra a tampa ou a caixa. No interior não existem quaisquer peças que possam ser reparadas pelo utilizador.** Se o fizer, podem ocorrer choques eléctricos ou outras lesões pessoais.
- **Se o cabo de alimentação estiver danificado, tem de ser substituído por um Centro de Assistência Técnica Autorizado da Ingersoll Rand ou por um técnico similarmente qualificado.** Os cabos danificados e incorrectamente instalados aumentam o risco de choque eléctrico.

### NOTA

Consulte o manual com as informações do produto para obter informações sobre a segurança específica do modelo.

### Identificação dos Símbolos de Segurança



Risco de explosão.  
Siga todos os procedimentos de segurança para uso.



Use protecção para os olhos



Use protecção auricular



Leia os manuais antes de utilizar o produto



(Desenho 16589525)

### Informação de Segurança – Explicação das Palavras de Aviso de Segurança

<b>PERIGO</b>	Indica uma situação de perigo iminente que, se não for evitada, pode dar azo a morte ou lesões graves.
<b>AVISO</b>	Indica uma situação potencialmente perigosa que, se não for evitada, pode dar azo a morte ou lesões graves.
<b>ATENÇÃO</b>	Indica uma situação potencialmente perigosa que, se não for evitada, pode dar azo a lesões ligeiras a moderadas ou a danos em bens e propriedades.
<b>NOTA</b>	Indica informações ou uma política da companhia que diz directa ou indirectamente respeito à segurança do pessoal ou à protecção da propriedade.

### Informações Sobre as Peças do Produto

#### **ATENÇÃO**

A utilização de peças sobressalentes que não sejam peças sobressalentes originais da Ingersoll Rand pode colocar a segurança em perigo, reduzir o desempenho da ferramenta, aumentar a necessidade de manutenção e invalidar todas as garantias.

As reparações só devem ser feitas por técnicos autorizados e com formação adequada. Consulte o centro de assistência técnica autorizado Ingersoll Rand mais próximo.

As instruções originais estão redigidas na língua inglesa, e encontram-se traduzidas noutros idiomas.

Pode transferir manuais do seguinte endereço da Internet: [ingersollrandproducts.com](http://ingersollrandproducts.com).

Para qualquer assunto, contacte o escritório ou o distribuidor da **Ingersoll Rand** mais próximo.

## Περιγραφή Προϊόντος

Το κρουστικό δραπενοκατάβιδο μπαταρίας είναι ένα ηλεκτρικό εργαλείο χειρός που λειτουργεί με περιστροφικές κρούσεις για το βίδωμα ή το χαλάρισμα σφικτήρων με σπείρωμα μέσω ειδικά σκληρωμένων αποσπώμενων υποδοχών.

### ΠΡΟΕΙΔΟΠΟΙΗΣΗ

#### Γενικοί Κανόνες Ασφάλειας

- **Προειδοποίηση!** Διαβάστε όλες τις οδηγίες. Εάν δεν τηρηθούν όλες οι παρακάτω οδηγίες, ενδέχεται να προκληθεί ηλεκτροπληξία, φωτιά και/ή σοβαρή σωματική βλάβη. Αποθηκεύστε όλες τις Προειδοποιήσεις και τις οδηγίες για μελλοντική αναφορά. Ο όρος "ηλεκτρικό εργαλείο" σε όλες τις προειδοποιήσεις που ακολουθούν αναφέρεται στο ηλεκτρικό σας εργαλείο που τροφοδοτείται από πρίζα ρεύματος (με καλώδιο) ή σε ηλεκτρικό εργαλείο που λειτουργεί με μπαταρία (χωρίς καλώδιο).
- **Η διάθεση αυτών των πληροφοριών ασφάλειας στα άτομα που θα χειριστούν το προϊόν αυτό αποτελεί δική σας ευθύνη.** Η μη τήρηση των προτύπων και των κανονισμών μπορεί να προκαλέσει σωματική βλάβη.
- **Η εγκατάσταση, ο χειρισμός, ο έλεγχος και η συντήρηση του προϊόντος αυτού πρέπει να γίνεται πάντα σύμφωνα με όλα τα ισχύοντα πρότυπα και κανονισμούς (τοπικούς, κρατικούς, ομοσπονδιακούς, κλπ).** Η συμμόρφωση αποτελεί δική σας ευθύνη. Η μη τήρηση των προτύπων και των κανονισμών μπορεί να προκαλέσει σωματική βλάβη.

#### Ασφάλεια χώρου εργασίας

- **Διατηρείτε το χώρο εργασίας σας καθαρό και καλά φωτισμένο.** Οι ακατάστατοι πάγκοι εργασίας και οι σκοτεινοί χώροι αυξάνουν τον κίνδυνο ατυχημάτων.
- **Μη χειρίζεστε ηλεκτρικά εργαλεία σε εκρηκτικές ατμόσφαιρες, όπως παρουσία εύφλεκτων υγρών, αερίων ή σκόνης.** Τα ηλεκτρικά εργαλεία δημιουργούν σπινθήρες που μπορεί να προκαλέσουν ανάφλεξη ή των αναθυμιάσεων.
- **Κρατάτε σε απόσταση παιδιά και τυχόν άλλα άτομα κατά το χειρισμό ηλεκτρικών εργαλείων.** Αν αποσπαστεί ή προσοχή σας μπορεί να χάσετε τον έλεγχο του εργαλείου.
- **Λαμβάνετε υπόψη τους λαθάνοντες, κρυφούς ή άλλους κινδύνους στο περιβάλλον εργασίας σας.** Μην αγιάζετε ή προκαλείτε φθορά σε καλώδια, σωλήνες, αγωγούς ή εύκαμπτους σωλήνες που μπορεί να περιέχουν ηλεκτρικά καλώδια, εκρηκτικά αέρια ή επιβλαβή υγρά. Ενδέχεται να προκληθεί ηλεκτροπληξία, φωτιά ή σωματική βλάβη.

#### Ηλεκτρική Ασφάλεια

- **Τα βύσματα των ηλεκτρικών εργαλείων πρέπει να ταριάζονται με την πρίζα. Μην τροποποιείτε ποτέ και με κανένα τρόπο το βύσμα.** Μη χρησιμοποιείτε προσαρμογείς βυσμάτων με γεωμενικά ηλεκτρικά εργαλεία. Η μη τροποποίηση των βυσμάτων και των αντίστοιχων πριζών μειώνει τον κίνδυνο ηλεκτροπληξίας.
- **Αποφεύγετε τη σωματική επαφή με γειωμένες επιφάνειες, όπως σωλήνες, καλοριφέρ, ηλεκτρικές εστίες και ψυγεία.** Εάν το σώμα σας γειωθεί, υπάρχει αυξημένος κίνδυνος ηλεκτροπληξίας.
- **Μην εκθέτετε τα ηλεκτρικά εργαλεία στη βροχή ή σε υγρό περιβάλλον.** Η εισχώρηση νερού σε ένα ηλεκτρικό εργαλείο αυξάνει τον κίνδυνο ηλεκτροπληξίας.
- **Μην κάνετε κακή χρήση του καλωδίου. Μη χρησιμοποιείτε ποτέ το καλώδιο για να μεταφέρετε, να τραβήξετε ή να αποσυνδέσετε το ηλεκτρικό εργαλείο από την πρίζα. Διατηρείτε το καλώδιο μακριά από θερμότητα, λάδια, αιχμηρές ακμές ή κινούμενα εξαρτήματα.** Τα φαρμαμένα ή μπερδεμένα καλώδια αυξάνουν τον κίνδυνο ηλεκτροπληξίας.
- **Κατά τη λειτουργία ενός ηλεκτρικού εργαλείου σε εξωτερικό χώρο, χρησιμοποιείτε προέκταση καλωδίου κατάλληλη για χρήση σε εξωτερικό χώρο.** Η χρήση καλωδίου που είναι κατάλληλο για εξωτερικό χώρο μειώνει τον κίνδυνο ηλεκτροπληξίας.
- **Εάν δεν είναι δυνατόν να αποφευχθεί η λειτουργία ενός ηλεκτρικού εργαλείου σε υγρή τοποθεσία, χρησιμοποιήστε προστατευμένη παροχή από συσκευή υπολειπόμενου ρεύματος (RCD).** Η χρήση μιας RCD μειώνει τον κίνδυνο ηλεκτροπληξίας.
- **Χρησιμοποιείτε πάντα την τάση τροφοδοσίας που καθορίζεται.** Η εσφαλμένη τάση μπορεί να προκαλέσει ηλεκτροπληξία, φωτιά, μη φυσιολογική λειτουργία και ενδεχομένως σωματική βλάβη.
- **Βεβαιωθείτε ότι όλα τα ηλεκτρικά καλώδια είναι του σωστού μεγέθους και ότι όλα τα βύσματα & οι συνδετήρες είναι σφικτά στερεωμένα.** Η χρήση καλωδίων μικρότερου μεγέθους και οι χαλαρές συνδέσεις μπορεί να προκαλέσουν ηλεκτροπληξία, φωτιά και ενδεχομένως σωματική βλάβη.

#### Προσωπική Ασφάλεια

- **Κατά το χειρισμό ενός ηλεκτρικού εργαλείου, πρέπει να είστε σε ετοιμότητα, να προσέχετε τη κάνετε και να χρησιμοποιείτε κοινή λογική. Μη χρησιμοποιείτε ηλεκτρικά εργαλεία όταν είστε κουρασμένοι ή υπό την επήρεια ναρκωτικών ουσιών, οινόπνευματος ή φαρμάκων.** Μία στιγμιαία απροσεξία κατά το χειρισμό ηλεκτρικών εργαλείων μπορεί να προκαλέσει σοβαρή σωματική βλάβη.
- **Χρησιμοποιείτε εξοπλισμό ασφάλειας. Φοράτε πάντα προστατευτικά ματιών.** Η χρήση εξοπλισμού ασφάλειας, όπως προστατευτική μάσκα για τη σκόνη, αντιποληθικά παπούτσια, κράνος ή προστατευτική ακοή, ανάλογα με τις συνθήκες, μειώνει τον κίνδυνο σωματικής βλάβης.
- **Αποφεύγετε την ενεργοποίηση του εργαλείου κατά λάθος. Βεβαιωθείτε ότι ο διακόπτης είναι κλειστός (off) πριν συνδέσετε το εργαλείο.** Η μεταφορά ηλεκτρικών εργαλείων με το δάχτυλο στο διακόπτη ή η σύνδεση ηλεκτρικών εργαλείων με το διακόπτη ανοικτό (on) αυξάνει τον κίνδυνο ατυχημάτων.
- **Αφαιρείτε τα κλειδιά ρύθμισης ή άλλα κλειδιά πριν ενεργοποιήσετε το ηλεκτρικό εργαλείο.** Σε περίπτωση που ένα κλειδί παραμένει συνδεδεμένο σε ένα περιστρεφόμενο εξάρτημα του ηλεκτρικού εργαλείου, ενδέχεται να προκληθεί σωματική βλάβη.
- **Μην τεντώνετε υπερβολικά το σώμα σας. Διατηρείτε πάντα σωστή στήριξη και ισορροπία.** Με τον τρόπο αυτό, θα έχετε καλύτερο έλεγχο του ηλεκτρικού εργαλείου σε απρόοπτες καταστάσεις.
- **Φοράτε κατάλληλο ρουχισμό. Μη φοράτε φαρδιά ρούχα ή κοσμήματα. Πιάστε τα μακριά μαλλιά. Διατηρείτε τα μαλλιά, τα ρούχα και τα γάντια σας μακριά από κινούμενα εξαρτήματα.** Τα φαρδιά ρούχα, τα κοσμήματα ή τα μακριά μαλλιά μπορεί να πιαστούν σε κινούμενα εξαρτήματα.
- **Εάν υπάρχουν διαθέσιμες συσκευές για τη σύνδεση εγκαταστάσεων αφαίρεσης και συλλογής σκόνης, βεβαιωθείτε ότι είναι συνδεδεμένες και ότι χρησιμοποιούνται σωστά.** Η χρήση των συσκευών αυτών μειώνει τους κινδύνους που προκύπτουν από τη σκόνη.
- **Χρησιμοποιείτε σφικτήρες ή άλλο πρακτικό τρόπο για να ασφαλίσετε και να στρίψετε το αντικείμενο εργασίας σε μία σταθερή πλαφόρμα.** Η συγκράτηση του αντικείμενου με το χέρι ή με τη βοήθεια του σώματός σας είναι ασταθής και ενδέχεται να οδηγήσει σε απώλεια ελέγχου.
- **Αποφεύγετε την εισπνοή και την έκθεση σε επιβλαβή σκόνη και σωματίδια που δημιουργούνται από τη χρήση του ηλεκτρικού εργαλείου.**
  - Η σκόνη που δημιουργείται από τη χρήση ηλεκτρικών εργαλείων για λείανση, πρίονισμα, τρύχισμα, διάτρηση και άλλες κατασκευαστικές εργασίες περιέχει χημικές ουσίες που είναι γνωστό ότι προκαλούν καρκίνο, συγγενείς βλάβες ή άλλες αναπαραγωγικές βλάβες. Ορισμένα παραδείγματα αυτών των χημικών ουσιών είναι:
    - μόλυβδος από βαφές που περιέχουν μόλυβδο,
    - κρυσταλλικό πυρίτιο από τούβλα και τσιμέντο και άλλα υλικά τοιχοποιίας και
    - αρσενικό και χρώμιο από χημικά επεξεργασμένη ξυλεία.

- Ο κίνδυνος που διατρέχετε από την έκθεση στις ουσίες αυτές εξαρτάται από τη συχνότητα με την οποία εκτελείτε εργασίες αυτού του είδους. Για να περιορίσετε την έκθεσή σας σε αυτές τις χημικές ουσίες: εργάζεστε σε καλά αεριζόμενο χώρο και με εγκατερισμένο εξοπλισμό ασφαλείας, όπως προστατευτικές μάσκες για τη σκόνη που είναι ειδικά σχεδιασμένες με φίλτρο συγκράτησης των μικροσκοπικών σωματιδίων.
- **Αν αισθανθείτε δυσφορία, φαγούρα ή πόνο, σταματήστε τη χρήση του εργαλείου.** Οι δονήσεις, οι επαναλαμβανόμενες κινήσεις ή οι άβολοι θέσεις μπορεί να είναι επιβλαβείς για τα χέρια και τους βραχιόνιές σας. Τα ηλεκτρικά εργαλεία δονούνται κατά τη χρήση. Πριν συνεχίσετε τη χρήση, ζητήστε τη συμβουλή ιατρού.
- **Η εκπομπή κραδασμών κατά την πραγματική χρήση του ηλεκτρικού εργαλείου μπορεί να διαφέρει από τη δηλωμένη τιμή, ανάλογα με τους τρόπους που χρησιμοποιείται το εργαλείο.** Λάβετε κατάλληλα μέτρα ασφαλείας για την προστασία του χειριστή, βάσει μιας εκτίμησης της έκθεσης κατά την πραγματική χρήση
- **Αποφύγετε την επαφή με τα κινούμενα εξαρτήματα του εργαλείου.** Το εργαλείο και/ή τα εξαρτήματά του μπορεί να εξακολουθούν να κινούνται για ένα μικρό διάστημα μετά την απενεργοποίησή τους προκαλώντας κίνδυνο εμπλοκής ή σωματικής βλάβης.

### Χρήση και Φροντίδα του Ηλεκτρικού Εργαλείου

- **Μη ζορίζετε το ηλεκτρικό εργαλείο.** Χρησιμοποιείτε το κατάλληλο ηλεκτρικό εργαλείο για την εφαρμογή σας. Με το κατάλληλο εργαλείο, η εργασία εκτελείται καλύτερα και ασφαλέστερα στο βαθμό για τον οποίο σχεδιάστηκε.
- **Μη χρησιμοποιείτε το ηλεκτρικό εργαλείο αν ο διακόπτης δεν το ενεργοποιεί ή δεν το απενεργοποιεί.** Οποιοδήποτε ηλεκτρικό εργαλείο δεν ελέγχεται από το διακόπτη, είναι επικίνδυνο και πρέπει να επισκευστείται.
- **Πριν από οποιοδήποτε ρυθμίσεις, αλλαγές εξαρτημάτων ή αποθήκευση του ηλεκτρικού εργαλείου, αποσυνδέστε το βύσμα από την ηλεκτρική τροφοδοσία.** Αυτά τα προληπτικά μέτρα προστασίας περιορίζουν τον κίνδυνο τυχαίας ενεργοποίησης του εργαλείου.
- **Φυλάσσετε τα ηλεκτρικά εργαλεία που δεν χρησιμοποιείτε μακριά από παιδιά και μην επιτρέπεται να χρησιμοποιούν τα εργαλεία άτομα τα οποία δεν γνωρίζουν τον τρόπο χρήσης τους ή τις συγκεκριμένες οδηγίες.** Τα εργαλεία είναι επικίνδυνα όταν χρησιμοποιούνται από μη εκπαιδευμένους χρήστες.
- **Συντηρείτε τα ηλεκτρικά εργαλεία.** Ελέγχετε για ενδείξεις κακής ευθυγράμμισης ή εμπλοκής των κινούμενων εξαρτημάτων, θραύσης τμημάτων καθώς και οποιασδήποτε άλλης κατάστασης που μπορεί να επηρεάσει τη λειτουργία του εργαλείου. **Αν εντοπισθεί βλάβη, το εργαλείο πρέπει να επισκευαστεί πριν από τη χρήση.** Πολλά ατυχήματα οφείλονται σε κακή συντήρηση των ηλεκτρικών εργαλείων.
- **Διατηρείτε τα εργαλεία κοπής αιχμηρά και καθαρά.** Τα κατάλληλα συντηρημένα εργαλεία με αιχμηρά άκρα κοπής δεν μπλοκάρουν και ελέγχονται ευκολότερα. Διατηρείτε τις λαβές καθαρές και στεγνές για καλύτερο έλεγχο.
- **Χρησιμοποιείτε το ηλεκτρικό εργαλείο, τα εξαρτήματα, τα τρυπάνια του εργαλείου κλπ., σύμφωνα με τις οδηγίες και με τον συνιστώμενο τρόπο για το συγκεκριμένο τύπο του εκάστοτε ηλεκτρικού εργαλείου, λαμβάνοντας υπόψη σας τις συνθήκες εργασίας και το είδος της εργασίας που πρόκειται να διεξαχθεί.** Εάν χρησιμοποιείτε το ηλεκτρικό εργαλείο για εργασίες διαφορετικές από εκείνες για τις οποίες έχει σχεδιασθεί, ενδέχεται να προκληθεί σοβαρός κίνδυνος.
- **Όταν φοράτε γάντια, φροντίστε να βεβαιώνεται πάντα ότι τα γάντια δεν εμποδίζουν την απελευθέρωση του μηχανισμού ρύθμισης ταχύτητας.** Ενδέχεται να προκληθεί σωματική βλάβη.
- **Μην αφαιρείτε τις ετικέτες. Αντικαθιστάτε τις φαρμαρμένες ετικέτες.** Οι ετικέτες παρέχουν σημαντικές πληροφορίες για την ασφαλή χρήση του προϊόντος

### Χρήση και φροντίδα της μπαταρίας

- **Η επαναφόρτιση πρέπει να διεξάγεται μόνο με το φορτιστή που συνιστά ο κατασκευαστής.** Ένας φορτιστής που μπορεί να είναι κατάλληλος για έναν τύπο μπαταρίας μπορεί να προκαλέσει κίνδυνο φωτιάς όταν χρησιμοποιηθεί για άλλη μπαταρία.
- **Χρησιμοποιείτε τα ηλεκτρικά εργαλεία μόνο με το ειδικό καθορισμένο πακέτο μπαταριών.** Η χρήση πακέτου μπαταριών διαφορετικού τύπου μπορεί να προκαλέσει κίνδυνο φωτιάς και σωματικής βλάβης.
- **Όταν το πακέτο μπαταριών δεν χρησιμοποιείται, διατηρήστε το μακριά από μεταλλικά αντικείμενα όπως: συνδετήρες, νομίσματα, κλειδιά, καρφιά, βίδες ή άλλα μικρά μεταλλικά αντικείμενα που μπορούν να δημιουργήσουν σύνδεση μεταξύ των δύο πόλων.** Το βραχυκύκλωμα των πόλων της μπαταρίας μπορεί να προκαλέσει εγκαύματα ή φωτιά.
- **Εάν σε συνθήκες κακής χρήσης εκτιναχθεί υγρό από την μπαταρία, αποφύγετε την επαφή. Σε περίπτωση τυχαίας επαφής, ξεπλύνετε με άφθονο νερό.** Εάν το υγρό έρθει σε επαφή με τα μάτια, αναζητήστε ιατρική βοήθεια. Το υγρό που εκτινάσσεται από την μπαταρία μπορεί να προκαλέσει ερεθισμούς ή εγκαύματα.
- **Βεβαιωθείτε ότι ο διακόπτης είναι κλειστός (off) πριν τοποθετήσετε το πακέτο μπαταριών.** Εάν τοποθετήσετε το πακέτο μπαταριών στο ηλεκτρικό εργαλείο έχοντας ανοιχτό το διακόπτη (on), αυξάνεται ο κίνδυνος ατυχημάτων.
- **Πριν από τυχόν ρυθμίσεις ή αλλαγές εξαρτημάτων, αποσυνδέστε το πακέτο μπαταριών από το εργαλείο ή μετακινήστε το διακόπτη σε θέση κλειδώματος.** Αυτά τα προληπτικά μέτρα προστασίας περιορίζουν τον κίνδυνο τυχαίας ενεργοποίησης του εργαλείου.
- **Τα ηλεκτρικά εργαλεία υπερθερμαίνονται όταν παραμένουν σε λειτουργία ενώ είναι υπερφορτισμένο, έχει παρουσιαστεί εμπλοκή ή εμποδίζεται η περιστροφή του με άλλο τρόπο.** Στην περίπτωση αυτή, απενεργοποιήστε το εργαλείο. Σε περίπτωση που δεν διακοπεί η παροχή ισχύος στο εργαλείο υπό αυτές τις συνθήκες, μπορεί να προκληθεί υπερθέρμανση, καπνός ή φωτιά με αποτέλεσμα την πρόκληση τραυματισμού ή υλικών ζημιών.
- **Πριν αποθηκεύσετε το εργαλείο ή το τοποθετήσετε σε κουτί εργαλείων ή σε τσάντα μεταφοράς, αποσυνδέστε το πακέτο μπαταριών.** Σε περίπτωση που το εργαλείο ενεργοποιηθεί ακούσια κατά την αποθήκευση ή τη μεταφορά, ενδέχεται να προκληθούν επικίνδυνες καταστάσεις, όπως υπερθέρμανση του εργαλείου. Με την ανεξέλεγκτη λειτουργία του εργαλείου ενδέχεται να προκληθούν διάφοροι κίνδυνοι, όπως υπερθέρμανση, καπνός ή φωτιά.
- **Μη φράζετε τις οπές αέρα ψύξης του περιβάλλοντος, καθώς ενδέχεται να προκληθεί υπερθέρμανση του εργαλείου.** Αν το εργαλείο χρησιμοποιείται με αυτόν τον τρόπο μπορεί να προκληθεί θερμότητα, καπνός ή φωτιά και κατά συνέπεια τραυματισμός ή υλικές ζημιές.
- **Το εργαλείο ενδέχεται να υπερθερμανθεί κατά τη διάρκεια συνεχούς χρήσης ή άλλων μεγάλων κύκλων εργασίας. Διακόψτε αμέσως τη λειτουργία και αφήστε το εργαλείο να κρυώσει, αν κάποιο τμήμα του υπερθερμανθεί τόσο πολύ, ώστε να μην μπορείτε να το αγγίξετε, ή αν υπάρχει ένδειξη καπνού από τον κινητήρα.** Αν συνεχίσετε να χρησιμοποιείτε το εργαλείο υπό αυτές τις συνθήκες θα προκληθεί βλάβη στο εργαλείο, η οποία μπορεί να οδηγήσει σε τραυματισμό ή υλικές ζημιές λόγω θερμότητας ή φωτιάς.
- **Διακόψτε αμέσως τη χρήση και αντικαταστήστε τις μπαταρίες που ενδεχομένως να έχουν υπερθερμανθεί κατά τη διάρκεια της χρήσης ή λειτουργούν για πολύ μικρά χρονικά διαστήματα.** Οι μπαταρίες αυτές έχουν συνήθως υπερβληθεί σε πολλούς κύκλους φόρτισης /εκφόρτισης ή ενδοχόμενως είναι παλιές ή κατεστραμμένες. Αν συνεχίσετε να χρησιμοποιείτε μια αδύναμη μπαταρία μπορεί να προκληθεί τραυματισμός ή υλικές ζημιές λόγω θερμότητας, φωτιάς ή έκρηξης.
- **Μην τροποποιείτε το εργαλείο αυτό, τις συσκευές ασφαλείας ή τα εξαρτήματα.** Οι μη εξουσιοδοτημένες τροποποιήσεις μπορεί να προκαλέσουν ηλεκτροπληξία, φωτιά ή σωματική βλάβη.
- **Χρησιμοποιείτε για το μοντέλο σας μόνο τα εξαρτήματα που συνιστώνται από την Ingersoll Rand.** Εξαρτήματα που μπορεί να είναι κατάλληλα για ένα εργαλείο ενδέχεται να είναι επικίνδυνα όταν χρησιμοποιούνται με ένα άλλο.
- **Μην αφαιρείτε τις ετικέτες. Αντικαθιστάτε τις φαρμαρμένες ετικέτες.** Οι ετικέτες παρέχουν σημαντικές πληροφορίες για την ασφαλή χρήση του προϊόντος

## Συντήρηση

- Φροντίστε ώστε η συντήρηση του ηλεκτρικού εργαλείου να εκτελείται μόνο από καταρτισμένο προσωπικό χρησιμοποιώντας μόνο ίδια ανταλλακτικά. Με τον τρόπο αυτό επιτυγχάνεται η ασφαλής λειτουργία του ηλεκτρικού εργαλείου.
- Κατά τη συντήρηση ενός εργαλείου, χρησιμοποιείται μόνο γνήσια ανταλλακτικά της Ingersoll Rand και τηρείτε όλες τις Οδηγίες Συντήρησης. Η χρήση μη εγκεκριμένων εξαρτημάτων ή η μη τήρηση των Οδηγιών Συντήρησης μπορεί να προκαλέσει κίνδυνο ηλεκτροπληξίας ή σωματικής βλάβης.
- Μην απορρίπτετε τις μπαταρίες στη φωτιά, μην τις αποθεφώνετε και μην τις θερμαίνετε σε θερμοκρασίες άνω των 100°C (212°F). Η κακή μεταχείριση των μπαταριών συνιστά κίνδυνο φωτιάς ή εγκαύματος από χημικές ουσίες.
- Η ανακύκλωση ή η απόρριψη των μπαταριών πρέπει να γίνεται σύμφωνα με όλα τα ισχύοντα πρότυπα και κανονισμούς (τοπικούς, κρατικούς, ομοσπονδιακούς, κλπ). Η απόρριψή τους με ακατάλληλο τρόπο ενδέχεται να αποτελέσει κίνδυνο για το περιβάλλον.

## ΠΡΟΕΙΔΟΠΟΙΗΣΗ

### Ειδικό Κανόνες Ασφάλειας Προϊόντος

- Κρατάτε το εργαλείο από τις μονωμένες λαβές κατά την εκτέλεση εργασίας στην οποία το εργαλείο κοπής ενδέχεται να έρθει σε επαφή με κρυμμένα καλώδια. Η επαφή με ηλεκτροφόρο καλώδιο καθιστά ηλεκτροφόρο και τα εκτεθειμένα μεταλλικά μέρη του εργαλείου με συνέπεια την πρόκληση ηλεκτροπληξίας στο χειριστή.
- Σε αναστροφικά μοντέλα, σημειώστε τη θέση του μηχανισμού αναστροφής πριν από τη λειτουργία. Γνωρίζοντας την κατεύθυνση περιστροφής, μπορείτε να διατηρήσετε καλύτερα τον έλεγχο του εργαλείου.
- Χρησιμοποιείτε μόνο κρουστικές υποδοχές (καρδύακια) και εξαρτήματα. Μη χρησιμοποιείτε υποδοχές ή εξαρτήματα χειρός (χρωμίου). Μπορεί να σπάσουν κατά τη χρήση και να προκαλέσουν σωματική βλάβη.
- Ελέγχετε ανά τακτά διαστήματα το άκρο οδήγησης του εργαλείου για να βεβαιωθείτε ότι ο συγκρατητήρας υποδοχής λειτουργεί σωστά και ότι οι υποδοχές και τα άκρα οδήγησης δεν έχουν υποστεί σοβαρή φθορά. Και οι δύο αυτές περιπτώσεις ενδέχεται να προκαλέσουν την απόσπαση της υποδοχής κατά την περιστροφή.
- Τα κρουστικά δραπενοκατάβιδα δεν είναι δυναμικλειδιά. Οι συνδέσεις που απαιτούν συγκεκριμένη ροπή σύφινης πρέπει να ελέγχονται με ροπόμετρο προσαρμοσμένο σε ένα κρουστικό δραπενοκατάβιδο. Οι σφιγκτήρες που σφίγγονται σε λανθασμένη ροπή ενδέχεται να χαλαρώσουν και να προκαλέσουν σωματική βλάβη.
- Οι εκτεθειμένοι ρυθμιωτές ταχύτητας δεν πρέπει να χρησιμοποιούνται στις περιπτώσεις όπου εμπόδια μπορεί να συγκρατηθούν ρυθμιστή ταχύτητας στη θέση «ενεργοποίησης» (on). Ενδέχεται να μην μπορείτε να απενεργοποιήσετε το εργαλείο.
- Μη στρέψετε τη δέσμη φωτός στα μάτια ανθρώπων ή ζώων. Το δυνατό φως μπορεί να προκαλέσει βλάβη στα μάτια.

## Πληροφορίες ασφαλείας προϊόντος: Μπαταρία

### Περιγραφή προϊόντος

Η Μπαταρία είναι μία συσκευή συσσώρευσης ηλεκτρισμού που χρησιμοποιείται ως πηγή ισχύος για Προϊόντα Μπαταρίας της Ingersoll Rand.

## ΠΡΟΕΙΔΟΠΟΙΗΣΗ

### Γενικές προειδοποιήσεις ασφαλείας για μπαταρίες

- Προειδοποίηση! Διαβάστε όλες τις προειδοποιήσεις ασφαλείας και όλες τις οδηγίες. Η μη τήρηση των προειδοποιήσεων και των οδηγιών μπορεί να οδηγήσει σε ηλεκτροπληξία, πυρκαγιά και / ή σοβαρό τραυματισμό.
- Αποθηκεύστε όλες τις Προειδοποιήσεις και τις οδηγίες για μελλοντική αναφορά.
- Η διάθεση αυτών των πληροφοριών ασφαλείας στα άτομα που θα χειριστούν το προϊόν αποτελεί δική σας ευθύνη. Η μη τήρηση των προτύπων και των κανονισμών μπορεί να προκαλέσει σωματική βλάβη.
- Η εγκατάσταση, ο χειρισμός, ο έλεγχος και η συντήρηση του προϊόντος πρέπει να γίνονται πάντα σύμφωνα με τα ισχύοντα πρότυπα και κανονισμούς (τοπικούς, κρατικούς, ομοσπονδιακούς, κλπ). Η συμμόρφωση αποτελεί δική σας ευθύνη. Η μη τήρηση των προτύπων και των κανονισμών μπορεί να προκαλέσει σωματική βλάβη.
- Ο όρος "ηλεκτρικό εργαλείο" στις προειδοποιήσεις αναφέρεται στο ηλεκτρικό εργαλείο το οποίο λειτουργεί με μπαταρίες και δεν έχει καλώδια.

### Ηλεκτρική ασφάλεια

- Μην εκθέτετε τις μπαταρίες ή τα ηλεκτρικά εργαλεία στη βροχή ή σε συνθήκες υγρασίας. Η εισχώρηση νερού στην μπαταρία ή στο ηλεκτρικό εργαλείο αυξάνει τον κίνδυνο ηλεκτροπληξίας.

### Προσωπική ασφάλεια

- Μην τροποποιείτε το παρόν προϊόν, τις διατάξεις ασφαλείας ή τα εξαρτήματα. Οι μη εξουσιοδοτημένες τροποποιήσεις μπορεί να προκαλέσουν ηλεκτροπληξία, φωτιά ή σωματική βλάβη.

### Χρήση και φροντίδα μπαταριών και ηλεκτρικού εργαλείου

- Φυλάσσετε τις μπαταρίες και τα ηλεκτρικά εργαλεία που δεν χρησιμοποιείτε μακριά από παιδιά και μην επιτρέπετε σε άτομα που δεν είναι εξοικειωμένα με την μπαταρία ή το ηλεκτρικό εργαλείο ή αυτές τις οδηγίες να χρησιμοποιούν την μπαταρία ή το ηλεκτρικό εργαλείο. Οι μπαταρίες και τα ηλεκτρικά εργαλεία είναι επικίνδυνα στα χέρια ατόμων που δεν έχουν εκπαιδευτεί στη χρήση τους.
- Χρησιμοποιείτε την μπαταρία, το ηλεκτρικό εργαλείο, τα αξεσουάρ και οι ανταλλακτικές μύτες του εργαλείου κλπ. σύμφωνα με τις οδηγίες και λαμβάνοντας υπόψη τις συνθήκες εργασίας και την εργασία για την οποία θα χρησιμοποιηθούν. Η χρήση της μπαταρίας ή του ηλεκτρικού εργαλείου για άλλη εφαρμογή εκτός από εκείνη για την οποία προορίζονται ενδέχεται να σας θέσει σε κίνδυνο.
- Η αναφόρτιση πρέπει να γίνεται αποκλειστικά με το φορτιστή που έχει ορίσει ο κατασκευαστής. Ένας φορτιστής που είναι κατάλληλος για έναν τύπο μπαταρίας μπορεί να προκαλέσει φωτιά εάν χρησιμοποιηθεί με άλλο τύπο μπαταρίας. Για περισσότερες προειδοποιήσεις σχετικά με το φορτιστή, συμβουλευτείτε το Εγχειρίδιο πληροφοριών φορτιστή.
- Χρησιμοποιείτε τα ηλεκτρικά εργαλεία μόνο με τον ενδεδειγμένο τύπο μπαταριών. Η χρήση άλλων τύπων μπαταριών μπορεί να οδηγήσει σε τραυματισμό και σε φωτιά.
- Όταν το πακέτο μπαταριών δεν χρησιμοποιείται, διατηρείτε το μακριά από μεταλλικά αντικείμενα όπως: συνδετήρες, νομισμάτα, κλειδιά, καρφιά, βίδες ή άλλα μικρά μεταλλικά αντικείμενα που μπορούν να δημιουργήσουν σύνδεση μεταξύ των δύο ακροδεκτών. Το βραχυκύκλωμα των ακροδεκτών της μπαταρίας μπορεί να προκαλέσει σπινθήρες, εγκαύματα ή φωτιά.
- Σε συνθήκες κακής χρήσης μπορεί να εκτιναχθεί υγρό από την μπαταρία. Στην περίπτωση αυτή αποφεύγετε κάθε επαφή. Σε περίπτωση ακούσιας επαφής, ξεπλύνετε με νερό. Εάν το υγρό της μπαταρίας έρθει σε επαφή με τα μάτια, ζητήστε ιατρική συμβουλή. Το υγρό που εκτινάσσεται από την μπαταρία μπορεί να προκαλέσει ερεθισμό ή εγκαύματα.

- **Διακόψτε αμέσως τη χρήση και αντικαταστήστε τις μπαταρίες που ενδεχομένως να έχουν υπερθερμανθεί κατά τη διάρκεια της χρήσης ή λειτουργούν για πολύ μικρά χρονικά διαστήματα.** Οι μπαταρίες αυτές έχουν συνήθως υποβληθεί σε πολλούς κύκλους φόρτισης /εκφόρτισης ή ενδεχομένως είναι παλιές ή κατεστραμμένες. Αν συνεχίσετε να χρησιμοποιείτε μια αδύναμη μπαταρία μπορεί να προκληθεί τραυματισμός ή υλικές ζημιές λόγω θερμότητας, φωτιάς ή έκρηξης.
- **Μην αφαιρείτε τις ετικέτες. Αντικαταστήστε τυχόν φθαρμένες ετικέτες.** Οι ετικέτες παρέχουν σημαντικές πληροφορίες για την ασφαλή χρήση του προϊόντος.
- **Μην υποβάλλετε τις μπαταρίες σε μηχανική καταπόνηση.**
- **Μην αφήνετε την μπαταρία σε παρατεταμένη φόρτιση όταν δεν χρησιμοποιείται.**
- **Όπου είναι εφικτό, αφαιρέστε την μπαταρία από τον εξοπλισμό όταν δεν χρησιμοποιείται.**
- **Μην χρησιμοποιείτε μπαταρίες που έχουν υποστεί φθορές.**

#### Συντήρηση

- **Μην απορρίπτετε τις μπαταρίες στη φωτιά, μην τις αποτεφρώνετε και μην τις θερμαίνετε σε θερμοκρασίες άνω των 100°C (212°F).** Η κακή μεταχείριση των μπαταριών συνιστά κίνδυνο φωτιάς ή εγκαυματος από χημικές ουσίες.
- **Η ανακύκλωση ή η απόρριψη των μπαταριών πρέπει να γίνεται σύμφωνα με όλα τα ισχύοντα πρότυπα και κανονισμούς (τοπικούς, κρατικούς, ομοσπονδιακούς, κλπ).** Η απόρριψή τους με ακατάλληλο τρόπο ενδέχεται να αποτελέσει κίνδυνο για το περιβάλλον.
- **Μην ανοίγετε το κάλυμμα ή τη θήκη. Δεν υπάρχουν εξαρτήματα που μπορούν να συντηρηθούν από το χρήστη.** Ενδέχεται να προκληθεί ηλεκτροπληξία ή σωματική βλάβη.

## Πληροφορίες ασφάλειας προϊόντος: Φορτιστής μπαταρίας

### Περιγραφή προϊόντος

Ο Φορτιστής Μπαταρίας είναι μία ηλεκτρική συσκευή που μετατρέπει το εναλλασσόμενο ηλεκτρικό ρεύμα σε συνεχές ηλεκτρικό ρεύμα το οποίο χρησιμοποιείται για τη φόρτιση επαναφορτιζόμενων μπαταριών.

### ΠΡΟΕΙΔΟΠΟΙΗΣΗ

#### Γενικοί Κανόνες Ασφάλειας

- **Διαβάστε και κατανοήστε όλες τις οδηγίες.** Εάν δεν τηρηθούν όλες οι παρακάτω οδηγίες, ενδέχεται να προκληθεί ηλεκτροπληξία, φωτιά και/ή σοβαρή σωματική βλάβη.
- **Η διάθεση αυτών των πληροφοριών ασφάλειας στα άτομα που θα χειριστούν το προϊόν αυτό αποτελεί δική σας ευθύνη.** Η μη τήρηση των προτύπων και των κανονισμών μπορεί να προκαλέσει σωματική βλάβη.
- **Η εγκατάσταση, ο χειρισμός, ο έλεγχος και η συντήρηση του προϊόντος αυτού πρέπει να γίνεται πάντα σύμφωνα με όλα τα ισχύοντα πρότυπα και κανονισμούς (τοπικούς, κρατικούς, ομοσπονδιακούς, κλπ).** Η συμμόρφωση αποτελεί δική σας ευθύνη. Η μη τήρηση των προτύπων και των κανονισμών μπορεί να προκαλέσει σωματική βλάβη.
- **Τα παιδιά θα πρέπει να επιτηρούνται ώστε να εξασφαλιστεί ότι δεν χρησιμοποιούν ούτε παίζουν με αυτό το προϊόν.**
- **Αυτό το προϊόν δεν προορίζεται για χρήση από άτομα με μειωμένες σωματικές, αισθητήριες ή διανοητικές ικανότητες, αλλά ούτε με έλλειψη πείρας και γνώσης, εκτός εάν επιτηρούνται ή τους έχουν δοθεί οδηγίες σχετικά με τη χρήση της συσκευής από άτομο που είναι υπεύθυνο για την ασφάλειά τους.**

#### Ασφάλεια χώρου εργασίας

- **Μη χειρίζεστε το φορτιστή μπαταρίας σε εκρηκτικές ατμόσφαιρες, όπως παρουσία εύφλεκτων υγρών, αερίων ή σκόνης.** Ο φορτιστής μπαταρίας μπορεί να δημιουργήσει σπινθήρες που ενδέχεται να προκαλέσουν ανάφλεξη της σκόνης ή των αναθυμιάσεων.

#### Ηλεκτρική Ασφάλεια

- **Τα προϊόντα διπλής μόνωσης διαθέτουν πολωμένο βύσμα (η μία λεπίδα έχει μεγαλύτερο πλάτος από την άλλη). Το βύσμα αυτό μπορεί να εισαχθεί σε μία πολωμένη έξοδο (πρίζα) μόνο με έναν τρόπο. Αν το βύσμα δεν εφαρμόζει απόλυτα στην έξοδο, αντιστρέψτε το βύσμα. Αν και πάλι δεν εφαρμόζει, καλέστε έναν ειδικευμένο ηλεκτρολόγο για την εγκατάσταση πολωμένης εξόδου. Μην τροποποιείτε το βύσμα με κανένα τρόπο.** Η διπλή μόνωση εξαιλεί την ανάγκη χρήσης γειωμένου καλωδίου τριών συρμάτων και γειωμένου συστήματος παροχής ρεύματος.
- **Μην κάνετε κακή χρήση του καλωδίου. Μη χρησιμοποιείτε ποτέ το καλώδιο για να μεταφέρετε, να τραβήξετε ή να αποσυνδέσετε το ηλεκτρικό εργαλείο από την πρίζα. Διατηρείτε το καλώδιο μακριά από θερμότητα, λάδια, αιχμηρές ακμές ή κινούμενα εξαρτήματα.** Τα φθαρμένα ή μπερδεμένα καλώδια αυξάνουν τον κίνδυνο ηλεκτροπληξίας.
- **Ένα προϊόν με μπαταρία το οποίο διαθέτει ενσωματωμένες μπαταρίες ή εξωτερικό πακέτο μπαταριών πρέπει να επαναφορτίζεται μόνο με τον ειδικό φορτιστή για τη μπαταρία.** Ένας φορτιστής που μπορεί να είναι κατάλληλος για έναν τύπο μπαταρίας μπορεί να προκαλέσει κίνδυνο φωτιάς όταν χρησιμοποιηθεί για άλλη μπαταρία.
- **Ο φορτιστής προορίζεται για χρήση σε εσωτερικό χώρο μόνο. Ο φορτιστής δεν πρέπει να εκτίθεται στη βροχή.** Μη χρησιμοποιείτε το φορτιστή σε περιοχές με υγρασία. Ενδέχεται να προκληθεί ηλεκτροπληξία ή σωματική βλάβη.
- **Χρησιμοποιείτε πάντα την τάση τροφοδοσίας που καθορίζεται.** Λανθασμένη τάση μπορεί να προκαλέσει ηλεκτροπληξία, φωτιά, μη φυσιολογική λειτουργία και ενδεχομένως σωματική βλάβη.
- **Μην αγνίζετε με τα δάχτυλά σας τους ακροδέκτες φόρτισης της μπαταρίας, το σύρμα ή άλλο αγώγιμο υλικό. Συνδέετε μόνο συγκεκριμένες μπαταρίες Ingersoll Rand.** Ενδέχεται να προκληθεί ηλεκτροπληξία ή σωματική βλάβη.
- **Μην επιχειρείτε να επαναφορτίσετε μη επαναφορτιζόμενες μπαταρίες.** Ενδέχεται να προκληθεί ηλεκτροπληξία, φωτιά ή σωματική βλάβη.

#### Προσωπική Ασφάλεια

- **Μην τροποποιείτε το παρόν προϊόν, τις διατάξεις ασφάλειας ή τα εξαρτήματα.** Οι μη εξουσιοδοτημένες τροποποιήσεις μπορεί να προκαλέσουν ηλεκτροπληξία, φωτιά ή σωματική βλάβη.
- **Μην χρησιμοποιείτε το παρόν προϊόν για άλλους σκοπούς εκτός από τους συνιστούμενους.** Ενδέχεται να προκληθεί ηλεκτροπληξία, φωτιά ή σωματική βλάβη.
- **Τοποθετήστε το φορτιστή σε σταθερή θέση πριν τον συνδέσετε σε μία πηγή παροχής ρεύματος. Φυλάσσετε το φορτιστή μακριά από παιδιά.** Η ακατάλληλη φύλαξη ή η χρήση από παιδιά μπορεί να προκαλέσει ηλεκτροπληξία, φωτιά ή σωματική βλάβη.

#### Χρήση και Φροντίδα

- **Μη χρησιμοποιείτε ποτέ φορτιστή που εμφανίζει βλάβη ή δυσλειτουργία. Αποσυνδέστε αμέσως και επισκευάστε ή αντικαταστήστε το φορτιστή.** Αν συνεχίσετε να τον χρησιμοποιείτε μπορεί να προκληθεί ηλεκτροπληξία, πυρκαγιά, ή τραυματισμός.
- **Μην αφαιρείτε τις ετικέτες. Αντικαταστήστε τις φθαρμένες ετικέτες.** Οι ετικέτες παρέχουν σημαντικές πληροφορίες για την ασφαλή χρήση του προϊόντος.

**Συντήρηση**

- Η συντήρηση πρέπει να εκτελείται μόνο από Εξουσιοδοτημένο Κέντρο Σέρβις της Ingersoll Rand ή από ανάλογα καταρτισμένο προσωπικό συντήρησης. Η συντήρηση που εκτελείται από μη καταρτισμένο προσωπικό μπορεί να προκαλέσει κίνδυνο τραυματισμού.
- **Μην ανοίγετε το κάλυμμα ή τη θήκη. Δεν υπάρχουν εξαρτήματα που μπορούν να επισκευαστούν από το χρήστη.** Ενδέχεται να προκληθεί ηλεκτροπληξία ή σωματική βλάβη.
- **Εάν το καλώδιο παροχής ρεύματος καταστραφεί, πρέπει να αντικατασταθεί μόνο από Εξουσιοδοτημένο Κέντρο Σέρβις της Ingersoll Rand ή από ανάλογα καταρτισμένο προσωπικό συντήρησης.** Τα φαρμαμένα καλώδια ή τα καλώδια που δεν έχουν τοποθετηθεί σωστά αυξάνουν τον κίνδυνο ηλεκτροπληξίας.

**ΣΗΜΕΙΩΣΗ**

Ανατρέξτε στο Εγχειρίδιο πληροφοριών προϊόντος για πληροφορίες ασφαλείας σχετικά με το μοντέλο.

**Αναγνώριση Συμβόλων Ασφαλείας**

Κίνδυνος Έκρηξης.

Τηρείτε όλες τις διαδικασίες ασφαλείας κατά τη χρήση.



Φοράτε

προστατευτικάματιών



Φοράτε

προστατευτικά ακοής



Διαβάστε τα εγχειρίδια προτού Φέσετε σε λειτουργία το προϊόν



(Σχ. 16589525)

**Πληροφορίες Ασφαλείας - Επεξήγηση των Λέξεων των Σημάτων Ασφαλείας****⚠ ΚΙΝΔΥΝΟΣ**

Δηλώνει μία άμεσα επικίνδυνη κατάσταση η οποία, αν δεν αποτραπεί, θα προκαλέσει θάνατο ή σοβαρό τραυματισμό.

**⚠ ΠΡΟΕΙΔΟΠΟΙΗΣΗ**

Δηλώνει ενδεχόμενη επικίνδυνη κατάσταση η οποία, αν δεν αποτραπεί, θα μπορούσε να προκαλέσει θάνατο ή σοβαρό τραυματισμό.

**⚠ ΠΡΟΣΟΧΗ**

Δηλώνει ενδεχόμενη επικίνδυνη κατάσταση η οποία, αν δεν αποτραπεί, ενδέχεται να προκαλέσει ελαφρό ή μέτριο τραυματισμό ή υλικές ζημιές.

**ΣΗΜΕΙΩΣΗ**

Δηλώνει πληροφορίες ή μια πολιτική της εταιρίας που σχετίζεται άμεσα ή έμμεσα με την ασφάλεια του προσωπικού ή την προστασία της ιδιοκτησίας.

**Πληροφορίες Εξαρτημάτων Προϊόντος****⚠ ΠΡΟΣΟΧΗ**

Η χρήση μη γνήσιων ανταλλακτικών της Ingersoll Rand μπορεί να δημιουργήσει κινδύνους ασφαλείας, μειωμένη απόδοση του εργαλείου και αυξημένες απαιτήσεις συντήρησης και ενδέχεται να ακυρώσει όλες τις εγγυήσεις.

Οι επισκευές πρέπει να εκτελούνται μόνο από εξουσιοδοτημένο και εκπαιδευμένο προσωπικό. Συμβουλευτείτε το πλησιέστερο εξουσιοδοτημένο Κέντρο Συντήρησης της Ingersoll Rand.

Οι πρωτότυπες οδηγίες είναι στα αγγλικά. Οι άλλες γλώσσες είναι μετάφραση των πρωτότυπων οδηγιών.

Λήψη εγχειριδίων μπορεί να γίνει από την ηλεκτρονική διεύθυνση [ingersollrandproducts.com](http://ingersollrandproducts.com).

Για επικοινωνία, απευθυνθείτε στο πλησιέστερο γραφείο ή διανομέα της **Ingersoll Rand**.

## Opis Izdelka

Brezžični udarni ključ je baterijsko, ročno orodje, ki uporablja rotacijske udarce za privijanje in odvijanje vijčnih vez s posebnimi kaljenimi ločljivimi vložki.

### OPOZORILO

#### Splošne Informacije o Varnem Ravnanju z Izdelkom

- **Opozorilo!** Preberite vsa navodila. Neupoštovanje vseh spodnjih navodil lahko povzroči udar električnega toka, požar in/ali resno telesno poškodbo. Vsa opozorila in navodila shranite. Morda jih boste potrebovali v prihodnosti. Izraz "orodje" v vseh opozorilih se nanaša na vaše orodje, ki se napaja iz električnega omrežja ali (brežžično) orodje na baterijsko napajanje.
- **Poskrbite, da bodo informacije o varnem ravnanju z orodjem na voljo tudi ostalim uporabnikom orodja.** Neupoštevanje standardov in predpisov lahko povzroči telesno poškodbo.
- **Izdelek vedno uporabljajte, pregledujte in vzdržujte v skladu z vsemi veljavnimi standardi in predpisi (lokalnimi, državnimi, zveznimi itd.).** Za delo v skladu s predpisi in standardi odgovarja uporabnik sam. Neupoštevanje standardov in predpisov lahko povzroči telesno poškodbo.

#### Varnost delovnega mesta

- **Zagotovite, da bo delovno področje čisto in dobro osvetljeno.** Neurejena in temačna delovna področja kar kličejo nesrečo.
- **Orodje ne uporabljajte v eksplozivnih ozračjih, na primer v prisotnosti vnetljivih tekočin, plinov ali prahu.** Orodje lahko med uporabo povzroči iskre, ki lahko vžgejo prah ali pare.
- **Med uporabo orodja preprečite dostop otrokom in opazovalcem.** Če vas pri delu zmotijo, lahko izgubite nadzor nad orodjem.
- **Zavedajte se zakopanih, skritih ali drugih nevarnosti v delovnem okolju. Pazite, da se med delom ne boste dotikali ali poškodovali kablov, vodnikov, cevi ali cevovodov, ki lahko vsebujejo električne žice, eksplozivne pline ali škodljive tekočine.** Posledica neustrezne uporabe je lahko udar električnega toka, požar ali telesna poškodba.

#### Električna Varnost

- **Vtičak orodja mora ustrezati vtičnici. Ne poskušajte spremeniti vtičaka. Ne uporabljajte prilagodilnih vmesnikov za vtiči ozemljenih orodij.** Nespremenjeni vtičaki in ustrezne vtičnice zmanjšajo nevarnost udara električnega toka.
- **Izogibajte se dotikanju ozemljenih površin, kot so cevi, radiatorji, peči in hladilniki.** Če je vaše telo ozemljeno, se poveča nevarnost udara električnega toka.
- **Pazite, da orodja ne boste izpostavili dežju ali vlagi.** Če v orodje vstopi voda, se poveča nevarnost udara električnega toka.
- **Z napajalnim kablom ravnajte previdno. Orodja nikoli ne prenašajte ali vlečite za kabel. Nikoli ne izvlecite vtičaka iz vtičnice z vlečenjem kabla. Kabel lahko poškodujejo vročina, razna olja, ostri robovi ali premični deli.** Poškodovani kabli ali kabli z zankami povečajo nevarnost udara električnega toka.
- **Če z orodjem delate zunaj, uporabite podaljšek, ki je primeren za uporabo na odprtem.** Če uporabite podaljšek, ki je primeren za uporabo na odprtem, zmanjšate nevarnost udara električnega toka.
- **Če morate električno napravo nujno uporabiti v vlažnih razmerah, uporabite napajanje z napravo na diferencialni tok (RCD-stikalo).** Uporaba naprave na diferencialni tok zmanjša tveganje električnega udara.
- **Vedno uporabljajte označeno napetost.** Neustrezna napetost lahko povzroči udar električnega toka, požar ali nepravilno delovanje in lahko povzroči telesno poškodbo.
- **Pazite, da bodo vsi električni kabli in priključki ustrezne velikosti, vsi vtiči in spojniki pa dobro pritrjeni.** Neustrezna napetost lahko povzroči udar električnega toka ali požar in lahko povzroči telesno poškodbo.

#### Osebnostna Varnost

- **Bodite pozorni in pazite kaj počnete pri delu z orodjem. Orodja ne uporabljajte, če ste utrujeni, pod vplivom mamil, alkohola ali zdravil.** E trenutek nepazljivosti med delom s električnim orodjem utegne povzročiti resne osebne poškodbe.
- **Uporabljajte zaščitno opremo. Vedno uporabljajte zaščitna očala.** Po potrebi glede na razmere za preprečevanje telesnih poškodb uporabite osebno varnostno opremo, npr. prašno masko, varnostne čevlje, ki ne drsijo, čelado in pripomočke za zaščito sluha.
- **Preprečite nenameren zagon orodja. Preden vključite kabel v električno omrežje, zagotovite, da je stikalo v položaju off (izključeno orodje).** Nošenje orodja s prsti na stikalo ali priključitev orodja na omrežje z vključenih stikalom kar kliče po nesreči.
- **Preden vključite orodje, odstranite nastavitveni ključ.** Ključ, ki ga pozabite odstraniti z vrtečega dela stroja, lahko povzroči telesne poškodbe.
- **Ne segajte predaleč. Ostanite ves čas trdno na nogah in v uravnoteženem položaju.** To omogoča boljši nadzor v nepričakovanih situacijah.
- **Nosite ustrezna oblačila. Ne nosite ohlapnih oblačil ali nakita. Dolge lase zavarujte na primeren način. Pazite, da bodo lasje, deli oblačila in rokavice vedno dovolj daleč od premičnih delov orodja.** Premični deli orodja lahko zagrabijo ohlapna oblačila, nakit ali dolge lase.
- **Če je na voljo oprema za odvod in zbiranje prahu, zagotovite pravilno priključitev in uporabo.** Z uporabo te opreme lahko zmanjšate nevarnosti, povezane s prahom.
- **S pomočjo spon ali na druge praktične načine pritrдите obdelovanec na trdno podporo.** Držanje obdelovanca z rokami ali težo telesa ni stabilno in lahko povzroči izgubo nadzora.
- **Izogibajte se izpostavljenosti in vdihavanju škodljivega prahu in prašnih delcev, ki lahko nastanejo med uporabo orodja.**
  - Znano je, da lahko prah, ki nastane med peskanjem, zaganjem, brušenjem, vrтанjen in med izvajanjem drugih gradbenih postopkov, vsebuje kemikalije, ki lahko povzročijo raka, hibe na novorojenčih in druge reproduktivne okvare. Nekateri primeri takšnih kemikalij so:
    - svinec, ki ga vsebujejo nekatere barve,
    - kremen v kristalni obliki, ki ga vsebujejo opeke, cement in drugi gradbeni izdelki, in
    - arzen in krom, ki ga lahko vsebuje kemično obdelan stavbni les.
  - Ogroženost zaradi teh škodljivih vplivov je odvisna od pogostosti izpostavitve. Izpostavitve tem kemikalijam zmanjšate tako, da: poskrbite za dobro prezračevanje in delo opravljate le s priporočeno zaščitno opremo, kot so na primer prašne maske, ki so izdelane tako, da zadržijo mikroskopske delce prahu.

- **Če občutite neudobje, mravljinice ali bolečino, prekinite z uporabo orodja.** Tresljalji, ponavljajoči gibi in neudobni položaji so lahko škodljivi za roke in dlani. Orodje se lahko med uporabo močno trese. Pred nadaljevanjem dela se posvetujte z zdravnikom.
- **Oddajanje tresljaljev med dejansko uporabo orodja je lahko drugačno od deklarirane vrednosti, odvisno od načina uporabe orodja.** Upoštevajte ustrezne varnostne ukrepe, da zaščitite uporabnika glede na oceno izpostavljenosti med dejansko uporabo.
- **Izogibajte se dotikanju premičnih delov orodja.** Orodje in/ali dodatna oprema lahko po izključitvi še krajši čas nadaljujejo z delovanjem, zato obstaja nevarnost zapletanja ali druge telesne poškodbe.

## Uporaba in Vzdrževanje Orodja

- **Pri uporabi orodja ne pritiskajte preveč. Uporabljajte ustrezno orodje za opravilo, ki ga izvajate.** Z ustreznim orodjem boste delo opravili bolje, varneje in s tako hitrostjo, za katero je bilo orodje izdelano.
- **Ne uporabljajte orodja, če ga s stikalom ni mogoče vključiti/izključiti.** Orodje, ki ga ni mogoče upravljati s stikalom, je nevarno in potrebuje popravilo.
- **Pred izvajanjem nastavitve, menjavo dodatne opreme ali shranjevanjem orodja izvlecite vtičak iz električnega omrežja.** Takšen preventivni varnostni ukrep zmanjša nevarnost slučajnega zagona orodja.
- **Neuporabljeno orodje hranite izven dosegá otrok in drugih oseb, ki ne poznajo orodja ali teh navodil za upravljanje z orodjem.** Orodje je nevarno v rokah uporabnikov, ki niso usposobljeni za ravnanje z njim.
- **Orodje vzdržujte. Zagotovite, da so premični deli pravilno naravnani, ne prihaja do zatikanja, ni nobenih polomljenih delov ali drugih okvar, ki bi lahko vplivale na delovanje orodja. Če je orodje poškodovano, ga je treba servisirati pred nadaljnjo uporabo.** Številne nesreče so posledica slabo vzdrževanega orodja.
- **Rezilne robove je treba imeti ostre in čiste.** Dobro vzdrževana orodja z ostrimi robovi se redko zataknjejo in so lažje obvladljiva. Za zagotovitev popolnega nadzora nad orodjem poskrbite, da bodo ročaji čisti in suhi.
- **Orodje, potrebščine in svedre oz. nastavke orodja itn. uporabljajte v skladu s temi navodili in kakor je predvideno za posamezno vrsto orodja, pri čemer upoštevajte delovne pogoje in delo, ki ga opravljate.** Nevarno je, če orodje uporabite za delo, za katerega orodje ni namenjeno.
- **Če nosite rokavice, se najprej prepričajte, da lahko še vedno neovirano izključite orodje.** Neupoštevanje teh priporočil lahko povzroči telesne poškodbe.
- **Ne odstranjujte oznak z izdelka. Poškodovane oznake takoj zamenjajte.** Oznake nudijo informacije, ki so potrebne za varno uporabo izdelka.

## Uporaba in skrb za baterijo

- **Baterijski vložek polnite le s polnilcem, ki ga določa izdelovalec.** Polnilnik, ki je primeren za eno vrsto baterije lahko povzroči požar, če se uporabi za drugo vrsto baterije.
- **Orodje uporabljajte vedno le z baterijskimi vložki, ki so posebej določeni za to orodje.** Uporaba druge vrste baterije lahko povzroči nevarnost telesne poškodbe in požara.
- **Ko baterijski vložek ni v uporabi ga hranite daleč od kovinskih predmetov, kot: papirne sponke, kovanci, ključji, želblji, vijaki ali druge majhne predmete, ki lahko povežejo priključka baterije.** Kratek stik med priključki baterije lahko povzroči ožganine ali požar.
- **Če se zaradi neustreznega ravnanja z orodjem iz baterije izločijo snovi, pazite, da ne pridejo v stik s kožo. Če pridete v stik s snovjo, sperite prizadeti del z vodo. Če snov pride v stik z očmi, jih nemudoma sperite z vodo in poiščite medicinsko pomoč.** Tekočina iz baterije lahko povzroči draženje ali ožganine.
- **Prepričajte se, da je stikalo v izključenem položaju, preden vložite baterijski vložek v orodje.** Če baterijski vklozek vložite v orodje, katerega stikalo je v vključenem položaju, kar kličete nesrečo.
- **Pred nastavljanjem ali zamenjavo priključkov odklopite baterijo iz orodja oz. premaknite stikalo v zaklenjen položaj.** Takšni preventivni varnostni ukrepi zmanjšujejo nevarnost naključnega zagona orodja.
- **Električno orodje se bo pregrelo, če ga pustite vklopljenega, medtem ko je motor orodja močno obremenjen ali preneha delovati oz. je kako drugače preprečeno njegovo vrtenje. Če pride do tega, izklopite orodje.** Če v takšnem stanju napajanje ni prekinjeno, lahko pride do pregretja, dima ali požara, ki lahko povzroči telesne poškodbe ali materialno škodo.
- **Pred shranjevanjem orodja oz. odlaganjem orodja v zaboj ali torbo za orodje baterijo odklopite iz orodja. Naključen zagon med shranjevanjem ali prevozom lahko povzroči številna nevarna stanja, npr. pregretje orodja. Nenadzorovano delovanje orodja lahko povzroči različne nevarnosti, npr. pregretje, dim ali požar.**
- **Ne blokirajte lukenj za hlajenje z zrakom v ohišju, ker lahko sicer pride do pregrevanja orodja.** Uporabljanje orodja v takšnem stanju lahko privede do pregrevanja, dima ali požara, ki lahko povzroči telesne poškodbe ali materialno škodo.
- **Orodje se lahko med neprekinjeno uporabo ali drugimi zahtevnimi delovnimi cikli pregreje. Če se katerikoli del naprave prekomerno segreje ali če se začne iz motorja kaditi, nemudoma prenehajte z uporabo in počakajte, da se orodje ohladi.** Če pod temi pogoji nadaljujete z uporabo orodja, bo prišlo do okvare, vročina ali ogenj pa lahko povzročita telesne poškodbe ali materialno škodo.
- **Nemudoma prenehajte z uporabo in zamenjajte baterijo, ki se je med uporabo prekomerno segrela ali ki omogoča le kratek čas uporabe.** Navadno imajo te baterije za seboj veliko ciklov polnjenja/praznjenja ali pa so stare oziroma poškodovane. Nadaljevanje uporabe poškodovane baterije lahko privede do telesnih poškodb ali materialne škode zaradi vročine, ognja ali eksplozije.
- **Ne poskušajte predelati tega orodja, zaščitnih naprav ali dodatne opreme.** Posledica take predelave je lahko udar električnega toka, požar ali telesna poškodba.
- **Uporabljajte samo tiste priključke, ki jih priporoča Ingersoll Rand za vaš model.** Priključki in elementi, ki so primerni za eno orodje so lahko nevarni, ko jih uporabimo na drugo orodje.
- **Ne odstranjujte oznak z izdelka. Poškodovane oznake takoj zamenjajte.** Oznake nudijo informacije, ki so potrebne za varno uporabo izdelka.

## Servisiranje

- **Vaše orodje naj servisira le usposobljen serviser, ki uporablja identične nadomestne dele.** Na ta način boste zagotovili varnost orodja.
- **Pri servisiranju orodja uporabljajte le izvirne nadomestne dele Ingersoll Rand in upoštevajte vsa navodila za vzdrževanje.** Uporaba ses-tavnih delov, ki jih proizvajalec ne priporoča, ali neupoštevanje navodil za vzdrževanje lahko povzročita udar električnega toka ali telesno poškodbo.
- **Ne sežigajte baterij in ne segrevajte jih na temperature, ki presegajo 100°C (212°F).** Nepravilno ravnanje z baterijami lahko povzroči kemične opekline ali požar.
- **Baterije vedno reciklirajte ali odlagajte v skladu z vsemi veljavnimi standardi in predpisi (lokalnimi, državnimi, zveznimi itd.).** Nepravilno odlaganje ogroža naravo.

**⚠ OPOZORILO****Pravila za Ravno Ravnanje z Izdelkom**

- **Držite orodje z izoliranim ročajem, ko opravljate delo, kjer rezilo lahko pride v stiku z električnim žicami.** Zaradi stika z žico pod napetostjo postane kovinski del orodja tudi pod električno napetostjo in strojnik lahko dobi udar električnega toka.
- **Pri modelih, ki omogočajo spremembo smeri vrtenja, pred uporabo orodja preverite položaj mehanizma za izbiro smeri vrtenja.** To je potrebno za obvladovanje orodja pri delu.
- **Uporabljajte le udarne nasadne nastavke in dodatno opremo.** Ne uporabljajte ročne (krom) mufe in priključke. Ti se lahko lomijo med delom in povzročijo poškodbe.
- **Občasno preverite pogonski del orodja in zagotovite, da mehanizem za zadrževanje nastavkov deluje pravilno in da nastavki in pogonski del niso preveč obrabljeni,** saj bi to lahko povzročilo snemanje nastavkov med vrtenjem.
- **Udarni ključi niso navorni ključi. Povezave, ki zahtevajo določen navor, morate po zategovanju z udarnim ključem preveriti z merilnikom navora.** Nepravilne navorne povezave se lahko odvijajo in povzročajo poškodbe.
- **Izpostavljenih krmilnih ventilov ne smete uporabljati tam, kjer bi lahko zaradi ovir krmilni ventil ostal v položaju "on" (vključeno).** Morda orodja ne bo mogoče izključiti.
- **Svetlobe ne usmerjajte v oči drugih oseb ali živali.** Močna svetloba lahko poškoduje oči.

**Informacije o varnem ravnanju z izdelkom: Baterija****Opis izdelka**

Baterija je naprava za shranjevanje električne energije, ki služi kot vir energije za **Ingersoll Rand** Baterijske izdelke.

**⚠ OPOZORILO****Splošna varnostna opozorila za baterije**

- **Opozorilo! Preberite vsa varnostna opozorila in navodila.** V kolikor opozoril in navodil ne upoštevate, lahko pride do električnega udara, požara in/ali resnih poškodb.
- **Vsa opozorila in navodila shranite. Morda jih boste potrebovali v prihodnosti.**
- **Poskrbite, da bodo informacije o varnem ravnanju z orodjem na voljo tudi ostalim uporabnikom orodja.** Neupoštevanje standardov in predpisov lahko povzroči telesno poškodbo.
- **Izdelek vedno uporabljajte, pregledujte in vzdržujte v skladu z vsemi veljavnimi standardi in predpisi (lokalnimi, državnimi, zveznimi itd.).** Za delo v skladu s predpisi in standardi odgovarja uporabnik sam. Neupoštevanje standardov in predpisov lahko povzroči telesno poškodbo.
- Izraz »električno orodje« v opozorilih se nanaša na akumulatorska (brežžična) orodja.

**Električna varnost**

- **Baterij ali električnega orodja ne izpostavljajte dežju ali vlažnim razmeram.** Voda v bateriji ali električnem orodju znatno poveča tveganje električnega udara.

**Osebnna varnost**

- **Ne poskušajte predelati orodja, zaščitnih naprav ali dodatne opreme.** Posledica take predelave je lahko udar električnega toka, požar ali telesna poškodba.

**Uporaba in nega baterije in električnega orodja**

- **Baterije in električna orodja, ki niso v uporabi, shranjujte izven dosega otrok in ne dovolite, da bi baterija ali električno orodje uporabljale osebe, ki niso seznanjene z njimi ali s temi navodili.** Baterije in električna orodja so v rokah neusposobljenih uporabnikov nevarna.
- **Baterije, električno orodje, dodatke, nastavke za orodje itd. uporabljajte v skladu s temi navodili ter upoštevajte delovne pogoje in vrsto dela, ki ga boste izvajali.** Uporaba baterij ali električnega orodja za namene, ki so drugačni od tistih, za katere je bilo orodje zasnovano, lahko povzroči nevarne situacije.
- **Baterijo polnite le s polnilnikom, ki ga določa proizvajalec.** Polnilnik, ki ustreza eni vrsti baterij, morda lahko povzroči požar, če z njim polnite drugo vrsto baterij. Glejte priročnik z informacijami o polnilniku za dodatna opozorila glede polnilnika.
- **Baterijska orodja uporabljajte samo s predpisano vrsto baterij.** Če uporabljate katere koli druge baterije, s tem tvegate, da pride do poškodb ali požara.
- **Neuporabljene baterije hranite stran od drugih kovinskih predmetov, kot so: papirne sponke, kovanci, žebliji, vijaki ali drugi majhni kovinski predmeti, ki lahko vzpostavijo stik med priključki baterije.** Kratak stik med priključki baterije lahko povzroči iskrjenje, ožganine ali požar.
- **Če baterije zlorabljate, lahko iz nje steče tekočina – izogibajte se stiku z njo. Če se po nesreči dotaknete tekočine, mesto dotika sperite z vodo. Če pride tekočina v stik z očmi, poiščite zdravstveno pomoč.** Tekočina, ki izteče iz baterije, lahko povzroči vnetje ali opekline.
- **Nemudoma prenehajte z uporabo in zamenjajte baterijo, ki se je med uporabo prekomerno segrela ali ki omogoča le kratek čas uporabe.** Navadno imajo te baterije za seboj veliko ciklov polnjenja/praznjenja ali pa so stare oziroma poškodovane. Nadaljevanje uporabe poškodovane baterije lahko privede do telesnih poškodb ali materialne škode zaradi vročine, ognja ali eksplozije.
- **Ne odstranjujte oznak z izdelka. Morebitne poškodovane oznake takoj zamenjajte.** Oznake nudijo informacije, ki so potrebne za varno uporabo izdelka.
- **Baterij ne izpostavljajte mehanskim šokom.**
- **Baterij ne polnite dalj časa, če jih ne uporabljate.**
- **Če je mogoče, baterije odstranite iz opreme, ko je ne uporabljate.**
- **Ne uporabljajte poškodovanih baterij.**

## Servisiranje

- **Ne sežigajte baterij in ne segrevajte jih na temperature, ki presegajo 100°C (212°F).** Nepravilno ravnanje z baterijami lahko povzroči kemične opekline ali požar.
- **Baterije vedno reciklirajte ali odlagajte v skladu z vsemi veljavnimi standardi in predpisi (lokalnimi, državnimi, zveznimi itd.).** Nepravilno odlaganje ogroža naravo.
- **Ne odpirajte pokrova ali ohišja. V notranjosti ni sestavnih delov, ki bi jih lahko popravil uporabnik sam.** Posledica takega ravnanja je lahko udar električnega toka ali telesna poškodba.

## Informacije o varnem ravnanju z izdelkom: Polnilnik baterij

### Opis izdelka

Polnilnik baterij je električna naprava, ki najprej pretvori izmenično napetost v enosmerno, nato pa le-to uporabi za polnjenje električnih baterij.

## ⚠ OPOZORILO

### Splošne informacije o Varnem Ravnanju z Izdelkom

- **Preberite in upoštevajte vsa navodila.** Neupoštevovanje vseh spodnjih navodil lahko povzroči udar električnega toka, požar in/ali resno telesno poškodbo.
- **Poskrbite, da bodo informacije o varnem ravnanju z orodjem na voljo tudi ostalim uporabnikom orodja.** Neupoštevanje standardov in predpisov lahko povzroči telesno poškodbo.
- **Izdelek vedno uporabljajte, pregledujte in vzdržujte v skladu z vsemi veljavnimi standardi in predpisi (lokalnimi, državnimi, zveznimi itd.).** Za delo v skladu s predpisi in standardi odgovarja uporabnik sam. Neupoštevanje standardov in predpisov lahko povzroči telesno poškodbo.
- **Otroke imejte pod nadzorom, da preprečite uporabo ali igro s tem izdelkom.**
- **Ta izdelek ni namenjen uporabi osebam, ki imajo zmanjšane fizične, senzorične ali psihične sposobnosti, ali pomanjkanje izkušenj in znanja, razen če ga uporabljajo pod nadzorom oz. so navodila glede uporabe izdelka dobili od osebe, ki je odgovorna za njihovo varnost.**

### Varnost delovnega mesta

- **Polnilnika baterij ne uporabljajte v eksplozivnih ozračjih, na primer v prisotnosti vnetljivih tekočin, plinov ali prahu.** Polnilnik baterij lahko med uporabo povzroči iskre, ki lahko vžgejo prah ali pare.

### Električna Varnost

- **Izdelki z dvojno izolacijo so opremljeni s polariziranim vtičakom (eden od priključkov je širši od drugega). Ta vtičač se je mogoče v polarizirano vtičnico priključiti le na en način. Če se vtičač ne prilega vtičnici, obrnite vtičač. Če se vtičač še vedno ne prilega, pokličite usposobljenega električarja, ki bo namestil polarizirano vtičnico. Ne poskušajte spremeniti/ predelati vtičača.** Dvojna izolacija odpravi potrebo po uporabi ozemljenega tri-žilnega omrežnega kabla in potrebo po ozemljenem sistemu omrežne napetosti.
- **Z napajalnim kablom ravnajte previdno. Orodja nikoli ne prenašajte ali vlecite za kabel. Nikoli ne izvlecite vtičača iz vtičnice z vlečenjem kabla. Kabel lahko poškodujejo vročina, razna olja, ostri robovi ali premični deli.** Poškodovani kabli ali kabli z zankami povečajo nevarnost udara električnega toka.
- **Baterijsko napajano orodje z vgrajenimi baterijami ali z ločenim baterijskim paketom smete polniti le s polnilnikom, ki je določen za ta tip baterij.** Polnilnik, ki je primeren za eno vrsto baterije lahko povzroči požar, če se uporabi za drugo vrsto baterije.
- **Polnilnik ni namenjen uporabi na odprtem. Pazite, da polnilnika ne boste izpostavili dežju. Polnilnika ne uporabljajte na vlažnih ali mokrih mestih.** Posledica odpiranja naprave je lahko udar električnega toka ali druga telesna poškodba.
- **Vedno uporabljajte označeno omrežno napetost.** Neustrezna napetost lahko povzroči udar električnega toka, požar ali nepravilno delovanje in lahko povzroči telesno poškodbo.
- **Izogibajte se dotikanju polnilnih priključkov polnilnika s prsti, žico ali drugim prevodnim materialom. Uporabljajte le baterije, ki jih priporoča Ingersoll Rand.** Posledica odpiranja naprave je lahko udar električnega toka ali druga telesna poškodba.
- **Ne poskušajte napolniti baterij, ki niso namenjene polnjenju.** Zaradi tega lahko pride do udara električnega toka, požara ali poškodb.

### Osebnostna Varnost

- **Ne poskušajte predelati tega izdelka, zaščitnih naprav ali dodatne opreme.** Posledica take predelave je lahko udar električnega toka, požar ali telesna poškodba.
- **Izdelek lahko uporabljate le za priporočena opravila.** Posledica neustrezne uporabe je lahko udar električnega toka, požar ali druga telesna poškodba.
- **Pred priključitvijo na omrežno napetost polnilnik varno namestite na primerno površino. Hranite polnilnik na varnem mestu izven dosega otrok.** Posledica uporabe na neprimernem mestu ali otroške igre je lahko udar električnega toka, požar ali telesna poškodba.

### Uporaba in Vzdrževanje

- **Nikoli ne uporabljajte poškodovanega ali pokvarjenega napajalnika. Napajalnik takoj izključite in ga odnesite na popravilo ali pa ga zamenjajte.** Posledice nadaljnje uporabe so lahko električni udar, požar ali telesne poškodbe.
- **Ne odstranjujte oznak z izdelka. Poškodovane oznake takoj zamenjajte.** Oznake nudijo informacije, ki so potrebne za varno uporabo izdelka.

### Servisiranje

- **Popravila naj izvaja le pooblaščen servisni center Ingersoll Rand ali podobno usposobljeno servisno osebje.** Če izdelek servisira ali vzdržuje neusposobljeno osebje, lahko pride do telesnih poškodb.
- **Ne odpirajte pokrova ali ohišja. V notranjosti ni sestavnih delov, ki bi jih lahko popravil uporabnik sam.** Posledica odpiranja naprave je lahko udar električnega toka ali druga telesna poškodba.
- **Če je napajalni kabel poškodovan, ga lahko zamenja le pooblaščen servisni center Ingersoll Rand ali podobno usposobljeno servisno osebje.** Poškodovani ali nepravilno vgrajeni kabli povečajo nevarnost udara električnega toka.

**OPOMBA**

Če želite več informacij o varnosti za določen model, glejte Priročnik z informacijami izdelka.

**Legenda varnostnih simbolov**

Tveganje eksplozije.  
Upošteвайте vsa varnostna navodila  
za uporabo.



Uporabljajte zaščitna  
očala



Uporabljajte  
pripomočke za zaščito  
sluha



Pred uporabo izdelka preberite priročnike



(Risba: 16589525)

**Informacije o Varnosti - Pojasnila za Varnostna Opozorila****NEVARNO**

Označuje neposredno nevarne okoliščine, v katerih lahko nastanejo hujše telesne poškodbe ali smrt.

**OPOZORILO**

Označuje potencialno nevarne okoliščine, v katerih lahko nastanejo hujše telesne poškodbe ali smrt.

**POZOR**

Označuje potencialno nevarne okoliščine, v katerih lahko nastanejo lažje telesne poškodbe ali materialna škoda.

**OPOMBA**

Označuje informacije ali priporočila proizvajalca, ki se nanašajo neposredno ali posredno na varnost osebja ali zaščito premoženja.

**Informacije o Sestavnih Delih Izdelka****POZOR**

**Uporaba nadomestnih delov, ki niso originalen izdelek podjetja Ingersoll Rand, lahko povzroči ogrožanje varnosti pri uporabi, zmanjšanje zmogljivosti orodja, povečanje stroškov vzdrževanja in lahko pomeni razveljavitev vseh jamstev proizvajalca.**

**Popravila naj izvaja le pooblaščen o usposobljeno osebje. Posvetujte se z najbližjim pooblaščenim servisom Ingersoll Rand.**

Izvirni jezik navodil je angleški. Navodila v drugih jezikih so prevodi izvirnih navodil.

Priročnike lahko snamete s spletne strani [ingersollrandproducts.com](http://ingersollrandproducts.com).

Morebitne pripombe, vprašanja ali ideje lahko sporočite najbližjemu predstavnštvu ali zastopniku podjetja **Ingersoll Rand**.

## Popis Výrobku

Akumulátorový rázový ut'ahovák je akumulátorom napájaný, ručný, elektrický náradie, ktorý využíva rotačnú rázu na upevnenie alebo uvoľnenie závitových spojov pomocou špeciálne tvrdných ut'ahovacích hlavíc/orechov.

## VAROVANIE

### Všeobecné Bezpečnostné Pravidlá

- **Výstraha!** Prečítajte si všetky pokyny. Nedodržanie všetkých nižšie uvedených pokynov môže viesť k vzniku zásahu el. Všetky výstrahy a pokyny uschovajte pre možnú potrebu v budúcnosti. Prúdom, požiaru a/alebo vážneho zranenia. Pojem „el. náradie“ vo všetkých nižšie vymenovaných výstrahách sa vzťahuje na el. náradie pripojiteľné do el. siete (s káblom) alebo el. náradie na batérie (bez kábla).
- **Ste povinní sprístupniť tieto bezpečnostné informácie všetkým, ktorí budú tento výrobok používať.** Nedodržanie predpisov a noriem môže spôsobiť zranenie osôb.
- **Tento výrobok vždy inštalujte, prevádzkujte, kontrolujte a udržiavte v súlade so všetkými platnými normami a predpismi (miestne, štátne, regionálne, federálne atď.).** Dodržiavanie všetkých predpisov je vašou povinnosťou. Nedodržanie predpisov a noriem môže spôsobiť zranenie osôb.

### Bezpečnosť na pracovisku

- **Udržiavajte vaše pracovné miesto čisté a dobre osvetlené.** Neporiadok na pracovnom stole a tmavé oblasti prít'ahujú nehody.
- **Nepoužívajte elektrické náradie vo výbušnom prostredí, ako napríklad v prítomnosti horľavých kvapalín, plynov alebo prachu.** Elektrické náradie vytvára iskry, ktoré môžu zapáliť prach alebo výpary.
- **Počas práce s elektrickým náradím by sa mali deti a okolostojaci zdržiavať mimo pracovného priestoru.** Odvedenie pozornosti môže spôsobiť neschopnosť ovládnania.
- **Dajte pozor na zasypané, skryté predmety a ďalšie riziká, ktoré sa môžu vyskytnúť vo vašom pracovnom prostredí. Nedotýkajte sa ani nepoškodzujte káble, privádzace, rúrky alebo hadice, ktoré môžu obsahovať elektrické dróty, výbušné plyny alebo škodlivé kvapaliny.** Môže dôjsť k zásahu el. prúdom, požiaru alebo poraneniu osôb.

### Elektrická Bezpečnosť

- **Zástrčky el. náradia musia vyhovovať zásuvke. Zástrčku žiadnym spôsobom nemeňte. S uzemneným el. náradím nepoužívajte žiadne zástrčky s adaptérom.** Nepozmenené zástrčky a príslušné zásuvky znižujú riziko zásahu e. prúdom.
- **Vyhňte sa kontaktu tela s uzemnenými povrchmi ako sú trubky, žiarice, sporáky a chladničky.** Ak je vaše telo uzemnené, existuje zvýšené riziko zásahu el. prúdom.
- **El. náradie nevystavujte dažďu ani mokrému prostrediu.** Pri preniknutí vody do el. náradia sa zvyšuje riziko zásahu el. prúdom.
- **Kábel nepoužívajte na iné účely. Nikdy nepoužívajte kábel na nosenie, ťahanie alebo vyt'ahovanie el. náradia zo zástrčky. Kábel chráňte pred teplom, olejom, ostrými hranami alebo pohybujúcimi sa časťami.** Poškodené alebo zauzlené káble zvyšujú riziko zásahu el. prúdom.
- **Keď používate el. náradie v exteriéri, používajte predlžovací kábel vhodný pre takéto použitie.** Použitie káblu vhodného pre použitie v exteriéri znižuje riziko zásahu el. prúdom.
- **Ak sa nedá vyhnúť práci s elektrickým náradím vo vlhkom prostredí, používajte napájanie chránené prerušovačom obvodu proti zvyškovému prúdu (RCD).** Používaním prúdového chrániča sa znižuje riziko úrazu elektrickým prúdom.
- **Používajte len špecifikované napájacie napätie.** Nesprávne napätia môže spôsobiť zásah el. prúdom, požiar, nesprávne fungovanie alebo zranenie.
- **Dbajte na to, aby všetky vodiče a káble mali správnu veľkosť a aby všetky zástrčky a konektory boli pevne zabezpečené.** Poddimenzované vodiče a nepevné pripojenia môžu spôsobiť elektrický šok, požiar alebo poranenie osôb.

### Osobná Bezpečnosť

- **Pri používaní náradia zostaňte pozorný, sústreďte sa na prácu a používajte všetky zmysly. Nepoužívajte el. náradie, ak ste unavený alebo ste pod vplyvom liekov, drog alebo alkoholu.** Chvilka nepozornosti počas práce s el. náradím môže spôsobiť vážne zranenie.
- **Používajte ochranné pomôcky. Vždy noste ochranu na oči.** Bezpečnostné pomôcky, ako je prachová maska/respirátor, protišmykové bezpečnostné topánky, tvrdá čiapka/prilba alebo ochrana sluchu/slúchadlá pre primerané prostredie zníži výskyt zranení.
- **Zabráňte náhodnému spusteniu náradia. Pred zapojením el. náradia do zásuvky sa uistite, že vypínač je vypnutý.** Prenášanie el. náradia s prstom na vypínači alebo zapájanie zapnutého el. náradia môže spôsobiť nehodu.
- **Pred spustením el. náradia odstráňte všetky nastavovacie kľúče alebo momentové kľúče.** Kľúč alebo momentový kľúč, ktorý zostal pripojený k rotačnej časti el. náradia, môže spôsobiť zranenie.
- **Neprečunujte svoje sily. Vždy si zachovajte správnu rovnováhu a zabezpečte správnu si obuv.** Umožníte tak lepšie ovládanie el. náradia v neočakávaných situáciách.
- **Vhodne sa oblečte. Nenoste voľné oblečenie alebo šperky. Zviažte si dlhé vlasy. Držte vlasy, oblečenie a rukavice mimo pohyblivých častí.** Voľné oblečenie, šperky alebo dlhé vlasy sa môžu zachytiť do pohyblivých častí.
- **Ak sú k dispozícii zariadenia na pripojenie odsávania prachu a zberných nádob, zabezpečte, aby boli pripojené a správne používané.** Použitie týchto zariadení môže znížiť nebezpečenstvo súvisiace s prachom.
- **Na zabezpečenie a upevnenie opracovávaného predmetu na pevné miesto používajte svorky alebo iné úchytky.** Držanie náradia pri práci len v ruke alebo proti telu je nestabilné a môže spôsobiť stratu kontroly nad náradím.
- **Nevystavujte sa pôsobeniu ani nevdychnite škodlivý prach a častičky vytvorené el. náradím.**
  - V niektorých prípadoch môže prach vytvorený pri tryskaní pieskom, rezaní, brúsení, vrtní a ďalších stavebných aktivitách obsahovať chemikálie spôsobujúce rakovinu, genetické chyby alebo ďalšie reprodukčné problémy. Niektoré príklady takýchto chemikálií sú:
    - olovo z farieb na báze olova,
    - kryštalický kremík z tehál a cementu a ďalších stavebných produktov,
    - arzén a chróm z chemicky upravených drevených trávov.
  - Miera rizika sa líši v závislosti od toho, ako často vykonávate tento typ práce. Riziko expozície chemikáliám znížite nasledovne: pracujte v dobre vetranom priestore, používajte schválené bezpečnostné vybavenie, napr. masky proti prachu/respirátory, ktoré sú navrhnuté špeciálne na odfiltrovanie mikroskopických častíc.
- **Ak máte nepríjemné pocity, brnenie alebo cítite bolesť, prestaňte s náradím pracovať.** Vibrácie, opakované pohyby alebo nepohodlné pracovné polohy môžu byť škodlivé pre vaše ruky alebo ramená. Pracovné náradie môže pri použití vibrovať. Pred ďalším použitím navštívte lekára.

- **Emisie vibrácií počas skutočného používania elektrického náradia sa môžu odlišovať od deklarovanej hodnoty v závislosti na spôsoboch používania náradia.** Na ochranu obsluhy prijmite vhodné opatrenia, a to na základe odhadu vystavenia účinkom počas skutočného použitia.
- **Vyhňte sa kontaktu s pohyblivými časťami náradia.** Náradie a/alebo jeho príslušenstvo sa môžu ešte krátko po vypnutí pohybovať, zamotať sa a spôsobiť poranenie.

### Použitie a Starostlivosť o El. Náradie

- **El. náradie nepretáždite.** Na prácu používajte vždy správne el. náradie. Správne el. náradie vykoná prácu, na ktorú je určené, lepšie a bezpečnejšie, rýchlostou, pre ktorú je navrhnuté.
- **Nepoužívajte el. náradie, ak nefunguje jeho vypínanie či zapínanie.** Akékoľvek el. náradie, ktoré nemôže byť ovládané vypínačom, je nebezpečné a musí sa opraviť.
- **Pred akýmikoľvek nastaveniami, výmenou príslušenstva alebo skladovaním náradia odpojte el. náradie od zdroja energie.** Tieto preventívne bezpečnostné opatrenia znižujú riziko náhodného spustenia náradia.
- **Nečinné el. náradie skladujte mimo dosahu detí a nedovoľte osobám, ktoré s ním alebo s týmito pokynmi nie sú oboznámené, aby ho používali.** V rukách niekoľkých osôb je náradie nebezpečné.
- **El. náradie udržiavajte. Kontrolujte nesprávne vycentrovanie alebo zablokovanie pohyblivých častí, poškodenie častí alebo akýkoľvek iný stav, ktorý by mohol ovplyvniť činnosť el. náradia. V prípade poškodenia treba el. náradie pred ďalším použitím opraviť.** Mnohé nehody sú spôsobené nesprávnym udržiavaným el. náradím.
- **Udržiavajte rezné náradie ostre a čisté.** Správne udržiavané náradie s ostrými hranami je menej náchylné na zaseknutie a je ľahšie ovládateľné. Rukoväte udržiavajte čisté a suché, aby ste si zachovali kontrolu nad náradím.
- **El. náradie, príslušenstvo a nástavce náradia používajte v súlade s týmito pokynmi a spôsobom určeným pre konkrétny typ el. náradia, pričom zohľadňujte pracovné podmienky a prácu, ktorú treba vykonať.** Použitie el. náradia na činnosti odlišné od zamýšľaných by mohlo spôsobiť nebezpečnú situáciu.
- **Pri použití rukavíc dbajte na to, aby dané rukavice umožňovali ľahké uvoľnenie spúšťacieho mechanizmu.** Môže dôjsť k poraneniu osôb.
- **Neodstraňujte akékoľvek štítky a označenia z náradia. Poškodený štítko a označenie vždy vymeňte.** Štítky a označenia obsahujú informácie potrebné na bezpečné použitie výrobku.

### Použitie a starostlivosť o batériu

- **Nabíjajte iba nabíjačkou určenou výrobcom.** Nabíjačka vhodná pre jeden typ akumulátora, môže pri použití s iným akumulátorom spôsobiť požiar.
- **El. náradie používajte iba so špeciálne určenými akumulátormi.** Použitie akéhokoľvek iného akumulátora môže spôsobiť riziko zranenia a požiaru.
- **Ak akumulátory nie sú v prevádzke, držte ich mimo iných kovových predmetov ako sú napríklad: papierové sponky, mince, kľúče, kľince, skrutky alebo iné drobné kovové predmety, ktoré môžu navzájom spojiť a tým skratovať elektrické póly akumulátorov.** Skratovanie elektrických pólov akumulátorov môže spôsobiť popáleniny alebo požiar.
- **Za nepriaznivých podmienok môže z akumulátorov vytekať kvapalina; vyhňte sa kontaktu s ňou. V prípade náhodného kontaktu dané miesto opláchnite vodou. Ak sa kvapalina dostane dokonca do očí, vyhľadajte lekársku pomoc.** Kvapalina vytečená z batérie môže spôsobiť podráždenie alebo popáleniny.
- **Pred vkladáním akumulátora zabezpečte, aby bol vypínač vypnutý.** Vkladanie akumulátora do el. náradia so zapnutým vypínačom vyvolá nehodu.
- **Odpojte batériovú jednotku z nástroja alebo prepnite spínač do uzamknutej polohy vypnutia pred vykonaním akýchkoľvek úprav alebo výmenou príslušenstva.** Tieto preventívne bezpečnostné opatrenia znižujú riziko náhodného spustenia náradia.
- **Elektrické nástroje sa prehrievajú, ak sa ponechajú zapnuté, keď je motor nástroja kriticky preťažený, zabrzdzený alebo je inak blokován jeho otáčaním. V takomto prípade vypnite nástroj.** Pokračovanie v napájaní nástroja v takomto stave môže mať za následok žiar, dym alebo požiar s ujmom na zdraví alebo na majetku.
- **Odpojte jednotku batérií z nástroja pred uskladnením nástroja alebo jeho umiestnením do nástrojovej skrinky alebo vrečka. Náhodné spustenie počas uskladnenia alebo prepravy môže spôsobiť niekoľko rizikových podmienok vrátane prehriateho nástroja.** Nekontrolované narábanie s nástrojom môže spôsobiť rôzne nebezpečenstvá vrátane žiaru, dymu a požiaru.
- **Neblokujte diery puzdra pre priechod chladiaceho vzduchu, pretože by sa mohol nástroj prehriať.** Používanie nástroja v takomto stave môže mať za následok žiar, dym alebo požiar s ujmom na zdraví alebo na majetku.
- **Nástroj sa môže prehriať pri súvislom používaní alebo pri iných vážnych pracovných cykloch. Okamžite zastavte prevádzku a nechajte nástroj vychladnúť, ak sa niektorá časť prístroja príliš prehreje a nebude sa dať chytiť alebo ak začne z motora vychádzať dym.** Pokračovanie v používaní nástroja za týchto podmienok spôsobí poškodenie nástroja a môže mať za následok poranenie alebo poškodenie majetku v dôsledku žiaru alebo ohňa.
- **Okamžite zastavte prevádzku a vymeňte akumulátorom, ak sa tento príliš prehreje pri používaní alebo ak má veľmi krátky čas použitia.** Tieto akumulátory majú obvyčajne veľkú kapacitu cyklov nabíjania/vybíjania alebo môžu byť staré, či poškodené. Pokračovanie v používaní slabej batérie môže mať za následok poranenie alebo poškodenie majetku v dôsledku žiaru, ohňa alebo explózie.
- **Neupravujte náradie, bezpečnostné zariadenie alebo príslušenstvo.** Neodborné upravovanie môže spôsobiť zásah el. prúdom alebo zranenie.
- **Používajte iba príslušenstvo odporúčané pre váš model firmou Ingersoll Rand.** Príslušenstvo vhodné pre jedno náradie môže byť nebezpečné pri používaní na inom náradí.
- **Neodstraňujte akékoľvek štítky a označenia z náradia. Poškodený štítko a označenie vždy vymeňte.** Štítky a označenia obsahujú informácie potrebné na bezpečné použitie výrobku.

### Servis

- **Servis el. náradia dajte vykonať kvalifikovanej osobe, ktorá používa iba identické náhradné diely.** Taktto zabezpečíte zachovanie bezpečnosti el. náradia.
- **Pri obsluhu náradia používajte len originálne náhradné diely Ingersoll Rand a dodržiavajte pokyny na údržbu.** Použitie neautorizovaných náhradných dielov alebo nedodržanie Pokynov na údržbu môžu spôsobiť zásah el. prúdom alebo poranenie.
- **Batérie nevystavujte ohňu, spaľovaniu či ohrevu nad 100 °C (212 °F).** V prípade nesprávneho zaobchádzania batérie predstavujú riziko požiaru alebo chemických spálenín.
- **Batérie recyklujte alebo zlikvidujte v súlade so všetkými príslušnými predpismi a normami (miestne, štátne, regionálne, federálne, atď.).** Nesprávna likvidácia akumulátorov môže ohroziť životné prostredie.

**VAROVANIE****Špeciálne Bezpečnostné Predpisy pre Výrobok**

- **Počas vykonávania operácie držte náradie za izolovanú uchytávacie povrchy, pretože rezučí nástroj môže zasiahnuť skrytý elektroinštaláciu.** Dotyk so "živou" elektroinštaláciou "oživi" aj kovové časti náradia a môže vyvolať zásah el. prúdom obsluhy.
- **Pri modeloch s obojsmerným otáčaním pred spustením skontrolujte smer pozície prepínača smeru otáčania.** Poznanie smeru otáčania zlepšuje riadenie náradia.
- **Používajte len príklepové objímky a príslušenstvo.** Nepoužívajte ručné (chrómované) ut'ahovacie hlavice/orechy ani príslušenstvo. Môžu počas používania prasknúť a spôsobiť poranenie.
- **Pravidelne kontrolujte upínací hriadeľ, aby ste sa uistili, či upínanie ut'ahovacích hlavíc/ orechov funguje správne a či výstupný hriadeľ alebo ut'ahovacia hlavica/orech nie sú nadmerne opotrebované.** Ktorákoľvek z týchto porúch môže spôsobiť vypadnutie ut'ahovacej hlavice/orechu počas otáčania výstupného hriadela náradia.
- **Rázové ut'ahovky nie sú momentovými kľúčmi. Spojte vyžadujúce určité krútiaci moment musia byť po inštalácii s použitím rázového ut'ahovaku skontrolované meracím zariadením na meranie krútiaceho momentu.** Nesprávne utiahnutý spoj sa môže uvoľniť a spôsobiť poranenie.
- **Náradie nesmie byť používané v situáciách, keď prekážky udržiavať vypínač/spúšť v polohe zapnuté,(on)“.** Nebudete schopní náradie vypnúť.
- **Nemierte lúčom do očí osoby ani zvierata.** Jasné svetlo môže poškodiť zrak.

**Bezpečnostné informácie o výrobku: Akumulátor****Popis výrobku**

Batéria je zariadenie umožňujúce ukladanie elektrickej energie, ktorá sa používa ako zdroj napájania pre bezdrôtové výrobky **Ingersoll Rand**.

**VAROVANIE****Všeobecné výstrahy o bezpečnosti akumulátora**

- **Výstraha! Prečítajte si všetky bezpečnostné výstrahy a pokyny.** Opomenutie dodržiavať výstrahy a pokyny môže mať za následok zasiahnutie elektrickým prúdom, požiar a/alebo vážne poranenie.
- **Všetky výstrahy a pokyny uschovajte pre možnú potrebu v budúcnosti.**
- **Tieto bezpečnostné pokyny je potrebné sprístupniť všetkým osobám, ktoré budú tento výrobok používať.** Nedodržanie predpisov a noriem môže spôsobiť zranenie osôb.
- **Tento výrobok vždy inštalujte, prevádzkujte, kontrolujte a udržiujte v súlade so všetkými platnými normami a predpismi (miestne, štátne, regionálne, federálne, atď.).** Dodržiavanie všetkých predpisov je vašou povinnosťou. Nedodržanie predpisov a noriem môže spôsobiť zranenie osôb.
- Výraz "náradie" vo výstrahách označuje náradie napájané akumulátorom (bez kábla).

**Elektrická bezpečnosť**

- **Akumulátory ani náradie nevystavujte dažďu ani vlhkým podmienkam.** Ak sa do akumulátora alebo náradia dostane voda, hrozí zvýšené nebezpečenstvo zásahu elektrickým prúdom.

**Osobná bezpečnosť**

- **Tento výrobok, bezpečnostné zariadenie ani príslušenstvo neupravujte.** Neodborné vykonávanie úprav môže spôsobiť elektrický šok, požiar alebo poranenie osoby.

**Používanie a údržba akumulátorov a náradia**

- **Nepoužívané akumulátory a náradie uložte mimo dosah detí a nedovoľte osobám, ktoré nepoznajú zásady používania akumulátora alebo náradia alebo si neprečítali tieto pokyny, aby používali akumulátor alebo náradie.** Akumulátory a náradie môžu byť v rukách neskúseného používateľa nebezpečné.
- **Akumulátor, náradie, príslušenstvo, nástavce a iné súčasti používajte len v súlade s týmito pokynmi a vždy berte do úvahy pracovné podmienky a konkrétnu úlohu, ktorú chcete vykonať.** V prípade použitia batérie alebo náradia na účely iné ako zamýšľané účely môže dôjsť k nebezpečnej situácii.
- **Nabíjajte iba nabíjačkou určenou výrobcom.** Nabíjačka vhodná pre jeden druh akumulátora môže v prípade použitia s iným akumulátorom vytvoriť nebezpečenstvo požiaru. Ďalšie výstrahy týkajúce sa nabíjačky nájdete v príručke s informáciami o nabíjačke.
- **Náradie používajte iba s akumulátormi špeciálne určenými na tento účel.** Používanie iných akumulátorov môže vytvoriť nebezpečenstvo zranenia alebo požiaru.
- **Ak jednotku batériových zdrojov nepoužívate, skladujte ju mimo iných kovových predmetov, ako sú napríklad kancelárske spinky, mince, kľúče, klince, skrutky alebo iné drobné kovové predmety, ktoré môžu vzájomne prepojiť póly batérie.** Skratovanie pólov batérie môže spôsobiť iskrenie, popáleniny alebo požiar.
- **Za nepriaznivých podmienok môže z akumulátorov vytekať kvapalina. Vyhňte sa kontaktu s touto kvapalinou. V prípade náhodného kontaktu opláchnite zasiahnuté miesto vodou. Ak sa kvapalina dostane do očí, vyhľadajte aj lekársku pomoc.** Kvapalina vytečená z akumulátora môže spôsobiť podráždenie alebo popáleniny.
- **Okamžite zastavte prevádzku a vynechte akumulátorom, ak sa tento príliš prehreje pri používaní alebo ak má veľmi krátky čas použitia.** Tieto akumulátory majú obvyčajne veľkú kapacitu cyklov nabíjania/vybíjania alebo môžu byť staré, či poškodené. Pokračovanie v používaní slabej batérie môže mať za následok poranenie alebo poškodenie majetku v dôsledku žiaru, ohňa alebo explózie.
- **Neodstraňujte štítky z výrobku. Poškodené štítky vynechte.** Štítky obsahujú informácie potrebné na bezpečné používanie výrobku.
- **Akumulátory nevystavujte mechanickým nárazom.**
- **Ak akumulátor nepoužívate, vyhňte sa nadmerne dlhému nabíjaniu.**
- **Keď náradie nepoužívate, vyberte akumulátor zo zariadenia.**
- **Nepoužívajte akumulátory, ktoré sú fyzicky poškodené.**

## Servis

- **Batérie nevystavujte ohňu, spaľovaniu či ohrevu nad 100 °C (212 °F).** V prípade nesprávneho zaobchádzania batérie predstavujú riziko požiaru alebo chemických spálení.
- **Batérie recyklujte alebo zlikvidujte v súlade so všetkými príslušnými predpismi a normami (miestne, štátne, regionálne, federálne, atď.).** Nesprávna likvidácia akumulátorov môže ohroziť životné prostredie.
- **Neodstraňujte kryt výrobku. Vo vnútri výrobku sa nenachádzajú žiadne súčasti, ktorých servis by bolo možné vykonávať.** Nedodržanie tohto pokynu môže spôsobiť vznik elektrického šoku alebo poranenie osoby.

## Bezpečnostné informácie o výrobku: Nabíjačka akumulátora

### Popis Výrobku

Nabíjačka akumulátorov je elektrické zariadenie, ktoré konvertuje striedavý elektrický prúd na jednosmerný elektrický prúd používaný na nabíjanie akumulátorov.



### VAROVANIE

#### Všeobecné Bezpečnostné Pravidlá

- **Prečítajte si a pochopte všetky pokyny.** Nedodržanie všetkých nižšie uvedených pokynov môže viesť k zásahu el. prúdom, požiaru a/alebo vážneho zranenia.
- **Ste povinní sprístupniť tieto bezpečnostné informácie všetkým, ktorí budú tento výrobok používať.** Nedodržanie predpisov a noriem môže spôsobiť zranenie osôb.
- **Tento výrobok vždy inštalujte, prevádzkujte, kontrolujte a udržiavte v súlade so všetkými platnými normami a predpismi (miestne, štátne, regionálne, federálne atď.).** Dodržiavanie všetkých predpisov je vaša povinnosťou. Nedodržanie predpisov a noriem môže spôsobiť zranenie osôb.
- **V prípade detí je treba dohliadať na to, aby tento výrobok nepoužívali a aby sa s ním nehrali.**
- **Tento výrobok nie je určený na používanie osobami so zníženými fyzickými, zmyslovými alebo mentálnymi schopnosťami, alebo osobami s nedostatočnými skúsenosťami a znalosťami, a to dokiaľ nepracujú pod dozorom alebo na základe pokynov o používaní výrobku vydaných od osoby zodpovednej za ich bezpečnosť.**

#### Bezpečnosť na pracovisku

- **Nabíjačka akumulátorov nepoužívajte vo výbušnom prostredí, ako napríklad v prítomnosti horľavých kvapalín, plynov alebo prachu.** Nabíjačka akumulátorov môže vytvoriť iskry, ktoré môžu zapáliť prach alebo výpary.

#### Elektrická Bezpečnosť

- **Výrobky s dvojitou izoláciou sú vybavené polarizovanou zástrčkou (jedna čepeľ je širšia než druhá). Túto zástrčku možno do polarizovanej zásuvky vložiť len jedným spôsobom. Ak zástrčku nemožno do zásuvky vložiť, otočte zástrčku. Ak ju do zásuvky nemožno vložiť ani po jej otočení, požiadajte kvalifikovaného elektrikára o inštaláciu polarizovanej zásuvky. Zástrčku žiadnym spôsobom nemeňte.** Dvojitá izolácia eliminuje potrebu trojžilového uzemneného napájacieho kábla a uzemneného zdroja napájania.
- **Kábel nepoužívajte na iné účely. Nikdy nepoužívajte kábel na nosenie, ťahanie alebo vyt'ahovanie el. náradia zo zástrčky. Kábel chrániť pred teplom, olejom, ostrými hranami alebo pohybujúcimi sa časťami.** Poškodené alebo zauzlené káble zvyšujú riziko zásahu el. prúdom.
- **Akumulátormi napájaný prístroj so zabudovanými akumulátormi alebo so samostatnou jednotkou akumulátora možno nabíjať len pomocou určenej nabíjačky akumulátorov.** Nabíjačka vhodná pre jeden typ akumulátora, môže pri použití s iným akumulátorom spôsobiť požiar.
- **Nabíjačka je iba pre interiérové použitie. Nabíjačku nevystavujte dažďu. Nabíjačku nepoužívajte vo vlhkom alebo mokrom prostredí.** Môže dôjsť k zásahu el. prúdom alebo k zraneniu.
- **Používajte len špecifikované napájacie napätie.** Nesprávne napätia môže spôsobiť zásah el. prúdom, požiar, nesprávne fungovanie alebo zranenie.
- **Nedotýkajte sa el. pólov nabíjačky akumulátorov prstami, drôtom alebo iným vodivým materiálom. Pripájajte ju iba k schválenému akumulátoru Ingersoll Rand.** Môže dôjsť k zásahu el. prúdom alebo k zraneniu.
- **Nepokúšajte sa nabíjať akumulátory, ktoré nie sú nabíjateľné.** Môže vzniknúť elektrický šok alebo poranenie osoby.

#### Osobná Bezpečnosť

- **Tento výrobok, bezpečnostné zariadenie ani príslušenstvo neupravujte.** Neodborné upravovanie môže spôsobiť zásah el. prúdom alebo zranenie.
- **Nepoužívajte tento výrobok na iné účely, než na ktoré je určený.** Môže to spôsobiť zásah el. prúdom, požiar alebo zranenie.
- **Nabíjačku pred pripojením k zdroju napájania umiestnite do stabilnej polohy.** Nabíjačku uskladňujte mimo dosahu detí. Nesprávne umiestnenie alebo použitie výrobku det'ami môže spôsobiť zásah el. prúdom, požiar alebo zranenie.

#### Používanie a Starostlivosť

- **Nikdy nepoužívajte poškodenú alebo pokazenú nabíjačku. Okamžite odpojte nabíjačku a dajte ju opraviť alebo vymeniť.** Ďalšie používanie môže spôsobiť zásah el. prúdom, požiar alebo zranenie.
- **Neodstraňujte akékoľvek štítky a označenia z náradia. Poškodený štítko a označenie vždy vymeňte.** Štítky a označenia obsahujú informácie potrebné na bezpečné použitie výrobku.

#### Servis

- **Servis musí vykonávať iba oprávnené servisné stredisko spoločnosti Ingersoll Rand alebo podobne kvalifikovaný personál.** Servis alebo údržba náradia vykonávané nekvalifikovanou osobou môže vyústiť do rizika poranenia.
- **Neodstraňujte kryt výrobku. Vo vnútri výrobku sa nenachádzajú žiadne súčasti, ktorých servis by bolo možné vykonávať.** Môže dôjsť k zásahu el. prúdom alebo k zraneniu.
- **Ak je napájací kábel poškodený, musí ho vymeniť oprávnené servisné stredisko spoločnosti Ingersoll Rand alebo podobne kvalifikovaný personál.** Poškodené a nesprávne nainštalované káble zvyšujú riziko zásahu el. prúdom.

**OZNÁMENIE**

Bezpečnostné pokyny pre príslušný model nájdete v príručke Informačný manuál o výrobku.

**Označenie Bezpečnostných Symbolov**

Nebezpečenstvo výbuchu.  
Dodržiavajte všetky bezpečnostné postupy  
na používanie.



Používajte  
ochranu očí



Používajte ochranu  
sluchu



Než začnete výrobok používať,  
prečítajte si príručku.



(Výkres 16589525)

**Bezpečnostné Informácie – Vysvetlenie Bezpečnostných Signálov****⚠ NEBEZPEČENSTVO**

Označuje hroziacu nebezpečnú situáciu, ktorá v prípade, že sa jej nezabráni, bude mať za následok smrť alebo vážny úraz.

**⚠ VAROVANIE**

Označuje potenciálne nebezpečenstvo, ktoré v prípade, že sa mu nezabráni, môže mať za následok smrť alebo vážne poranenie osoby.

**⚠ VÝSTRAHA**

Označuje potenciálnu hroziacu situáciu, ktorá v prípade, že sa jej nezabráni, môže skončiť ľahkým alebo ťažším úrazom alebo zničením majetku.

**OZNÁMENIE**

Označuje informácie alebo vyhlásenia spoločnosti, ktoré priamo alebo nepriamo súvisia s bezpečnosťou osôb alebo ochranou majetku.

**Popis Dielov Výrobku****⚠ VÝSTRAHA**

Použitie iných náhradných dielov, než originálnych dielov Ingersoll Rand môže priniesť riziká z hľadiska bezpečnosti, môže mať za následok zníženie výkonnosti náradia a zvýšenie nárokov na údržbu a tiež zrušenie všetkých záruk.

Opravy môžu vykonávať len oprávnení školení pracovníci. V prípade otázok sa obráťte na autorizované servisné centrum spoločnosti Ingersoll Rand.

Originál pokynov je v angličtine. Texty v ostatných jazykoch sú prekladom originálu pokynov.

Návody si môžete stiahnuť z webovej adresy [ingersollrandproducts.com](http://ingersollrandproducts.com).

Všetku komunikáciu a všetky otázky adresujte na najbližšiu kanceláriu **Ingersoll Rand** alebo na distribútora.

## Popis Produktu

Akumulátorový rázový utahovák je akumulátorem napájené ruční pracovní nářadí, které používá rotační rázy pro utahování a povolování závitových spojů přes speciálně tvrzené rázové utahovací hlavice/ořechy.

## VAROVÁNÍ

### Všeobecná Bezpečnostní Pravidla

- **Varování!** Pročtěte si všechny pokyny. Pokud nebudou všechny níže uvedené pokyny dodrženy, může dojít k úrazu elektrinou, požáru a nebo vážným poraněním osob. Veškerá upozornění a pokyny uchovejte pro budoucí použití. Termín "pracovní nářadí" ve všech níže uvedených varováních se týká elektrického nástroje zapojeného do vaší sítě (napájeného kabelem) nebo elektrického nástroje využívajícího baterii (bateriového).
- **Jste povinni uložit instrukce tak, aby byly k dispozici všem, kteří budou tento výrobek používat.** Pokud nebudou dodrženy normy a předpisy, může dojít ke zranění osob.
- **Tento výrobek vždy instalujte, provozujte, kontrolujte a udržujte v souladu se všemi platnými normami a předpisy (místní, státní, federální atd.).** Dodržení předpisů je vaše zodpovědnost. Pokud nebudou dodrženy normy a předpisy, může dojít ke zranění osob.

### Bezpečnost na pracovišti

- **Udržujte pracovní prostor čistý a dobře osvětlený.** Přeplněné pracovní stoly a tmavá místa jsou ideálním prostředím pro nehody.
- **Nepoužívejte pracovní nářadí ve výbušné atmosféře, například v přítomnosti hořlavých tekutin, plynů nebo prachu.** Pracovní nářadí vytvářejí jiskry, které mohou způsobit vznícení prachu nebo výparů.
- **Při používání pracovního nářadí zabraňte přístupu dětem a přihlížejícím.** Při vyrušení můžete ztratit kontrolu nad nářadím.
- **Dejte pozor na zasypané a skryté předměty a další nebezpečí, která se mohou vyskytnout v pracovním prostředí. Dejte pozor, abyste se nedostali do kontaktu nebo nepoškodili kabely, vodiče, trubky nebo hadice, které mohou obsahovat elektrické dráty, výbušný plyn nebo škodlivé kapaliny.** Může dojít k zasažení elektrickým proudem, požáru nebo zranění osob.

### Bezpečnost Týkající se Elektřiny

- **Zástrčka pracovního nářadí musí odpovídat zásuvce. Zástrčku žádným způsobem nikdy neupravujte. Nepoužívejte s uzemněným pracovním nářadím žádné rozvodné zástrčky.** Budete-li používat nemodifikované zástrčky a odpovídající zásuvky, omezíte riziko zásahu elektrickým proudem.
- **Vyvarujte se tělesného kontaktu s uzemněnými povrchy, jako jsou radiátory, potrubí, sporáky a lednice.** Je-li vaše tělo uzemněno, je vyšší riziko úrazu elektrickým proudem.
- **Nevystavujte elektrické nástroje dešti nebo vlhkým podmínkám.** Voda, která se dostane do zařízení, zvyšuje riziko úrazu elektrickým proudem.
- **Nenamáhejte šňůru. Nikdy pracovní nářadí pomocí šňůry nepřenášejte, nevěste ani nevytahujte ze zásuvky. Udržujte šňůru z dosahu tepla, oleje, ostrých hran nebo pohyblivých částí.** Poškozená či zamotaná šňůra zvyšuje nebezpečí úrazu elektrinou.
- **Používáte-li pracovní nářadí v terénu, použijte prodlužovací kabel vhodný pro venkovní použití.** Použití kabelu vhodného pro venkovní užívání omezuje riziko úrazu elektrickým proudem.
- **Pokud je nutné používat elektrické nářadí ve vlhkém prostředí, použijte zdroj chráněný proudovým chráničem.** Využití proudového chrániče snižuje riziko zásahu elektrickým proudem.
- **Vždy používejte uvedené napájecí napětí.** Nesprávné napětí může způsobit úraz elektrickým proudem, nenormální provoz a může dojít ke zranění osob.
- **Ujistěte se, že všechny elektrické šňůry a kabely jsou správně dimenzovány a že všechny zástrčky a konektory jsou pevně zajištěny.** Poddimenzované vodiče a volné přípojky mohou způsobit úraz elektrickým proudem, požár a může dojít ke zranění osob.

### Osobní Bezpečnost

- **Při používání pracovního nářadí stroje buďte ostražití, sledujte svoji činnost a používejte zdravý rozum. Nepoužívejte pracovní nářadí, pokud jste unaveni nebo pod vlivem droge, alkoholu nebo léků.** Chvilka nepozornosti při používání pracovního nářadí může mít za následek vážné zranění.
- **Používejte bezpečnostní vybavení. Vždy používejte ochranu očí.** Při odpovídajících podmínkách je nutné používat bezpečnostní pomůcky, například protiprachovou masku/respirátor, protiskluzovou bezpečnostní obuv, příbhu nebo ochranu sluchu. Omezíte tak osobní zranění.
- **Zamezte náhodnému spuštění. Než nástroj zapojíte do proudu, ujistěte se, že spínač je v poloze vypnuto.** Přenášení pracovních nástrojů s prstem na vypínači nebo zapojování nástrojů se zapnutým vypínačem zvyšuje možnost úrazu.
- **Před zapnutím pracovního nástroje odstraňte jakékoliv stavěcí klíny nebo klíče.** Při ponechání klíče nebo klínu připevněného k rotační části nástroje může dojít ke zranění.
- **Nesnažte se dosáhnout co nejdále. Vždy udržujte vhodný postoj a rovnováhu.** To umožňuje pracovní nástroj snáze ovládat v nečekaných situacích.
- **Oblečte se vhodně. Nenoste volné oblečení nebo šperky. Zajistěte dlouhé vlasy. Udržujte vlasy, volné oblečení a rukavice mimo pohyblivé části.** Volné oblečení, šperky nebo dlouhé vlasy mohou být pohyblivými částmi zachyceny.
- **Pokud jsou k dispozici zařízení pro připojení nástrojů pro zachycování a sběr prachu, zajistěte, aby byly tyto připojeny a řádně používány.** Používáním těchto zařízení můžete omezit rizika spojená s přítomností prachu.
- **Pro upevnění opracované části k stabilní podložce použijte svorky nebo jiný praktický způsob.** Držení předmětu rukou nebo proti tělu může být nestabilní a vést ke ztrátě kontroly.
- **Dejte pozor, abyste nebyli vystaveni působení škodlivého prachu nebo jej a částice uvolněné brusným nástrojem nevedchovali.**
  - V některých případech může prach vytvořený při tryskání pískem, řezání, broušení, vrtní a dalších stavebních aktivitách obsahovat chemikálie, které způsobují rakovinu, genetické vady nebo další reprodukční problémy. Mezi takové chemikálie patří:
    - olovo z olovnatých barev,
    - krystalický křemík z cihel, cementu a dalších stavebních produktů,
    - arsenik a chróm z chemicky upravených dřevěných trámů.
  - Míra rizika se liší v závislosti na tom, jak často provádíte tento typ práce. Riziko snižíte následovně: pracujte v dobře větraném prostoru,

použijte schválené bezpečnostní zařízení, např. protiprachové masky/respirátory speciálně navržené pro odfiltrování mikroskopických částic.

- **Jestliže máte nepříjemné pocity, mravenčení nebo cítíte bolest, přestaňte s nástrojem pracovat.** Vibrace, opakovaný pohyb nebo nepohodlné pracovní polohy mohou být škodlivé pro vaše ruce nebo paže. Pracovní nářadí může při použití vibrovat. Před dalším použitím navštivte lékaře.
- **Vibrace během používání elektrického nářadí se mohou na základě způsobu použití nářadí lišit od stanovené hodnoty.** Abyste ochránili obšluchu, přijímáte vhodná bezpečnostní opatření založená na předpokládaném vystavení během používání.
- **Zabraňte kontaktu s pohyblivými částmi nářadí.** Nářadí a/nebo příslušenství mohou po odpojení napájení pokračovat krátce v pohybu a způsobit tak nebezpečí zaplétání nebo jiného poranění.

### Používání Pracovního Nářadí a Péče o Nj

- **Nepoužívejte nářadí k práci, ke které není určeno. Pro dané použití použijte správné nářadí.** Správné nářadí provede práci lépe a bezpečněji s rychlostí, pro kterou je určeno.
- **Nepoužívejte nástroj, pokud jej vypínač nezapíná nebo nevypíná.** Nářadí, které nelze ovládat vypínačem, je nebezpečné a je nutné jej opravit.
- **Před prováděním jakýchkoli změn nastavení, výměnou příslušenství nebo uskladněním nářadí odpojte nářadí od zdroje napájení.** Tato preventivní bezpečnostní opatření snižují riziko náhodného spuštění nářadí.
- **Přechnovávejte nepoužívané pracovní nářadí mimo dosah dětí a zabraňte osobám, které s pracovním nářadím nebo těmito pokyny nejsou obeznámené, ho používat.** Nářadí jsou v rukách nezaškolených osob nebezpečné.
- **Udržujte pracovní nářadí Zkontrolujte, zda nedošlo k vychylení nebo uvíznutí pohyblivých částí, zlomení částí nebo jinému stavu, který by mohl ovlivnit činnost nářadí. Pokud je nářadí poškozeno, dejte jej před dalším použitím opravit.** Mnoho nehod je způsobeno špatnou údržbou nářadí.
- **Udržujte řezací nástroje ostré a čisté.** Správně udržované nástroje s ostrými řeznými hranami jsou méně náchylné k uvíznutí a jdou snadněji ovládat. Pro zachování kontroly udržujte rukojeť čistou a suchou.
- **Používejte pracovní nářadí, příslušenství, součásti nářadí atd. v souladu s těmito pokyny a způsobem, který byl pro daný druh pracovního nářadí zamýšlen. Berte přitom v potaz pracovní podmínky a práci, již je třeba vykonat.** Jiné použití pracovního nářadí, než pro které bylo zamýšleno, může vést k nebezpečným situacím.
- **Při volbě rukavic dbejte na to, aby dané rukavice umožňovaly snadné uvolnění spouštěcího mechanismu.** Může dojít ke zranění osob.
- **Z výrobku neodstraňujte žádné štítky. Poškozený štítek vždy vyměňte.** Na štítcích jsou uvedeny informace nutné pro bezpečné používání výrobku.

### Používání a péče o baterii

- **Dobíjejte pouze nabíječkou v souladu se specifikacemi výrobce.** Nabíječka vhodná pro určitý typ akumulátorů může způsobit nebezpečí požáru při použití s jiným akumulátorem.
- **Používejte pracovní nářadí pouze s konkrétně určenými akumulátory.** Použití jiných baterií může způsobit nebezpečí poranění nebo požáru.
- **Pokud se akumulátor nepoužívá, udržujte jej stranou jiných kovových předmětů, například: kancelářské sponky, mince, klíče, hřebíky, šrouby nebo jiné malé kovové předměty, které by mohly propojit jeden přípojovací pól zakončení s druhým.** Zkratování přepojovacích pólů akumulátorů baterie může způsobit, popálení nebo požár.
- **Pokud se při nesprávném zacházení z akumulátoru uvolní tekutina, vyhněte se kontaktu s ní. Pokud náhodou dojde ke kontaktu, opláchněte dané místo vodou. Pokud dojde ke i kontaktu tekutiny s očima, vyhledejte lékařskou pomoc.** Tekutina vytékající z baterie může způsobit podráždění či popálení.
- **Před vložením akumulátorů se ujistěte, že je vypínač v poloze vypnuto.** Vkládání akumulátorů do pracovního nářadí se zapnutým spínačem zvyšuje pravděpodobnost nehod.
- **Před prováděním úprav nebo výměnou příslušenství odpojte od nářadí akumulátor nebo přepněte vypínač do uzamčené polohy vypnuto.** Tato preventivní bezpečnostní opatření snižují riziko náhodného spuštění nářadí.
- **Elektrické nářadí se přehřívá, pokud zůstane zapnuté při nadměrném zatížení motoru, zastavení nebo jiném bránění v otáčení. Pokud tento případ nastane, nářadí vypněte.** Další napájení nástroje v tomto stavu může způsobit zahřátí, dým nebo požár se zraněním osob nebo poškozením majetku.
- **Před uskladněním nástroje nebo uložením do bedny nebo brašny na nářadí odpojte akumulátor od nářadí. Náhodné spuštění během skladování nebo přepravy může způsobit různé nebezpečné stavy včetně přehřátí nářadí.** Nekontrolovaná činnost nářadí může způsobit různá rizika včetně zahřívání, dýmu nebo požáru.
- **Nezakrývejte větrací otvory pouzdra, aby se nástroj nepřehříval.** Používání nástroje v tomto stavu může způsobit zahřátí, dým nebo požár se zraněním osob nebo poškozením majetku.
- **Nástroj se může přehřívat při nepřerušném používání nebo při pracovních cyklech s velkým zatížením. Pokud je některá součást nástroje příliš horká na dotek nebo při jakékoli známce dýmu z motoru ihned nástroj vypněte a nechte jej vychladnout.** Další používání nástroje v tomto stavu způsobí jeho poškození a může mít za následek zranění osob nebo poškození majetku způsobeném horkem nebo požárem.
- **Ihned přestaňte používat a vyměňte akumulátor, který se při používání nadměrně zahřívá nebo jehož doby použití jsou velmi krátké.** Obvykle mají tyto akumulátory vysoký počet nabíjecích cyklů nebo mohou být staré či poškozené. Při dalším používání znehodnoceného akumulátoru může dojít ke zranění osob nebo poškození majetku způsobeném horkem, požárem nebo výbuchem.
- **Nářadí, bezpečnostní zařízení nebo příslušenství neupravujte.** Nepovolené úpravy mohou způsobit úraz elektrinou, požár nebo zranění osob.
- **Používejte pouze příslušenství, které je danému modelu doporučeno společností Ingersoll Rand.** Příslušenství, které je vhodné pro jedno nářadí, může být nebezpečné při použití s jiným nářadím.
- **Z výrobku neodstraňujte žádné štítky. Poškozený štítek vždy vyměňte.** Na štítcích jsou uvedeny informace nutné pro bezpečné používání výrobku.

### Servis

- **Vaše pracovní nářadí musí opravovat kvalifikovaný opravář pomocí pouze identických náhradních dílů.** Tím se zajistí uje pokračující bezpečnost pracovního nářadí.

- **Při opravě nástroje používejte pouze originální náhradní díly společnosti Ingersoll Rand a dodržujte všechny pokyny pro údržbu.** Použití neschválených dílů nebo nedodržení pokynů pro údržbu může mít za následek nebezpečí úrazu elektrickým proudem nebo zranění.
- **Nevhazujte baterie do ohně, nespalujte je ani nezahřívejte nad 100 °C (212 °F).** Při nesprávném zacházení představují baterie riziko požáru nebo poleptání chemikáliemi.
- **Baterie zodpovědně recyklujte nebo likvidujte v souladu se všemi platnými normami a předpisy (místními, státními, federálními atd.).** Při nesprávné likvidaci může dojít k ohrožení životního prostředí.

### VAROVÁNÍ

#### Bezpečnostní Pravidla pro Daný Výrobek

- **Při práci, kdy může dojít ke kontaktu řezacího nástroje se skrytým vedením, držte nářadí na izolovaných místech pro držení.** Při kontaktu s "živým" drátem budou odkryté kovové části nástroje také "živé" a dojde ke zranění uživatele.
- **U modelů s možností reverzu si před použitím všimněte polohy přepínače reverzního mechanismu.** Znalost směru rotace je užitečná při udržování kontroly nad nářadím.
- **Používejte pouze rázové utahovací hlavice a příslušenství.** Nepoužívejte ruční (chromové) utahovací hlavice/ořechy nebo příslušenství. Mohly by se při používání rozbit a způsobit zranění.
- **Pravidelně kontrolujte výstupní poháněnou hřídel nářadí a ujistěte se, že držák uthavovacích hlavíc/ořechů funguje správně a že utahovací hlavice/ořech a výstupní hřídel nejsou příliš opotřebené.** V opačném případě by mohlo dojít k uvolnění utahovací hlavice/ořechu při otáčení.
- **Rázové utahovávky nejsou momentové klíče. Spojení vyžadující určitý utahovací krouticí moment musí být po upevnění utahovákem zkontrolována momentovým klíčem, nebo měřičem krouticího momentu.** Nesprávně utažené spoje se mohou uvolnit a způsobit zranění.
- **Pokud mohou překážky udržovat spoust' nářadí v poloze zapnuto, nesmí se nářadí v takovém případě použít.** Možná byste nemohli nářadí vypnout.
- **Nesvíte světlem do očí osob nebo zvířat.** Ostré světlo může poranit oči.

#### Bezpečnostní informace o výrobku: Baterie

##### Popis produktu

Baterie je elektrické akumulární zařízení používané jako zdroj energie pro bezdrátové produkty společnosti Ingersoll Rand.

### VAROVÁNÍ

#### Obecná bezpečnostní varování týkající se baterie

- **Varování!** Přečtete si všechna bezpečnostní upozornění a pokyny. Nedodržení upozornění a pokynů může způsobit zásah elektrickým proudem, vznik požáru nebo vážné poranění.
- **Veškerá upozornění a pokyny uchovejte pro budoucí použití.**
- **Jste zodpovědní za uložení těchto bezpečnostních informací na takovém místě, aby byly k dispozici všem, kteří budou s tímto produktem pracovat.** Pokud nebudou dodrženy normy a předpisy, může dojít ke zranění osob.
- **Tento produkt vždy instalujte, provozujte, kontrolujte a udržujte v souladu se všemi platnými normami a předpisy (místní, státní, federální atd.).** Za dodržení předpisů jste zodpovědní. Pokud nebudou dodrženy normy a předpisy, může dojít ke zranění osob.
- Pojem "elektrický nástroj" označuje v části vyhrazené varování (bezdrátový) elektrický nástroj na baterie.

#### Bezpečnost týkající se elektriny

- **Nevstavujte baterie ani elektrické nástroje dešti nebo vlhkosti.** Pokud vnikne do baterie nebo elektrického nástroje voda, hrozí nebezpečí úrazu elektrickým proudem.

#### Osobní bezpečnost

- **Tento produkt, bezpečnostní zařízení ani příslušenství neupravujte.** Nepovolené úpravy mohou způsobit zasažení elektrickým proudem, požár nebo zranění osob.

#### Použití a péče o baterie a elektrické nástroje

- **Baterie a elektrické nástroje, které nepoužíváte, skladujte mimo dosah dětí a zajistěte, aby je nepoužívaly osoby, které nejsou seznámeny se způsobem jejich použití a těmito pokyny.** Baterie a elektrické nástroje mohou být v rukou neškolených osob nebezpečné.
- **Používejte baterie, elektrické nástroje, příslušenství a nářadí v souladu s těmito pokyny a vždy zohledněte pracovní podmínky a činnost, kterou máte provést.** Baterie a elektrické nástroje nepoužívejte jinak než k původně zamýšlenému účelu, může to být nebezpečné.
- **Dobíjejte pouze nabíječkou doporučenou výrobcem.** Pokud používáte nabíječku vhodnou pro určitý typ akumulátorů s jiným akumulátorem, hrozí nebezpečí požáru. Další varování týkající se použití nabíječky naleznete v příručce s pokyny k nabíječce.
- **Používejte elektrické nástroje pouze s konkrétní určenými akumulátory.** Při použití jiných akumulátorů hrozí riziko poranění osob a požáru.
- **Pokud se baterie nepoužívá, udržujte ji z dosahu jiných kovových předmětů, jako jsou například: kancelářské sponky, mince, klíče, hřebíky, šrouby nebo jiné malé kovové předměty, které by mohly propojit jeden nabíjecí hrot s druhým.** Zkratování hrotů baterie může způsobit jiskry, popálení nebo požár.
- **Pokud se při nesprávném zacházení z akumulátoru uvolní tekutina, vyhněte se kontaktu s ní. Pokud dojde k náhodnému kontaktu, opláchněte dané místo vodou. Pokud kapalina zasáhne oči, ihned vyhledejte lékaře.** Tekutina vytékající z baterie může vyvolat podráždění či popálení.
- **Inhed přestaňte používat a vyměňte akumulátor, který se při používání nadměrně zahřívá nebo jehož doby použití jsou velmi krátké.** Obvykle mají tyto akumulátory vysoký počet nabíjecích cyklů nebo mohou být staré či poškozené. Při dalším používání znehodnoceného akumulátoru může dojít ke zranění osob nebo poškození majetku způsobeném horkem, požárem nebo výbuchem.

- **Z přístroje neodstraňujte žádné štítky. Veškeré poškozené štítky vyměňte.** Na štítcích jsou uvedeny informace nutné pro bezpečné používání produktu.
- **Nevystavujte baterie mechanickým rázům a ořezům.**
- **Nenechávejte baterie nabíjet příliš dlouhou dobu.**
- **Vyměňte baterie ze zařízení, pokud jej delší dobu nepoužíváte.**
- **Poškozené baterie nepoužívejte.**

#### Servis

- **Nevhazujte baterie do ohně, nespalujte je ani nezahřívajte nad 100 °C (212 °F).** Při nesprávném zacházení představují baterie riziko požáru nebo poleptání chemikáliemi.
- **Baterie zodpovědně recyklujte nebo likvidujte ve souladu se všemi platnými normami a předpisy (místními, státními, federálními atd.).** Při nesprávné likvidaci může dojít k ohrožení životního prostředí.
- **Neotvírejte kryt. Uvnitř nejsou žádné uživatelem opravitelné části.** Může dojít k zasažení elektrickým proudem nebo zranění osob.

---

## Bezpečnostní informace o výrobku: Nabíječka baterií

### Popis Produktu

Nabíječka baterií je elektrické zařízení, které převádí střídavý elektrický proud na přímý elektrický proud, který se používá k nabíjení elektrických akumulčních baterií.

---

### VAROVÁNÍ

#### Všeobecná Bezpečnostní Pravidla

- **Přečtěte si a obeznamte se se všemi pokyny.** Pokud nebudou všechny níže uvedené pokyny dodrženy, může dojít k úrazu elektrinou, požáru a nebo vážným poraněním osob.
- **Jste povinni uložit instrukce tak, aby byly k dispozici všem, kteří budou tento výrobek používat.** Pokud nebudou dodrženy normy a předpisy, může dojít ke zranění osob.
- **Tento produkt vždy instalujte, provozujte, kontrolujte a udržujte ve souladu se všemi platnými normami a předpisy (místními, státními, federálními atd.).** Dodržení předpisů je vaše zodpovědnost. Pokud nebudou dodrženy normy a předpisy, může dojít ke zranění osob.
- **Děti mějte pod dohledem, aby bylo jisté, že tento výrobek nepoužívají a ani si s ním nehrají.**
- **Tento výrobek není určen pro osoby se sníženými fyzickými, smyslovými a duševními schopnostmi, nedostatečnou zkušeností a znalostí, pokud nebudou pod dohledem osoby odpovědné za její bezpečnosti nebo nebude postupovat podle jejich pokynů ohledně používání výrobku.**

#### Bezpečnost na pracovišti

- **Nepoužívejte nabíječku baterií ve výbušném ovzduší, například v přítomnosti hořlavých tekutin, plynů nebo prachu.** Nabíječka baterií může vytvářet jiskry, které mohou způsobit vznícení prachu nebo výparů.

#### Bezpečnost Týkající se Elektriny

- **Produkty s dvojitou izolací jsou vybaveny polarizovanou zástrčkou (jedna radlice je širší než druhá). Tuto zástrčku bude možné zasunout do polarizované zásuvky pouze jedním směrem. Pokud nelze zástrčku do zásuvky zasunout celou, otočte ji. Pokud ji ani přesto nelze zasunout, požádejte kvalifikovaného elektrikáře, aby vám nainstaloval polarizovanou zástrčku. Zástrčku žádným způsobem nevyměňujte.** Dvojitá izolace eliminuje potřebu trojvodivového zemního kabelu a uzemnění systému napájení.
- **Nenamáhejte šňůru. Nikdy pracovní nářadí pomocí šňůry nepřenášejte, nevěste ani nevytahujte ze zásuvky. Udržujte šňůru z dosahu tepla, oleje, ostrých hran nebo pohyblivých částí.** Poškozená či zamotaná šňůra zvyšuje nebezpečí úrazu elektrinou.
- **Produkt napájený zabudovanými bateriemi nebo samostatnou bateriovou jednotkou musí být nabíjen pouze nabíječkou určenou pro příslušnou baterii.** Nabíječka vhodná pro určitý typ akumulátorů může způsobit nebezpečí požáru při použití s jiným akumulátorem.
- **Nabíječka slouží pouze pro nevenkovní použití. Nevystavujte nabíječku dešti. Nepoužívejte nabíječku na vlhkých ani mokřích místech.** Může dojít k úrazu elektrinou nebo zranění osob.
- **Vždy používejte uvedené napájecí napětí.** Nesprávné napětí může způsobit úraz elektrickým proudem, nenormální provoz a může dojít ke zranění osob.
- **Nedotýkejte se nabíjecích hrotů baterie prsty, dráty ani jiným vodivým materiálem. Připojte pouze baterie schválené společností Ingersoll Rand.** Může dojít k úrazu elektrinou nebo zranění osob.
- **Nepokoušejte se znovu nabíjet nedobíjitelné baterie.** Může dojít k úrazu elektrinou, požáru nebo zraněním osob.

#### Osobní Bezpečnost

- **Tento výrobek, bezpečnostní zařízení ani příslušenství neupravujte.** Nepovolené úpravy mohou způsobit úraz elektrinou, požár nebo zranění osob.
- **Nepoužívejte tento produkt pro jiné účely, než pro které je určený.** Může dojít k zasažení elektrickým proudem, požáru nebo zraněním osob.
- **Nabíječku před zapojením do elektrického zdroje umístěte do stabilní pozice. Nabíječku uchovte mimo dosah dětí.** Nesprávné umístění nebo používání dětmi může mít za následek zasažení elektrickým proudem, požár nebo zranění osob.

#### Použití a Ošetřování

- **Nikdy nepoužívejte poškozenou nebo nesprávně fungující nabíječku. Nabíječku okamžitě odpojte a nechte ji opravit nebo vyměnit.** Její další používání může způsobit úraz elektrickým proudem, požár nebo zranění osob.
- **Z výrobku neodstraňujte žádné štítky. Poškozený štítek vždy vyměňte.** Na štítcích jsou uvedeny informace nutné pro bezpečné používání výrobku.

## Servis

- **Opravu může provádět pouze autorizovaný opravář Ingersoll Rand nebo podobně kvalifikovaná servisní osoba.** Servis nebo údržba prováděná nequalifikovanými osobami může mít za následek nebezpečí úrazu.
- **Neotvírejte kryt. Uvnitř nejsou žádné uživatelem opravitelné části.** Může dojít k úrazu elektřinou nebo zranění osob.
- **Je-li poškozen napájecí kabel, musí ho vyměnit autorizovaný opravář Ingersoll Rand nebo podobně kvalifikovaná servisní osoba.** Poškozené šňůry a špatně nainstalované kabely zvyšují nebezpečí zasažení elektrickým proudem.

## POZNÁMKA

Bezpečnostní informace pro příslušný model naleznete v příručce s informacemi o výrobku.

### Identifikace Bezpečnostních Symbolů



Nebezpečí výbuchu.  
Dodržujte veškeré bezpečnostní postupy pro použití.



Používejte ochranu očí



Používejte ochranu sluchu



Než začnete produkt používat, přečtěte si příručku



(Výkres 16589525)

### Bezpečnostní Informace – Vysvětlení Bezpečnostních Signálů



#### NEBEZPEČÍ

Označuje bezprostřední nebezpečí, které, pokud nejsou učiněna příslušná opatření, může způsobit smrt nebo vážné poranění osoby.



#### VAROVÁNÍ

Označuje potenciální nebezpečí, které, pokud nebudou učiněna příslušná opatření, by mohlo způsobit smrt nebo vážné poranění osoby.



#### UPOZORNĚNÍ

Označuje potenciální nebezpečí, které, pokud nebudou učiněna příslušná opatření, může způsobit drobné nebo mírné poranění osob nebo škody na majetku.

#### POZNÁMKA

Označuje informace nebo sdělení společnosti, které přímo nebo nepřímo souvisí s bezpečností osob nebo ochranou majetku.

### Popis dílů Výrobku



#### UPOZORNĚNÍ

Použití jiných náhradních dílů než originálních dílů Ingersoll Rand může přinášet rizika z hlediska bezpečnosti, může mít za následek snížení výkonnosti nástroje a zvýšení nároků na údržbu a také zrušení všech záruk.

Opravy by měl provádět pouze autorizovaný školený personál. S dotazy se obraťte na nejbližší autorizované servisní středisko Ingersoll Rand.

Originální návod je v angličtině. Další jazyky jsou překladem originálního návodu.

Příručky si můžete stáhnout z webové stránky [ingersollrandproducts.com](http://ingersollrandproducts.com)

Veškerou komunikaci adresujte na nejbližší kancelář **Ingersoll Rand** nebo na distributora.

## Toote Kirjeldus

Akuga löökmutrikeeraja on aku jõul töötav käsitööriist, mille vahetatavate, erikarastusega võtmepadrunite pöörlevaid lööke kasutatakse keermestatud liidete kinni ja lahti keeramiseks.

### HOIATUS

## Üldised Tööohutusreeglid

- **Hoiatus!** Lugege läbi kõik juhised. Alltoodud juhiste mittejärgimine võib kaasa tuua elektrilöögi, tulekahju ja/või raske vigastuse. Hoidke kõik hoiatused ja juhtnõuired hiljem uuesti läbivaatamiseks alles. Mõiste "elektritööriist" kogu edaspidises hoiatuste loetelus hõlmab nii teie vooluvõrgust (juhtmega) kui ka aku jõul (juhtmeta) töötavaid tööriistu.
- **Teie kohuseks on teha käesolev ohutusteave kättesaadavaks teistele töötajatele, kes toodet kasutama hakkavad.** Standardite ja eeskirjade eiramine võib kaasa tuua kehalise vigastuse.
- **Paigaldage, kasutage, kontrollige ja hoolitage käesolevat toodet kõigi asjakohaste standardite ning (kohalike, piirkondlike, riiklike, föderaalsete jne) eeskirjade kohaselt.** Nõuete täitmine on teie kohuseks. Standardite ja eeskirjade eiramine võib kaasa tuua kehalise vigastuse.

## Tööpiirkonna ohutus

- **Töökoht peab olema puhas ja hästi valgustatud.** Koristamata tööpink ja hämar ruum soodustavad õnnetuste teket.
- **Elektritööriistu ei tohi kasutada plahvatusohtlikus keskkonnas, näiteks kohas, mille läheduses on tuleohtlikke vedelikke, gaase või tolmu.** Elektritööriistad tekitavad sademeid, mis võivad süüdata tolmu ja auru.
- **Hoidke lapsed ja kõrvalised isikud töötavast tööriistast eemal.** Tähelepanu häirimise korral võite kaotada kontrolli.
- **Olge ettevaatlik mattunud, peidetud või muude võimalike riskide suhtes teie töökeskkonnas. Ärge puudutage ega kahjustage juhtmeid, kaablikarbikuid, torusid või voolikuid, mis võivad sisaldada elektriraate, plahvatusohtlikke gaase või kahjulikke vedelikke.** See võib põhjustada elektrilöögi, tulekahju või kehalise vigastuse.

## Elektrialane Ohutus

- **Tööriista pistikuid peavad kokku sobima elektrivoolu väljundkontaktidega. Mitte kunagi ja mitte mingil viisil ärge püüdke pistikuid sobivaks ümber teha. Ärge kasutage adapterpistikuid koos maandatud elektritööriistadega.** Ümber tegemata ja sobilikud väljundid vähendavad elektrilöögi saamise ohtu.
- **Vältige kehalist kontakti maandusega või maandatud pindadega, nagu seda on torud, radiaatorid, elektripliidid ja külmkapid.** Maandatud keha suurendab elektrilöögi riski.
- **Ärge jätke elektritööriistu vihma ega niiskuse kätte.** Elektritööriista sattunud vesi suurendab elektrilöögi riski.
- **Vältige kaabli väärkasutust. Mitte kunagi ärge kasutage toitejuhet teie tööriista kandmiseks, selle ligiõmbamiseks või kontaktpesast lahutamiseks.** Hoidke toitekaabli eemal kuumusest, õlist, teravatest servadest ja liikuvatest osadest. Kahjustatud või takerdunud kaablid suurendavad elektrilöögi ohtu.
- **Töötades elektritööriistaga väljas, kasutage pikendusjuhet, mis on ette nähtud vältitingimustes kasutamiseks.** Vältitingimustes kasutamiseks ette nähtud kaabel vähendab elektrilöögi saamise ohtu.
- **Kui elektritööriistaga tuleb siiski niiskes kohas töötada, kasutage rikkevooluseadmega (RCD) kaitstud vooluvarustust.** RCD kasutamine vähendab elektrilöögi ohtu.
- **Kasutage alati ettenähtud toitepinget.** Vale toitepinge võib põhjustada elektrilöögi, tulekahju, ebaõige töö ning kehalise vigastuse.
- **Kontrollige, kas kõik elektrijuhtmed ja kaablid on õige suurusega ning kõik pistikud ja konnectorid on tugevasti kinni.** Väiksema ristlõikega juhe ja lövdad ühendused võivad põhjustada elektrilöögi, tulekahju ning kehalise vigastuse.

## Isikukaits

- **Olge elektritööriista kasutamisel tähelepanelik, jälgige oma käitumist ja tegutsege mõistlikult. Ärge kasutage elektritööriista, kui olete väsinud, uimastite, alkoholi või ravimite mõju all.** Hetkeline tähelepanematus elektritööriista kasutamisel võib põhjustada raske kehalise vigastuse.
- **Kasutage ohutusvahendeid. Kandke alati kaitseprille.** Töötitingimustes kohaselt kasutatavad isiklikud kaitsevahendid nagu tolmumask, mittelibisevad jalanõud, kiiver ja kõrvaklapid vähendavad kehaliste vigastuste ohtu.
- **Vältige tööriista ettevaatamatut käivitamist. Enne võrgutoitega ühendamisest veenduge, et käivituslülitil tööriista on välja lülitatud.** Kui kannate elektritööriista, sõrm päästikul, või pistate sisselülitatud elektritööriista toitejuhtme pesse, on õnnetused kerged tulema.
- **Enne elektritööriista sisselülitamist tuleb kõik reguleerimisvõtmed selle küljest eemaldada.** Elektritööriista liikuva osa külge jäetud võti võib põhjustada kehalise vigastuse.
- **Vältige ülepingutamist. Toetuge alati kindlalt ja hoidke tasakaalu.** See võimaldab elektritööriista ettenägematu olukorra tekkimisel paremini kontrolli all hoida.
- **Riietuge nõuetekohaselt. Ärge kandke lahtisi rõivaid ega ehteid. Katke pikad juuksed kinni. Hoidke oma juuksed, rõivad ja kindad liikuvatest osadest eemal.** Lahtised rõivad, ehted ja pikad juuksed võivad liikuvate osade külge kinni jääda.
- **Kui seadmed on varustatud tolmu eemaldaja ja koguriga, tagage nende korralik kinnitus ja kasutamine.** Nimetatud seadmete kasutamine vähendab tolmu põhjustatud ohtusid.
- **Kinnitage ja toetage töödeldava detaili pitskruid või sobivate vahendite abil.** Käega või vastu keha kinnihoidmisest ei piisa ja seetõttu võite tegevuse üle kontrolli kaotada.
- **Vältige tööriista kasutamisel tekkiva kahjuliku tolmu ning osakeste toimet ja sissehingamist.**
  - Lihvimise, saagimise, jahvatamise, puurimise ja muude ehitustööde juures tekkinud tolmu sisaldab kemikaale, mis võivad oletavasti soodustada vähi, sünnikahjustuste või muude sigivushäirete teket. Mõningad näited nendest kemikaalidest on järgmised:
    - plii Pb-sisaldusega värvidest,
    - kristalliline ränioksiid tellistest, tsemendist ja teistest müürimaterjalidest,
    - arseen ja kroom keemilisel töödeldud puidust.
  - Kahjustuste risk on olnud sellest, kui sageli te nimetatud töodes osalete. Nende kemikaalide mõju vähendamiseks: töotage hästi ventileeritud piirkonnas, kasutades ettenähtud ohutusvahendeid, nagu näiteks tolmumask, mis on spetsiaalselt välja töötatud mikroosakeste filtreerimiseks.

- **Lõpetage tööriista kasutamine, kui tunnete ebamugavust, pakitsust või valu.** Vibratsioon, ebamugav tööasend või korduvad liigutused võivad mõjuda kahjustavalt teie kätele. Tööriist võib kasutamisel vibreerida. Enne töö jätkamist pöörduge nõuande saamiseks arsti poole.
- **Vibratsioonitase elektritööriista tegeliku kasutamisel võib erineda deklareeritud väärtusest, sõltuvalt tööriista kasutusviisidest.** Kasutage operatoori kaitseks sobivaid ettevaatusabinõusid, mis põhinevad arvestusliku kokkupuutel tegeliku kasutamise ajal.
- **Vältige kokkupuudet tööriista liikuvate osadega.** Tööriist ja/või selle tarvikud võivad liikumist lähiajalisel jätkata ka pärast elektritoite katkestamist, mistõttu eksisteerib vigastuse oht.

## Elektritööriista Kasutamine ja Hooldus

- **Ärge rakendage elektritööriista suhtes jõudu.** Kasutage eesmärgi saavutamiseks sobivat elektritööriista. Õige elektritööriist töötab kõige tõhusamalt ja ohtumal viisil vaid ettenähtud jõudluse juures.
- **Elektritööriista ei tohi kasutada, kui seda pole võimalik lülitada abil sisse ega välja lülitada.** Ükski elektritööriist, mida ei saa lülitiga juhtida, pole ohutu ning see tuleb ära remontida.
- **Enne reguleerimist, tarvikute vahetamist või tööriista houlepanekut lahutage elektritööriist toiteallikast.** Nimetatud ettevaatusabinõud aitavad vähendada tööriista ettevaatamatu käivitamise riski.
- **Hoidke kasutamata elektritööriistu lastele kättesaamatus kohas ja ärge lubage tööriistaga töötada isikult, kes ei tunne sellega töötamise eeskirju.** Vajalike oskusteta isikute käes muutuval tööriistad ohtlikuks.
- **Kontrollige, kas tööriista liikuvate osad ei ole kõverad, kinni kiilunud ega möranenud ning jälgige kõiki muid tingimusi, mis võivad elektritööriista talitlust kahjustada.** Kahjustatud elektritööriist tuleb enne kasutamist remontida. Paljude õnnetuste põhjuseks on elektritööriistade vähenenud hooldus.
- **Hoidke lõiketerad teravad ja puhtad.** Nõuetekohaselt hooldatud ja teritatud tööriistade kinnikiilumine on vähem tõenäoline ning neid on kergem juhtida. Kontrolli säilitamiseks hoidke käepidemed puhtad ja kuivad.
- **Kasutage elektritööriista, selle tarvikuid ja töötlemissotsakuid vastavalt nende juhendile ja viisil, nagu see on antud tüüpi tööriistale ette nähtud, arvesse võttes tehtava töö iseloomu ja töötingimusi.** Tööriista kasutamine sellele jaoks mitte ettenähtud tööde teostamiseks loob ohtliku olukorra.
- **Kinnaste kandmisel veenduge alati, et kindad ei takista päästikmehhanismi käsitsemist.** Tagajärjeks võib olla kehaline vigastus.
- **Ärge eemaldage tootelt ühtki silti.** Kahjustatud silt asendage uuega. Sildid annavad teavet toote ohutu kasutamise kohta.

## Aku kasutamine ja hooldamine

- **Laadige akut üksnes tootja määratud akulaadijaga.** Ühe aku jaoks sobiv laadija võib mõne muu aku laadimisel põhjustada tulekahju.
- **Elektritööriistu võib kasutada ainult ettenähtud akuplokiga.** Teistsuguste akude kasutamine võib põhjustada tuleohtu.
- **Kui akut ei kasutata, hoidke see eemal metallkehadest, nagu: klambrid, mündid, võtmed, naelad, kruvid jm väikesed metallesemad, mis võivad põhjustada akuklemmide lühise.** Akuklemmide lühistamine võib põhjustada põletusi või tulekahju.
- **Kui akust vigastuse korral vedeliku välja voolab, vältige kokkupuudet selle vedelikuga.** Juhusliku kokkupuute korral loputage saastatud kohta veega. Kui liisaks sellele on vedelik ka silmadesse sattunud, pöörduge arsti poole. Akust väljunud vedelik võib esile kutsuda kudede ärritusi või põletusi.
- **Enne aku paigaldamist veenduge, et lüliti on välja lülitatud.** Aku paigaldamine sisselülitatud toitelülitiga elektritööriistale võib põhjustada õnnetusi.
- **Enne reguleerimist või tarvikute vahetamist lahutage akupakett tööriistast või lukustage lüliti väljalülitatud asendisse.** Need ettevaatusabinõud aitavad vähendada tööriista ettevaatamatu käivitamise riski.
- **Kui tööriista mootor on tugevasti koormatud, seiskunud või pöörlemine on muul viisil takistatud, kuid seade jääb sisselülitatuks, siis võib elektritööriist üle kuumeneda.** Sellisel juhul lülitage tööriist välja. Elektritööriista töö jätkamine sellistes tingimustes võib põhjustada ülekuumenemise, suitsu või tulekahju koos kehavigastuse ja varalise kahjuga.
- **Enne tööriista houlepanekut ja paigutamist tööriistakasti või kotti lahutage akupakett tööriistast. Ettevatsemata käivitumine hoidmise või teisaldamise ajal võib põhjustada tõsise ohuolukorra, sealhulgas tööriista ülekuumenemise.** Tööriista juhitamatu talitlus võib põhjustada mitmesuguseid ohte, nagu kuumenemine, suits ja tulekahju.
- **Ärge blokeerige korpuse jahutusavasid, kuna see võib põhjustada tööriista ülekuumenemise.** Tööriista kasutamine sellistes tingimustes võib põhjustada ülekuumenemise, suitsu või tulekahju koos kehavigastuse ja varalise kahjuga.
- **Tööriist võib pideva kasutamise või raskete töötsükli kestel liigselt kuumeneda. Kui tööriista mõni osa on puudutamisel liiga kuum või kui mootorist võib märgata vähimatki suitsu, peatage kohe töö ning laske tööriistal jahtuda.** Töö jätkamine sellistes tingimustes võib tööriista kahjustada ning põhjustada kehavigastuse või varalise kahju kuumuse ja tule läbi.
- **Kui aku muutub liiga kuumaks või võimaldab rakendada vaid väga lühikesi töötsükleid, peatage viivitamata töö ja asendage aku.** Tavaliselt on neil akudel laadimis-tühjenemistsükli arv väga suur, kuid aku võib olla vana või mingil viisil kahjustatud. Kui jätkate nõrga aku kasutamist, võib see põhjustada vigastuse või varalise kahju kõrge temperatuuri, tule või plahvatusel läbi.
- **Ärge muutke tööriista, ohutus- ega abiseadmete ehitust.** Lubamatu modifitseerimine võib põhjustada elektrilöögi, tulekahju või kehalise vigastuse.
- **Kasutage ainult Ingersoll Rand'i poolt antud tööriistamudelile ettenähtud tarvikuid.** Ühele tööriistale sobivad tarvikud võivad mõne teise tööriista külge kinnitades muuta ohtlikuks.
- **Ärge eemaldage tootelt ühtki silti.** Kahjustatud silt asendage uuega. Sildid annavad teavet toote ohutu kasutamise kohta.

## Teenindus

- **Laske oma elektritööriista haldajal kvalifitseeritud hooldusmehel, kasutada üksnes samaväärseid varuosi.** See tagab tööriista korraliku hoolduse ja edasise tööohutuse.
- **Tööriista hooldamisel kasutage ainult Ingersoll Randi originaalosi ning järgige kõiki hoolduseeskirju.** Sobimatute varuosade kasutamine ja hoolduseeskirjade eiramine võib põhjustada elektrilöögi või vigastuse.
- **Ärge utiliseerige akusid tules, tuhatusseadmes ega kuumuses üle 100 °C (212 °F).** Ebaõige käsitsemise korral põhjustavad akud tuleohtu või keemilise põletuse ohtu.
- **Utiliseerige akud või võtke need kordvõttesse kõigi asjakohaste standardite ning (kohalike, piirkondlike, riiklike, föderaalsete jne) eeskirjade kohaselt.** Nõuete rikkumisel võite põhjustada keskkonnakahju.

**HOIATUS****Tootepõhised Ohutusreeglid**

- **Hoidke tööriista isoleeritud kohtadest, kui teete sellist tööd, mille käigus tööriist võib kokku puutuda varjatud elektrijuhtmetega.** Kokkupuutel pingestatud juhtmega satub ka tööriist voolu alla ning võib põhjustada elektrilöögi.
- **Kahesuunalise käiguga tööriista puhul kontrollige enne töö alustamist töösuuna vahetaja asukohta.** Kui teate täpselt pöörlemissuunda, on kergem säilitada kontrolli tööriista üle.
- **Kasutage ainult löökpadrunvõtmeid ja -tarvikuid.** Ärge kasutage käsi- (kroomitud) padrunvõtmeid ega tarvikuid. Need võivad kasutamise käigus puruneda ja põhjustada vigastuse.
- **Kontrollige regulaarselt tööriista ühendust otsikuga, et veenduda otsikukinnituse korrasolekus ning kontrollige, kas otsikud ja ühendused ei ole liialt kulunud.** Kulunud või kahjustunud ühenduse korral võib otsik tööriista küljest lahti tulla.
- **Löökmutrivõtmed ei ole piirmomendimutrivõtmed.** Liiteid, mis nõuavad pingutamist määratud momendiga, tuleb pärast nende löökvõtmega kinnikeeramist kindlasti momendidünamomeetriga üle kontrollida. Nõuetekohaselt pingutamata liited võivad lahti tulla ja põhjustada õnnetuse.
- **Ärge kasutage kaitsemehhanismita päästikuid, kui sinna võib sattuda prahti, mis võib jätta päästiku "ON" (avatud) asendisse.** See võib blokeerida tööriista väljalülitamise.
- **Ärge suunake valguskiirt inimestele või loomadele silma.** Ere valgus võib silmi kahjustada.

**Toote ohutusteave: Aku****Toote kirjeldus**

Aku on elektrienergia talletamiseks mõeldud seade, mida kasutatakse firma **Ingersoll Rand** juhtmeta toodete toiteallikana.

**HOIATUS****Üldised aku turvahoiatused**

- **Hoiatus! Lugege kõik turvahoiatused ja juhtnõupid läbi.** Hoiatustest ja juhtnõuudest mittepidamine võib põhjustada elektrilöögi, süttimise ja/või tõsise vigastuse.
- **Hoidke kõik hoiatused ja juhtnõudid hiljem uuesti läbivaatamiseks alles.**
- **Te olete kohustatud tegema selle ohutusteabe kättesaadavaks teistele isikutele, kes toodet kasutama hakkavad.** Standardite ja eeskirjade eiramine võib kaasa tuua kehavigastuse.
- **Paigaldage, kasutage, kontrollige ja hooldage käesolevat toodet kõigi asjakohaste standardite ning (kohalike, piirkondlike, riiklike, föderaalsete jne) eeskirjade kohaselt.** Nõuete täitmine on teie kohus. Standardite ja eeskirjade eiramine võib kaasa tuua kehavigastuse.
- Hoiatustel märgitud "mootortööriist" tähistab teie akutoitega (juhtmeta) mootortööriista.

**Elektriliane ohutus**

- **Ärge jätke akusid või mootortööriistu vihma kätte või märgadesse kohtadesse.** Akusse või mootortööriista tungiv vesi suurendab elektrilöögi ohtu.

**Isikukaitses**

- **Ärge modifitseerige seda toodet, ohutusseadmeid ega lisatarvikuid.** Lubamatu modifitseerimine võib põhjustada elektrilöögi, tulekahju või kehavigastuse.

**Aku ja mootortööriista kasutamine ja hooldamine**

- **Hoidke kasutuses mitteolevad akud ja mootortööriistad lastele kättesaamatus kohas.** Ärge lubage kasutada akut või mootortööriista isikutele, kes ei ole nende või vastavate juhenditega kursis. Akud ja mootortööriistad on ohtlikud, kui neid kasutavad koolitamata isikud.
- **Kasutage akut, mootortööriista, tarvikuid ja tööriista otsakuid kooskõlas nende juhendiga, võttes seejuures arvesse töötingimusi ja tehtavat tööd.** Kui akut või mootortööriista kasutatakse ettenähtust erinevate toimingute puhul, võib see tuua kaasa ohtliku olukorra.
- **Laadige ainult tootja ettenähtud laadijaga.** Ühte tüüpi akude jaoks sobiv laadija võib tekitada süttimisohu, kui seda kasutatakse teist liiki akude puhul. Laadija kohta käivad lisahoiatused on laadija tooteinfo juhendis.
- **Kasutage mootortööriistu ainult spetsiaalselt ettenähtud akude laadimiseks.** Teiste akude kasutamine võib tekitada vigastuse ja süttimiseohtu.
- **Kasutusvälisel ajal hoidke aku eemal metallesemetest, nagu: klambrid, mündid, võtmed, naelad, kruvid jm väikesed metallised, mis võivad põhjustada akuklemmeid lühise.** Akuklemmeid lühistamine võib põhjustada sädemeid, põletusi ja tulekahju.
- **Valede kasutamistingimuste korral võib akust vedelikku välja voolata; vältige kokkupuudet selle vedelikuga. Kokkupuutel korral peske veega.** Kui vedelikku satub silma, pöörduge arsti poole. Akust väljunud vedelik võib põhjustada ärritust või põletust.
- **Kui aku muutub liiga kuumaks või võimaldab rakendada vaid väga lühikesi töötähtsaid, peatage viivitamata töö ja asendage aku.** Tavaliselt on neil akudel laadimis-tühjenemistsükli arv väga suur, kuid aku võib olla vana või mingil viisil kahjustatud. Kui jätkate nõrga aku kasutamist, võib see põhjustada vigastuse või varalise kahju kõrge temperatuuri, tule või plahvatuse läbi.
- **Ärge eemaldage tööriistalt ühtki silti.** Kahjustatud silt asendage uuega. Sildid annavad teavet tööriista ohutu kasutamise kohta.
- **Kaitske akusid mehaaniliste löökide eest.**
- **Ärge jätke kasutuses mitteolevat akut pikemaks ajaks laadima.**
- **Võimaluse korral eemaldage aku seadmest, kui seadet ei kasutata.**
- **Ärge kasutage füüsiliselt kahjustatud akusid.**

**Hooldustööd**

- **Ärge utiliseerige akusid tules, tuhatusseadmes ega kuumuses üle 100 °C (212 °F).** Ebaõige käsitsemise korral põhjustavad akud tulleohtu või keemilise põletuse ohtu.
- **Utiliseerige akud või võtke need kordvõttesse kõigi asjakohaste standardite ning (kohalike, piirkondlike, riiklike, föderaalsete jne) eeskirjade kohaselt.** Nõuete rikkumisel võite põhjustada keskkonnakahju.
- **Ärge avage kaant ega korpust.** Sees ei ole kasutaja hooldust vajavaid osi. See võib põhjustada elektrilöögi või kehavigastuse.

## Toote ohutusteave: Akulaadur

### Toote Kirjeldus

Akulaadija on elektriseade, mis muundab vahelduvvoolu elektrienergia alalisvoolu elektrienergiaks, mida kasutatakse elektririkude laadimiseks.

## ⚠ HOIATUS

### Üldised Tööohutusreeglid

- **Lugege kõik juhised tähelepanelikult läbi ja tehke endale selgeks.** Alltoodud juhiste mittejärgimine võib kaasa tuua elektrilöögi, tulekahju ja/või raske kehalise vigastuse.
- **Teie kohuseks on teha käesolev ohutusteave kättesaadavaks teistele töötajatele, kes toodet kasutama hakkavad.** Standardite ja eeskirjade eiramine võib kaasa tuua kehalise vigastuse.
- **Paigaldage, kasutage, kontrollige ja hooldage käesolevat toodet kõigi asjakohaste standardite ning (kohalike, piirkondlike, riiklike, föderaalsete jne) eeskirjade kohaselt.** Nõuete täitmine on teie kohuseks. Standardite ja eeskirjade eiramine võib kaasa tuua kehalise vigastuse.
- **Lapsed peavad olema järelevalve all, et nad ei saaks seda toodet kasutada ega sellega mängida.**
- **See toode pole mõeldud kasutamiseks isikutele, kellel on piiratud füüsilised, tunnetuslikud või vaimsed võimed, või kellel puuduvad vajalikud kogemused ja teadmised.** Kasutamine on neile lubatud vaid siis, kui nad on saanud vastavad juhised nende ohutuse eest vastutava isiku käest või töötavad sellise isiku järelevalve all.

### Tööpiirkonna ohutus

- **Akulaadijat ei tohi kasutada plahvatusohtlikus keskkonnas, näiteks kohas, kus leidub tuleohtlikke vedelikke, gaase või tolmu.** Akulaadija võib tekitada sädemeid, mis võivad süüdata tolmu või auru.

### Elektrialane Ohutus

- **Kaherkordse isolatsiooniaga tooted on varustatud polariseeritud pistikuga (üks haru on laiem kui teine).** See pistik sobib polariseeritud kontakti ainult ühtepidi. Kui pistik ei lähe täies ulatuses kontakti sisse, siis keerake pistik teistpidi. Kui see endiselt ei sobi, siis pöörduge kvalifitseeritud elektriku poole ja laske paigaldada polariseeritud kontakt. Ärge modifitseerige pistikut mingil viisil. Kaherkordne isolatsioon kõrvaldab vajaduse kolmejuhtmelise maandatud toitekaabli ning maandatud elektritoitesüsteemi järele.
- **Vältige kaabli väärkasutust. Mitte kunagi ärge kasutage toitejuhet tööriista kandmiseks, selle ligiõmbamiseks või kontaktipesast välja tirimiseks.** Hoidke toitekaabel eemal kuumusest, õlist, teravatest servadest ja liikuvatest osadest. Kahjustatud või takerdunud kaablid suurendavad elektrilöögi ohtu.
- **Akutoitega toodet, millel on sisseehitatud akud või eraldi akuplokk, võib laadida ainult vastavale akule ette nähtud laadija abil.** Ühe aku jaoks sobiv laadija võib mõne muu aku laadimisel põhjustada tulekahju.
- **Akulaadija on üksnes ruumisiseseks kasutamiseks. Laadijat ei tohi jätta vihma kätte. Laadijat ei tohi kasutada niiskes ega märjas keskkonnas.** See võib põhjustada elektrilöögi või kehalise vigastuse.
- **Kasutage alati ettenähtud toitepinget.** Vale toitepinge võib põhjustada elektrilöögi, tulekahju, ebaõige töö ning kehalise vigastuse.
- **Vältige aku laadimisklemmide puudutamist sõrmede, traadi või muu elektrit juhtiva materjaliga. Ühendage ainult heakskiidetud Ingersoll Randi akuga.** See võib põhjustada elektrilöögi või kehalise vigastuse.
- **Ärge üritage uuesti laadida mittelaeatavaid akusid.** See võib põhjustada elektrilöögi, tulekahju või kehalise vigastuse.

### Isikukaits

- **Ärge muutke toote, ohutusseadmete ega tarvikute ehitust.** Lubamatu modifitseerimine võib põhjustada elektrilöögi, tulekahju või kehalise vigastuse.
- **Ärge kasutage toodet muul otstarbel peale tootja soovitatut.** See võib põhjustada elektrilöögi, tulekahju või kehalise vigastuse.
- **Enne toiteallikaga ühendamist seadke laadija stabiilsesse asendisse. Hoidke laadija laste käeulatuses eemal.** Vale asend või kasutamine laste poolt võib põhjustada elektrilöögi, tulekahju või kehavigastuse.

### Kasutamine ja Hooldus

- **Ärge kunagi kasutage vigastatud või rikkis laadijat. Ühendage laadija kohe võrgust lahti ja viige see remonti või asendage uuega.** Kasutamise jätkamine võib põhjustada elektrilöögi, tulekahju või kehavigastuse.
- **Ärge eemaldage tootelt ühtki silti. Kahjustatud silt asendage uuega.** Sildid annavad teavet toote ohutu kasutamise kohta.

### Teenindus

- **Tehniline teenindus peab toimuma üksnes Ingersoll Rand volitusega teeninduskeskuses või vastava ettevõtmisega remondimeeste juures.** Kvalifitseerimata isikute läbiviidud teenindus- või hooldustööd võivad põhjustada õnnetuse.
- **Ärge avage kaant ega korpust. Sees ei ole kasutaja hooldust vajavaid osi.** See võib põhjustada elektrilöögi või kehalise vigastuse.
- **Kahjustustega toitejuhtme peab välja vahetama Ingersoll Rand volitusega teeninduskeskuses või vastava ettevõtmisega remondimeeste juures.** Kahjustatud või valesti paigaldatud toitejuhtmed suurendavad elektrilöögi saamise ohtu.

## TÄHELEPANU

Lisateavet konkreetse mudeli ohutusteabe kohta leiate tooteteabe juhendist.

## Ohutussümbolite tähendus



Plahvatusoht.  
Kasutamisel järgige kõiki ohutus-  
toiminguid.



Kandke kaitseprille



Kandke kõrvaklappe



Enne toote kasutamist tutvuge juhendiga



(joonis 16589525)

## Ohutusteave – Ohutussignaali Selgitus

- |                      |  |
|----------------------|--|
| <b>⚠ HÄDAOHT</b>     | Osutab vahetult ohtlikule olukorrale, mille tagajärjeks võib olla surm või tõsine vigastus.                                |
| <b>⚠ HOIATUS</b>     | Osutab potentsiaalselt ohtlikule olukorrale, mille tagajärjeks võib olla surm või tõsine vigastus.                         |
| <b>⚠ ETTEVAATUST</b> | Osutab potentsiaalselt ohtlikule olukorrale, mille tagajärjeks võib olla väiksem või keskmine vigastus või varaline kahju. |
| <b>TÄHELEPANU</b>    | Osutab teabele või firma poliitikale, mis puudutab otseselt või kaudselt personali ohutust ning vara kaitset.              |

## Teave Toote Osade Kohta

**⚠ ETTEVAATUST**

**Muude varuosade kasutamine peale Ingersoll Randi originaalosade võib tekitada ohutusriske, vähendada tööriista jõudlust ja tõsta hoolduse vajadust ning see võib tühistada kõik garantiid.**

**Remonti võib teostada ainult volitatud kvalifitseeritud personal. Võtke ühendust lähima Ingersoll Randi volitatud teenusekeskusega.**

Originaaljuhend on inglise keeles. Juhendid teistes keeltes on tõlgitud originaaljuhendist.

Teatmikke saab alla laadida aadressilt [ingersollrandproducts.com](http://ingersollrandproducts.com).

Lisateabe saamiseks pöörduge firma **Ingersoll Rand** lähima büroo või edasimüüja poole.

## Termékmertető

A vezeték nélküli ütőműves csavarbehajtó akkumulátoros üzemi, kézi szerszámgép, amely forgó ütő mozgással szorítja vagy lazítja meg a menetes rögzítőeszközöket különlegesen edzett cserélhető betéteivel.

### VIGYÁZAT

#### Általános Biztonsági Szabályok

- **Vigyázat!** Olvassa el valamennyi útmutatást. Az alább felsorolt utasítások be nem tartása villamos áramütéshez, tűzhöz és/vagy súlyos sérüléshez vezethet. Tegyen el minden Figyelmeztetést és utasítást, hogy később is megtekinthesse. Az alábbi figyelmeztetésekben a „gépi szerszám” alatt hálózatról (vezetékéről) működtetett gépi szerszámot vagy akkumulátorról (vezeték nélküli) működtetett gépi szerszámot jelent.
- **Saját felelősségére tartsa a biztonsági információkat a termék minden használója számára hozzáférhető helyen.** A szabványok és rendszabályok be nem tartása személyi sérülést okozhat.
- **A terméket mindig valamennyi vonatkozó (helyi, állami, országos, szövetségi stb.) szabvánnyal és előírással összhangban kell telepíteni, működtetni, felülvizsgálni és karbantartani.** A fentiek betartása a felhasználó felelőssége. A szabványok és rendszabályok be nem tartása személyi sérülést okozhat.

#### Munkaterület biztonsága

- **Tartsa tisztán és jól megvilágított állapotban munkaterületét.** A zsúfolt asztalok és sötét területek segítik a balesetek bekövetkezését.
- **Ne működtesse a szerszámgépeket robbanásveszélyes környezetben, például gyúlékony folyadékok, gázok vagy por jelenlétében.** A szerszámgépek működése közben szikrák keletkeznek, amelyek begyújthatják a port vagy a gőzöket.
- **A szerszám használata közben tartsa távol a nézőket és a gyermekeket.** Figyelme elterelése következtében elvesztheti kontrollját a munka felett.
- **Tájékozódjon munkakörnyezetének rejtett veszélyeiről. Ne érintsen vagy sértsen meg olyan kábeleket, szigetelőcsöveket, csöveket vagy burkolatokat, amelyek villamos vezetékeket, gázokat vagy ártalmas folyadékokat tartalmazhatnak.** Villamos áramütés, tűz vagy személyi sérülés következhet be.

#### Villamos Biztonság

- **A gépi szerszámok készülékdugóinak illeszkedniük kell az aljzatba. Soha ne alakítsa át a csatlakozót. Ne használjon átalakított földelt gépi szerszámokhoz.** A készülékdugók átalakításának mellőzésével, illetve megfelelő aljzatok használatával csökkentheti az áramütés veszélyét.
- **Kerülje az érintkezést földelt felületekkel, például csövekkel, fűtőtestekkel, vezetékekkel és hűtőgépekkel.** Testének testelésével vagy földelésével fokozza a villamos áramütés veszélyét.
- **Ne tegye ki a villamos árammal működő szerszámokat esőnek vagy nedves körülményeknek.** A gépi szerszámba került víz fokozza a villamos áramütés veszélyét.
- **Ne használja helytelenül a vezetéket. Tilos a gépi szerszámot a csatlakozószínornál fogva szállítani, mozgatni, illetve a készülékdugót a csatlakozószínornál fogva kihúzni. Tartsa távol a vezetéket hőtől, olajtól, éles sarkoktól vagy mozgó alkatrészekről.** A sérült vagy összehurkolódott vezetékek növelik a villamos áramütés veszélyét.
- **Gépi szerszám kültéri használatánál a kültéri használatához megfelelő hosszabbító kábelt kell használni.** A kültéri használatához megfelelő hosszabbító kábel használatával csökkentheti a villamos áramütés veszélyét.
- **Ha az elektromos eszköz üzemeltetése elkerülhetetlen nedves körülmények között, használjon áramvédő kapcsolóval (ÁVK) biztosított áramforrást.** Az ÁVK használata csökkenti az áramütés veszélyét.
- **Mindig az előírt hálózati feszültséget használja.** A nem megfelelő feszültség használata villamos áramütést, tüzet, rendellenes működést és balesetveszélyt eredményezhet.
- **Győződjön meg róla, hogy minden elektromos vezeték megfelelő méretű, és hogy minden csatlakozó és konnector szilárdan rögzített.** A rövid vezetékek vagy laza csatlakoztatások villamos áramütést, tüzet és balesetveszélyt eredményezhetnek.

#### Személyi Biztonság

- **Legyen óvatos, figyeljen arra, amit csinál és józan ésszel használja a szerszámgépet. Soha ne használjon gépi szerszámot fáradtan, kábítószert, alkoholt vagy gyógyszer hatása alatt.** A szerszámgép használata közbeni pillanatnyi figyelmetlenség súlyos személyi sérüléshez vezethet.
- **Használjon védőberendezéseket. Mindig viseljen szemvédő berendezést.** Védőfelszerelések, például porvédő maszk, csúszásmentes védőbakancs, kemény sisak és hallásvédő használatával csökkentheti a villamos áramütés veszélyét.
- **Kerülje a szerszámgép véletlen indítását. Mielőtt bedugná a készülékdugót, bizonyosodjon meg arról, hogy a szerszám ki van kapcsolva.** A gépi szerszám szállítása közben a kapcsolóra helyezett ujj, illetve kapcsolóval ellátott gépi szerszámoknál a készülékdugó csatlakoztatása fokozottan balesetveszélyes.
- **A gépi szerszám bekapcsolása előtt távolítsa el a beállító kulcsokat vagy csavarkulcsokat.** A gépi szerszám forgó részén maradt csavarkulcs vagy kulcs személyi sérülést okozhat.
- **Ne nyújtózkodjon. Mindig álljon megfelelő helyzetben és őrizz meg egyensúlyát.** Így jobban irányítása alatt tudja tartani a gépi szerszámot váratlan helyzetekben.
- **Ötözködjön megfelelően. Ne viseljen laza ruhát vagy ékszert. Hosszú haját kösse le. Haját, ruházatát és kesztyűjét tartsa távol a mozgó alkatrészekről.** A laza ruházatot, ékszert vagy hosszú haját a mozgó alkatrészek becsíphetik.
- **Ha a szerszámhoz porelszívót, vagy porgyűjtőt kapott, akkor gondoskodjon azok megfelelő csatlakoztatásáról és helyes használatáról.** Ilyen eszközök használatával csökkentheti a porral kapcsolatos veszélyeket.
- **Használjon szorítókapcsokat vagy más célszerű módszert a munkadarab szilárd felületre rögzítéséhez és megtámasztásához.** A munkadarab kézzel vagy testnek támasztva nem stabil, ellenőrizhetetlenül válhat.
- **Ne tegye ki magát a szerszám használata közben keletkező ártalmas pornak és részecskének, óvakodjon azok belégzésétől.**
  - A homokszórás, fűrészelés, csiszolás, fűrés és más szerelési tevékenységek közben keletkező por tudottan rákkelto, születési rendellenes-

ségeket vagy más örökletes károsodást okozó vegyszereket tartalmaz. Ilyen vegyszerek pl.:

- ólom az ólombázisú festékekből,
- kristályos szilícium-dioxid a téglából, cementből és más építőipari termékekből, és
- arzén illetve króm a vegyileg kezelt épületfából.
- Az ezekkel kapcsolatos kockázat attól függ, hogy milyen gyakran végez ilyen típusú munkát. Az ezektől a vegyszerektől való védelem érdekében dolgozzon jól szellőztetett térben, jóváhagyott biztonsági berendezésekkel, mint pl. speciálisan a mikroszkopikus részecskék kiszűrésére tervezett légzésvédő maszk.
- **Kényelmetlen, zibbadó érzés vagy fájdalom esetén hagyja abba a szerzám géppelt munkát.** A vibráció, az ismétlődő mozgások vagy kényelmetlen testhelyzetek ártalmasak lehetnek kezeire és karjaira. A szerzámzámvezélt közben vibrálhatnak. A használat folytatása előtt kérjen orvosi tanácsot.
- **Az elektromos kéziszerzám tényleges használata során a vibrációs emisszió eltérhet a névleges értéktől az eszköz használatának módjától függően.** Tegye meg a kellő biztonsági intézkedéseket a kezelő védelmére a tényleges használat becsült adatai alapján.
- **Kerülje a szerzám mozgó alkatrészeinek érintését.** A szerzám és/vagy tartozékai az áramellátás megszűnése után is tovább mozoghatnak, beszorulás vagy más személyi sérülés kockázatát idézve elő.

## A Gépi Szerzám Használatá és Ápolása

- **Ne erőltesse a gépi szerzámot. A megfelelő gépi szerzám használja.** A megfelelő gépi szerzámmal a munka jobban és biztonságosabban végezhető azzal a sebességgel, amelyre azt tervezték.
- **Ne használja a gépi szerzámot, ha annak kapcsolója nem kapcsol be vagy ki.** A kapcsolóval nem vezérelhető gépi szerzámok veszélyesek, javítást igényelnek.
- **Válassa le az áramellátásról a gépi szerzámot bármilyen beállítás, tartozékcsere vagy a szerzám tárolása előtt.** Az ilyen megelőző biztonsági intézkedések csökkentik a szerzám véletlen elindulásának kockázatát.
- **A nem használt gépi szerzámokat tárolja gyermekek számára nem hozzáférhető helyen, és ne engedje, hogy a gépi szerzámot a gépi szerzámot, illetve a jelen utasításokat nem ismerő személy kezelje.** A szerzámok hozzá nem értők kezében veszélyesek.
- **Gondoskodjon a gépi szerzámok karbantartásáról.** Ellenőrizze a rosszul beállított vagy szoruló mozgó alkatrészeket, töréseket és minden olyan körülményt, amely befolyásolhatja a gépi szerzám működését. Rongálódás esetén javíttassa meg a gépi szerzámot használat előtt. Az elégtelenül karbantartott gépi szerzámok sok balesetet okoznak.
- **A vágószerzámok élesek és tiszták legyenek.** A megfelelően karbantartott, éles vágóélű szerzámok kevésbé szorulnak és könnyebben kezelhetők. A kezelhetőség érdekében tartsa tisztán és szárazon a fogantyúkat.
- **A gépi szerzámot, tartozékait és betéteit, stb. a jelen útmutatásokkal összhangban, az adott típusú gépi szerzám rendeltetésének megfelelően, a munkakörülményeket és a felvezní kívánt munkát figyelembe véve használja.** A gépi szerzám rendeltetésétől eltérő használata veszélyes helyzetek kialakulásához vezethet.
- **Kesztyű viselésekor győződjön meg róla, hogy az nem akadályozza a fojtószelep kioldását.** Személyi sérülés következhet be.
- **Egyetlen feliratot se távolítson el.** A sérült feliratokat cserélje ki. A feliratok a termék biztonságos használatával kapcsolatban nyújtanak tájékoztatást.

## Az akkumulátor használatá és karbantartása

- **Az akkumulátort csak a gyártó által megadott töltővel töltsé.** Egy adott típusú akkumulátorhoz alkalmas töltő másik akkumulátorral használva tűzveszélyes lehet.
- **A gépi szerzámokat csak a hozzá tervezett akkumulátorral használja.** Más típusú akkumulátorok használata baleset- és tűzveszélyt okozhat.
- **A használaton kívüli akkumulátort tartsa távol az olyan fémtárgyaktól, mint: iratkapocs, pénzérme, kulcs, szeg, csavar vagy más kis fémtárgyak, amelyek rövidre zárhatják az akkumulátor pólusait.** Az akkumulátor pólusainak rövidre zárása égést vagy tüzet okozhat.
- **Rendellenes körülmények között az akkumulátorból folyadék ömölhet ki, melynek érintését kerülni kell. Ha véletlenül kapcsolatba kerül vele, öblítse le vízzel. A szemébe fröccsent folyadék öblítse ki, és kérje orvos segítségét.** Az akkumulátorból kifröccsenő folyadék bőrirritációt, vagy égési sérüléseket okozhat.
- **Mielőtt behelyezné az akkumulátort, győződjön meg a kapcsoló kikapcsolt retesztelt állapotáról.** Balesetveszélyes, ha a gépi szerzám az akkumulátor behelyezésekor bekapcsolt állapotban van.
- **Távolítsa el az akkumulátort a szerzámról, vagy helyezze a kapcsolót retesztelt kikapcsolt állásba bármilyen beállítás vagy tartozékcsere előtt.** Az ilyen megelőző biztonsági intézkedések csökkentik a szerzám véletlen elindulásának kockázatát.
- **Az elektromos szerzámok túlmelegednek, ha bekapcsolva hagyja azokat, vagy ha a szerzám motorja nagy terhelés alatt van, elakadt, vagy forgása más módon akadályozott.** Ilyen esetben kapcsolja ki a szerzámot. A szerzám további áram alatt tartása ebben az állapotban melegeadést, füstképződést vagy tüzet okozhat, ami sérüléssel vagy anyagi kárral járhat.
- **A szerzám tárolása, szerzámoldába vagy zsákba helyezése előtt vegye ki az akkumulátort a szerzámából. A tárolás vagy szállítás közbeni véletlen beindítás rendkívül veszélyes helyzeteket idézhet elő, például a szerzám túlmelegedését.** A szerzám nem felügyelt működése különböző veszélyekkel, például felmelegedéssel, füstképződéssel vagy tüzzel járhat.
- **Ne zárja el a burkolat hűtőlevegő-nyílásait, mert ez a szerzám túlmelegedéséhez vezethet.** A szerzám használatá ebben az állapotban melegeadést, füstképződést vagy tüzet okozhat, ami sérüléssel vagy anyagi kárral járhat.
- **A szerzám folyamatos használat vagy egyéb nehéz terhelési ciklus közben túlmelegedhet. Azonnal szüntesse be a működést és hagyja lehűlni a szerzámot, ha annak bármely része annyira felhevül, hogy nem lehet megérinteni, illetve ha bármilyen, a motorból szivárgó füstre utaló jelet tapasztal.** A szerzám használatának folytatása ilyen feltételek mellett annak károsodását okozhatja, illetve hó vagy tűz miatti személyi sérülésehez vagy anyagi kárhoz vezethet.
- **Azonnal szüntesse be a használatot és cserélje ki az összes, használat közben túlzottan felmelegedett vagy túl rövid használati időt biztosító akkumulátort.** Jellemzően ezek az akkumulátorok nagy számú töltési/kisütési ciklussal rendelkeznek, illetve előregedettek vagy sérültek lehetnek. A csökkent értékű akkumulátor használatá hó, tűz vagy robbanás miatti sérülést vagy anyagi kárt okozhat.
- **Modelljéhez csak az Ingersoll Rand által ajánlott tartozékokat használja.** Az egyik szerzámhoz alkalmas tartozékok másik szerzámra használva veszélyesek lehetnek.
- **Kesztyű viselésekor győződjön meg róla, hogy az nem akadályozza a fojtószelep kioldását.** Személyi sérülés következhet be.
- **Egyetlen feliratot se távolítson el.** A sérült feliratokat cserélje ki. A feliratok a termék biztonságos használatával kapcsolatban nyújtanak tájékoztatást.

## Javítás

- **Gépi szerszámának javítását kizárólag képzett szakember végezheti, az eredetivel megegyező cserealkatrészek felhasználásával.** Ezzel biztosítható a gépi szerszám biztonságának megőrzése.
- **Szerszám javításakor mindig eredeti Ingersoll Rand pótalkatrészeket használjon és kövessen minden karbantartási útmutatást.** A nem megfelelő alkatrészek használata illetve a karbantartási utasítások figyelmen kívül hagyása villamos áramütés vagy sérülés veszélyét okozhatja.
- **Az akkumulátort ne tegye tűzbe, ne égesse el és ne hevítse 100°C (212°F) fölé.** Helytelen kezelés esetén az akkumulátorok tüzet vagy kémiai égést okozhatnak.
- **Az akkumulátorokat mindig valamennyi vonatkozó (helyi, állami, országos, szövetségi stb.) szabvánnyal és előírással összhangban kell újrahasznosítani vagy ártalmatlanítani.** A nem megfelelő ártalmatlanítás veszélyeztetheti a környezetet.

## VIGYÁZAT

### A Termékre Vonatkozó Sajátságos Biztonsági Szabályok

- **Olyan esetekben, amikor a vágószerszám rejtett huzalozásba ütközhet, tartsa a szerszámot szigetelt részeinél fogva.** Az "élő" vezetékkel való érintkezés a szerszám fémrészeit is "élővé" teszi és megrázza a kezelőt.
- **Az irányváltós modelleknél működtetés előtt figyelje meg az irányváltó szerkezet állását.** A forgásirány ismerete segít a szerszám irányításában.
- **Csak hibátlan aljzatokat és tartozékokat használjon.** Ne használjon kézi (króm) befogópatronokat és tartozékokat. Ezek használat közben eltörhetnek és sérülést okozhatnak.
- **Rendszeresen ellenőrizze a szerszám hajtófejét, hogy meggyőződjön a befogópatron tartószerkezetének megfelelő működéséről és arról, hogy a hajtófej nem túl kopott.** Mindkét esetben lerepülhet a befogópatron forgás közben.
- **Az ütőműves csavarbehajtók nem nyomatékkulcsok. Az adott nyomatékot igénylő kapcsolatokat az ütőműves csavarbehajtóval való létrehozás után nyomatékmerővel ellenőrizni kell.** A nem megfelelő nyomatékkal meghúzott rögzítőelemek meglazulhatnak és sérülést okozhatnak.
- **Olyan helyen, ahol dugulások "on" (be) helyzetben tarthatják a fojtószelepet, nem alkalmazható nyitott fojtószelep.** Előfordulhat, hogy nem tudja kikapcsolni a szerszámot.
- **Ne irányítsa a lámpát emberek vagy állatok szemébe.** Az éles fény szemsérüléseket okozhat.

### A termék biztonsági információja: Akkumulátor

#### Termékmismertető

Az akkumulátor az Ingersoll Rand vezeték nélküli termékeinek áramforrásoként használatos, elektromos energia tárolására szolgáló eszköz.

## VIGYÁZAT

### Általános biztonsági figyelmeztetések az akkumulátorhoz

- **Vigyázat! Olvassa el a biztonsági figyelmeztetéseket és minden utasítást.** A figyelmeztetések és utasítások be nem tartása, áramütést, tüzet és/vagy komolyabb sérülést eredményezhet.
- **Tegyen el minden Figyelmeztetést és utasítást, hogy később is megtekinthesse.**
- **Saját felelősségére tartsa a biztonsági információkat a termék minden használója számára hozzáférhető helyen.** A szabványok és rendszabályok be nem tartása személyi sérülést okozhat.
- **A terméket mindig valamennyi vonatkozó (helyi, állami, országos, szövetségi stb.) szabvánnyal és előírással összhangban kell felhívítani, működtetni, felülvizsgálni és karbantartani.** A fentiek betartása a felhasználó felelőssége. A szabványok és rendszabályok be nem tartása személyi sérülést okozhat.
- A figyelmeztetések között látható "power tool" (gépi szerszám) kifejezés az akkumulátor-vezérelt (vezeték nélküli) gépi szerszámra vonatkozik.

#### Villamos biztonság

- **Ne tegye ki az akkumulátort és a gépi szerszámot esőnek vagy nedves környezetnek.** Növeli az áramütés kockázatát, ha az akkumulátorba vagy gépi szerszámba víz szivárog.

#### Személyi biztonság

- **Ne végezzen módosítást a terméken, a biztonsági berendezéseken vagy a tartozékokon.** Az illetéktelen módosítások villamos áramütést, tüzet vagy személyi sérülést okozhatnak.

#### Az akkumulátor és gépi szerszám használata és karbantartása

- **Az éppen nem használt akkumulátorokat és gépi szerszámokat tartsa távol gyermekektől, illetve olyan illetéktelen személyektől, akik nem ismerik az akkumulátort, a gépi szerszámot vagy ezek használati utasítását.** Képzetlen emberek kezében az akkumulátorok és gép szerszámok veszélyessé válhatnak.
- **Használja az akkumulátort, gépi szerszámot, kellekeket és egyéb kiegészítőket stb. ezen utasítások szerint. Vegye mindig figyelembe a munka körülményeit és jellegét.** Ha az akkumulátort vagy gépi szerszámot nem rendeltetésszerűen használja, azzal veszélyes helyzetet idézhet elő.
- **Kizárólag a gyártó által meghatározott töltővel töltsé újra az akkumulátort.** Amennyiben egy adott akkumulátorhoz tartozó töltőt egy másikról használ, tűz ütethet ki. A töltővel kapcsolatos további specifikus információkat a töltő termékmismertetőjében találja.
- **A gépi szerszámokat csak a hozzá tervezett akkumulátorral használja.** Amennyiben más akkumulátorokkal használja, az sérülés vagy tűz veszélyét okozhatja.
- **A használaton kívüli akkumulátort tartsa távol az olyan fémtárgyaktól, mint: iratkapocs, pénzérme, kulcs, szeg, csavar vagy más kis fémtárgyak, amelyek rövide zárhatják az akkumulátor pólusait.** Az akkumulátor pólusainak rövide zárása szikrákat, égést vagy tüzet okozhat.
- **Extrém körülmények között az akkumulátorból kifröccsenhet a benne lévő folyadék. Ehhez ne érjen hozzá! Ha véletlenül mégis**

**kontaktusba kerülne vele, öblítse le vízzel. Amennyiben a folyadék a szemébe kerül, azonnal forduljon orvoshoz!** Az akkumulátorból kifröccsenő folyadék bőrirritációt vagy égési sérüléseket okozhat.

- **Azonnal szüntesse be a használatot és cserélje ki az összes, használat közben túlzottan felmelegedett vagy túl rövid használati időt biztosító akkumulátort.** Jellemzően ezek az akkumulátorok nagy számú töltési/kisütési ciklussal rendelkeznek, illetve előregedettek vagy sérültek lehetnek. A csökkent értékű akkumulátor használata hő, tűz vagy robbanás miatti sérülést vagy anyagi kárt okozhat.
- **Egyetlen feliratot se távolítson el. A sérült feliratokat cserélje ki.** A feliratok a termék biztonságos használatával kapcsolatban nyújtanak tájékoztatást.
- **Ne tegye ki az akkumulátorokat mechanikai behatásnak.**
- **Ne töltse használaton kívül túl sokáig az akkumulátorokat.**
- **Amikor az eszköz nincs használatban, távolítsa el az akkumulátort.**
- **Ne használjon sérült akkumulátorokat.**

#### Javítás

- **Az akkumulátort ne tegye tűzbe, ne égesse el és ne hevítse 100°C (212°F) fölé.** Helytelen kezelés esetén az akkumulátorok tüzet vagy kémiai égést okozhatnak.
- **Az akkumulátorokat mindig valamennyi vonatkozó (helyi, állami, országos, szövetségi stb.) szabvánnyal és előírással összhangban kell újrahasznosítani vagy ártalmatlanítani.** A nem megfelelő ártalmatlanítás veszélyeztetheti a környezetet.
- **Ne nyissa fel az eszköz fedelét, vagy külső borítását. A készülék nem tartalmaz a felhasználó által javítható alkatrészeket.** Villamos áramütés vagy más személyi sérülés következhet be.

## A termék biztonsági információja: Akkumulátortöltő

### Termékmertető

Az akkumulátortöltő egy elektromos készülék, amely a váltakozó áramú villamos energiát az akkumulátorok feltöltéséhez szükséges egyenárammá alakítja át.

### VIGYÁZAT

#### Általános Biztonsági Szabályok

- **Olvassa el és értse meg valamennyi utasítást.** Az alább felsorolt utasítások be nem tartása villamos áramütéshez, tűzhöz és/vagy súlyos személyi sérüléshez vezethet.
- **Saját felelősségére tartsa a biztonsági információkat a termék minden használója számára hozzáférhető helyen.** A szabványok és rendszabályok be nem tartása személyi sérülést okozhat.
- **A terméket mindig valamennyi vonatkozó (helyi, állami, országos, szövetségi stb.) szabvánnyal és előírással összhangban kell telepíteni, működtetni, felülvizsgálni és karbantartani.** A fentiek betartása a felhasználó felelőssége. A szabványok és rendszabályok be nem tartása személyi sérülést okozhat.
- **Gondoskodni kell a gyermekek felügyeletéről annak biztosítása érdekében, hogy ne használják a terméket, illetve ne játsszanak vele.**
- **A termék kialakítása nem olyan, hogy azt csökkent fizikai, értelmi vagy mentális képességű, illetve megfelelő tapasztalatok és ismeretek híján lévő személyek használhassák, hacsak a biztonságukért felelős személy nem biztosít számukra felügyeletet és útmutatást a termék használatára vonatkozóan.**

#### Munkaterület biztonsága

- **Ne működtesse az akkumulátortöltőt robbanásveszélyes környezetben, például gyúlékony folyadékok, gázok vagy por jelenlétében.** Az akkumulátortöltő működése közben szikrák keletkezhetnek, melyek begyújthatják a port vagy a gőzöket.

#### Villamos Biztonság

- **A kettős szigetelésű termékek polarizált csatlakozóval vannak felszerelve (egy érintkezőkés vastagabb, mint a többi.) A csatlakozót kizárólag a polarizált csatlakozó aljzatba lehet bedugni. Ha a csatlakozót nem lehet teljesen bedugni az aljzatba, fordítsa meg. Ha még mindig nem illeszkedik, akkor szakképzett villanyszerelővel szereltesse be másik polarizált csatlakozót. Ne alakítsa át a csatlakozót.** A kettős szigetelésnek köszönhetően nincs szükség háromeres földelt tápkábelre és földelt áramellátó rendszerre.
- **Ne használja helytelenül a vezetéket. Tilos a gépi szerszámot a csatlakozósinórnál fogva szállítani, mozgatni, illetve a készülékédugót a csatlakozósinórnál fogva kihúzni. Tartsa távol a vezetéket hőtől, olajtól, éles sarkoktól vagy mozgó alkatrészektől.** A sérült vagy összehurkolódott vezetékek növelik a villamos áramütés veszélyét.
- **A beépített akkumulátorral rendelkező akkumulátoros eszközökkel és külön akkumulátorral csak az akkumulátorhoz előírt töltővel tölthető.** Egy adott típusú akkumulátorhoz alkalmas töltő másik akkumulátorral használva tűzveszélyes lehet.
- **A töltő csak beltéri használatra szolgál. Ne tegye ki esőnek a töltőt. Ne használja a töltőt gőzben vagy nedves helyeken.** Villamos áramütés vagy más személyi sérülés következhet be.
- **Mindig az előírt hálózati feszültséget használja.** A nem megfelelő feszültség használata villamos áramütést, tüzet, rendellenes működést és balesetveszélyt eredményezhet.
- **Ne érintse meg ujjal, huzallal vagy más vezetőképes anyaggal az akkumulátortöltő kivezetéseit. Csak engedélyezett Ingersoll Rand akkumulátort használjon.** Villamos áramütés vagy más személyi sérülés következhet be.
- **Ne próbálja újratölteni a nem-tölthető akkumulátorokat.** Villamos áramütés, tűz vagy személyi sérülés következhet be.

#### Személyi Biztonság

- **Ne alakítsa át a terméket, a biztonsági berendezéseket, vagy a tartozékokat.** Az illetéktelen módosítások villamos áramütést, tüzet vagy személyi sérülést okozhatnak.
- **Ne használja a terméket a rendeltetésétől eltérő célokra.** Villamos áramütés, tűz vagy más személyi sérülés következhet be.
- **Csatlakoztatás előtt helyezze a töltőt szilárd alapfelületre. Tartsa a töltőt gyerekektől elzárva.** A helytelenül tárolt, vagy gyermekek által használt eszköz villamos áramütést, tüzet vagy személyi sérülést okozhat.

## Használat és Ápolás

- **Ha a töltő sérült vagy meghibásodott, ne használja! Azonnal húzza ki a hálózati csatlakozódugóját, cserélje ki vagy javíttassa meg.** További használata elektromos áramütéshez, tűz keletkezéséhez vagy személyi sérüléshez vezethet.
- **Egyetlen feliratot se távolítson el. A sérült feliratokat cserélje ki.** A feliratok a termék biztonságos használatával kapcsolatban nyújtanak tájékoztatást.

## Javítás

- **A javítást kizárólag feljogosított Ingersoll Rand szervizközpont, vagy hasonlóan képzett személy végezheti.** A szerszám szakképzetlen személy általi javítása vagy karbantartása sérülésveszélyt eredményezhet.
- **Ne nyissa fel az eszköz fedelét, vagy külső borítását. A készülék nem tartalmaz a felhasználó által javítható alkatrészeket.** Villamos áramütés vagy más személyi sérülés következhet be.
- **A sérült csatlakozószínort felhatalmazott Ingersoll Rand szervizközponttal, vagy hasonlóan képzett személlyel kell kicseréltetni.** A sérült, illetve helytelenül csatlakoztatott vezetékek növelik a villamos áramütés veszélyét.

## MEGJEGYZÉS

A modellspecifikus biztonsági információkat a termékismertető kézikönyvben találja.

### A Biztonsági Szimbólumok Jelmagyarázata



Robbanásveszély.  
A használathoz tartsa be az összes biztonsági előírást.



Viseljen szemvédő  
eszközt



Viseljen hallásvédő  
eszközt



A termék működtetése előtt  
olvassa el a kézikönyveket



(Rajkszám: 16589525)

### Biztonsági Információk – A Biztonsági Vonatkozású Szavak Jelentése

#### **VESZÉLY**

Olyan küszöbön álló veszélyes helyzetre utal, amely, ha nem kerülik el, halálhoz vagy súlyos sérüléshez vezethet.

#### **VIGYÁZAT**

Olyan lehetséges veszélyes helyzetre utal, amely, ha nem kerülik el, halálhoz vagy súlyos sérüléshez vezethet.

#### **FIGYELEM**

Olyan lehetséges veszélyes helyzetre utal, amely, ha nem kerülik el, könnyű vagy közepes sérüléshez illetve vagyoni kárhoz vezethet.

#### **MEGJEGYZÉS**

A személyi biztonsághoz illetve vagyonvédelemhez közvetlenül vagy közvetve kapcsolódó információt vagy vállalati irányelvet jelöl.

### Tájékoztató a Termék Alkatrészeiről

#### **FIGYELEM**

**A nem eredeti Ingersoll Rand pótalkatrészek használata biztonsági kockázatot, csökkenti teljesítményt és megnövekedett karbantartási igényt jelenthet, továbbá érvénytelenítheti a garanciákat.**

**A javításokat csak arra feljogosított, szakképzett személy végezheti. Forduljon az Ingersoll Rand legközelebbi hivatalos szervizközpontjához.**

Az eredeti utasítások angolul elérhetőek. A más nyelveken olvasható utasítások az eredeti utasítás fordításai.

A kézikönyvek letöltési címe: [ingersollrandproducts.com](http://ingersollrandproducts.com).

Közönlivalóit juttassa el a legközelebbi **Ingersoll Rand** irodához vagy forgalmazóhoz.

## Gaminio aprašas

Akumuliatorinis smūginis veržliasukis yra akumuliatoriumi varomas rankinis prietaisas, kuriuo rotaciniais smūginiais judesiais galima priveržti arba atsukti sriegines jungtis. Tam skirtos specialiai sutvirtintos smūginės galvutės.

### ĮSPĖJIMAS

#### Bendrosios Saugos Taisyklės

- **Įspėjimas!** Perskaitykite visus nurodymus. Jeigu nesilaikysite visų toliau pateikiamų nurodymų, galite gauti elektros smūgį, sukelti gaisrą ir (arba) sunkiai susižaloti. Saugokite visus įspėjimus ir nurodymus kaip informaciją ateičiai. Visuose tolesniuose įspėjimuose minimas elektrinis įrankis reiškia prie elektros tinklo laidų jungiamą elektrinį įrankį arba belaidį akumuliatoriumi maitinamą elektrinį įrankį.
- **Jūs atsakingas už tai, kad ši saugos informacija būtų prieinama visiems, kurie dirbs su šiuo gaminiu.** Jeigu nesilaikoma nustatytų standartų ir taisyklių, žmonės gali susižaloti.
- **Prijungdami, naudodami, tikrindami šį gaminį ir atlikdami jo techninės priežiūros darbus laikykitės visų jam taikomų standartų ir taisyklių (vietinių, valstijos, šalies, federalinių ir t. t.).** Jūs atsakote už tai, kad būtų laikomasi visų nurodymų. Jeigu nesilaikoma nustatytų standartų ir taisyklių, žmonės gali susižaloti.

#### Darbo vietos sauga

- **Pasirūpinkite, kad darbo vieta būtų švari ir tinkamai apšviesta.** Dėl netvarkingų darbastalių ir nepakankamo apšvietimo gali įvykti nelaimingas atsitikimas.
- **Nesinaudokite elektriniais įrankiais sprogioje aplinkoje, t. y. tokiose vietose, kur yra degiųjų skysčių, dujų ar dulkių.** Elektriniai įrankiai kibirkščiuoja, o kibirkštys gali uždegti dulkes ar garus.
- **Kai dirbate su elektriniu įrankiu, vaikai ir jus stebintys žmonės turi laikytis atokiai.** Jie gali atitraukti jūsų dėmesį, todėl įrankį galite netyčia paleisti iš rankų.
- **Savo darbo vietoje saugokitės į žemę užkastų, paslėptų ar kitaip pavojų keliančių objektų.** Nelieskite ir nesugadinkite laidų, laidininkų, vamzdžių arba žarnų, kuriuose gali būti elektros laidų, sprogiųjų dujų ar pavojingų skysčių. Gali kilti gaisras, išstikti elektros smūgis arba kitokia trauma.

#### Elektrosauga

- **Elektrinio įrankio kištukąjunkite tik į jam tinkamą laidą.** Jokiu būdu kištuko nekeiskite. Dirbdami įžemintais elektrinis įrankiais nenaudokite kištukų adapterių. Naudojant nemodifikuotus kištukus ir jiems tinkamus lizdus sumažės smūgio pavojus.
- **Nelieskite įžemintų paviršių, pvz., vamzdžių, radiatorių, viryklių ir šaldiklių.** Prisilietę prie įžemintų paviršių galite nukentėti nuo elektros srovės.
- **Nelaisykite elektros įrankių lietuje arba drėgnoje aplinkoje.** Į elektrinį įrankį patekus vandeniui padidės elektros smūgio pavojus.
- **Tinkamai elkitės su laidu.** Jokiu būdu neneškite, netraukite ir neišjunkite elektrinio įrankio paėmę už laido. Laidą saugokite nuo karščio, tepalų, aštrių briaunų arba judamųjų dalių. Sugedus arba susinarpliojus laidams padidėja elektros smūgio pavojus.
- **Dirbdami su elektriniu įrankiu lauke naudokite lauko sąlygoms tinkamą ilgutuvą.** Naudojant lauko sąlygoms tinkamą laidą sumažėja elektros smūgio pavojus.
- **Jei naudoti variklinį įrankį drėgnoje vietoje būtina, jį maitinkite iš liekamosios srovės įtaisų apsaugoto šaltinio.** Naudojant liekamosios srovės įtaisus sumažėja elektros smūgio pavojus.
- **Žiūrėkite, kad tinklo įtampa sutaptų su įtampa, nurodyta gaminio techniniuose dokumentuose.** Netinkama įtampa gali sukelti elektros smūgį, gaisrą, sutrikdyti prietaiso veikimą, sužaloti žmones.
- **Pasirūpinkite, kad visi elektros laidai ir kabeliai būtų reikiamo ilgio ir visi kištukai bei jungtys būtų tinkamai sujungtos.** Pernelyg ilgi laidai ir netvarkingos jungtys gali sukelti gaisrą, elektros smūgį ar kitaip sužeisti žmones.

#### Asmeninė Sauga

- **Dirbdami su elektriniu įrankiu būkite budrus, atidžiai dirbkite savo darbą, vadovaukitės sveiku protu. Nesinaudokite elektriniu įrankiu pavargę arba apsvaigę nuo narkotikų, alkoholinių gėrimų ar vaistų.** Jei dirbdami su elektriniu prietaisu nors akimirka prarastė budrumą, galite sunkiai susižeisti.
- **Naudokitės saugos įranga. Būtinai užsidėkite apsauginius akinius.** Tam tikromis sąlygomis naudojant tam tikrą saugos įrangą, kaip antai respiratorių, apsauginius batus su neslystančiais padais, šalma arba apsaugines ausines, sumažėja sužalojimų.
- **Pasirūpinkite, kad įrankis neįsijungtų atsitiktinai. Įsitikinkite, kad prieš jungiant į elektros laidą jungiklis išjungtas.** Jei nešite elektrinį įrankį pirštu nuspaudę jungiklį arba jungsite jį į laidą, kai jungiklis jungtas, gali įvykti nelaimingas atsitikimas.
- **Prieš jungdami elektrinį įrankį ištraukite visus reguliavimo raktus ir nuimkite veržliaraščius.** Veržliaraškis ar raktas, paliktas ant sukamosios elektrinio įrankio dalies, gali sužeisti.
- **Dirbdami nepamirškite per daug į priekį. Visą laiką tvirtai stovėkite ant grindų ir išlaikykite pusiausvyrą.** Taip geriau suvaldysite elektrinį įrankį susidarius netikėtai situacijai.
- **Tinkamai apsirenkite. Nevilkėkite laisvų drabužių, nusiimkite papuošalus. Ilgus plaukus paslėpkite po galvos apdangalu. Žiūrėkite, kad plaukai, drabužiai ir pirštines nesilieštų su judamosiomis dalimis.** Judamosios dalys laisvus drabužius, papuošalus ar ilgus plaukus gali įtraukti.
- **Jeigu turite prie dulkių išsiurbimo ir surinkimo įrengimų jungti tam tikrus prietaisus, būtinai juos prijunkite ir tinkamai naudokite.** Naudojant tokius prietaisus gali sumažėti su dulkėmis susiję pavojai.
- **Apdorojamą detalę pritvirtinkite prie stabiliaus paviršiaus gnybtais arba kitu priimtinu būdu.** Detalė, laikoma ranka arba prispausta prie kūno, netvirtai laikysis ir gali išsprūsti.
- **Pasirūpinkite, kad ant odos ir į kvėpavimo takus nepatektų darbo su įrankiu metu susidariusių kenksmingų dulkių arba dalelių.**
  - Kai kuriose dulkėse, susidaranciose šveičiant, pjaunant, šlifuojant, gręžiant ar atliekant kitus statybos darbus, yra cheminių medžiagų, galinčių sukelti vežines ligas, apsigimimus ar kitaip pakenkti reprodukcinei funkcijai. Tokių cheminių medžiagų pavyzdžiai:
    - švinas iš dažų, kuriuose jo yra,
    - kvarco kristalai iš plytų, cemento ir kitų statybinių medžiagų,
    - arsenas ir chromas iš chemiškai apdorotos medienos.
  - Rizikos apsinuodyti šiomis medžiagomis tikimybė priklauso nuo to, kaip dažnai atliekate tokio pobūdžio darbus. Kad sumažėtų apsinuodijimo šiomis cheminėmis medžiagomis galimybė, dirbkite gerai vėdinamoje aplinkoje naudodamiesi sertifikuotomis saugos priemonėmis, pavyzdžiui, kaukėmis nuo dulkių, kurios apsaugo nuo mikroskopinių dalelių.

- **Daugiau nedirbkite su jokia prietaisu, jei pajutote diskomfortą, dilgčiojimą arba skausmą.** Dėl vibracijos, monotoniškų judesių ir nepatogios kūno padėties gali nukentėti rankos. Naudojamas prietaisas gali vibruoti. Pasikonsultuokite su gydytoju prieš vėl pradėdami dirbti su prietaisu.
- **Skleidžiama vibracija realaus naudojimo metu gali skirtis nuo deklaruojamos reikšmės, nes tai priklauso nuo įrankio naudojimo būdų.** Imkitės reikiamų saugos priemonių, kad apsaugotumėte operatorių, vadovaudamiesi realaus naudojimo numatomu poveikiu.
- **Nesilieskite prie judamųjų įrankio dalių.** Išjungus elektros srovę, įrankis ir (arba) jo priedai gali dar kurį laiką sukintis ir įtraukti galūnę arba kitaip sužaloti.

### Elektrinio Ārankio Naudojimas ir Priėbiūra

- **Dirbdami nenaudokite per didelės jėgos. Tam tikram darbi išsirinkite tinkamą elektrinį įrankį.** Tada geriau ir saugiau atliksite darbą tokia sparta, kokiai šis elektrinis įrankis pritaikytas.
- **Nenaudokite elektrinio įrankio, jeigu neįmanoma jo įjungti arba išjungti jungikliu.** Elektrinis įrankis, kurio neįmanoma valdyti su jungikliu, kelia pavojų, jį būtina taisyti.
- **Prieš reguliuodami elektrinį įrankį, keisdami jo priedus arba padėdami laikyti atjunkite jį nuo maitinimo šaltinio.** Laikantis tokių saugos priemonių sumažės įrankio atsitiktinio išjungimo pavojus.
- **Nenaudokite elektrinius įrankius laikykite vaikams nepasiekiamoje vietoje ir neleiskite asmenims, nemokantiems naudotis elektriniais įrankiais ir neskaiciuems šių nurodymų, jais dirbti.** Įrankiai, patekę į nemokančių su jais dirbti asmenų rankas, kelia pavojų.
- **Elektrinius įrankius prižiūrėkite; patikrinkite, ar tinkamai suderintos judamosios dalys, ar jos nestringa, ar įrankio dalys neįtrūkusios ir ar nėra kokių nors kitų aplinkybių, galinčių paveikti įrankio veikimą.** Jei yra sugedusių dalių, jas būtina sutaisyti, ir tik tada galima elektriniu įrankiu naudotis. Daugybės nelaimingų atsitikimų priežastis – netinkamai prižiūrimi elektriniai įrankiai.
- **Pjovimo įrankiai turi būti aštrūs ir švarūs.** Tinkamai prižiūrimi įrankiai su aštriais ašmenimis rečiau stringa, juos lengviau valdyti. Kad įrankiais būtų lengva naudotis, rankenos turi būti švarios ir sausos.
- **Elektrinį įrankį, jo priedus, antgalius ir kt. naudokite laikydamies šių nurodymų ir tik pagal konkretaus elektrinio įrankio paskirtį, įvertinę darbo sąlygas ir darbą, kurį turite atlikti.** Naudojant elektrinį įrankį ne pagal paskirtį gali susidaryti pavojinga situacija.
- **Jeigu dirbate su pirštinėmis, žiūrėkite, kad paleidimo mechanizmas neišlystų iš rankos.** Galite susižeisti.
- **Nenuplėškite jokių etikečių.** Sugadintas etiketes pakeiskite naujomis. Etiketėse pateikiama būtina informacija apie saugų gaminio naudojimą.

### Akumulatoriaus naudojimas ir priežiūra

- **Akumuliatorių kraukite tik su gamintojo nurodytu krovikliu.** Jeigu kroviklis, tinkantis vieno tipo akumuliatoriams, naudojamas kito tipo akumuliatoriams krauti, gali kilti gaisras.
- **Elektrinį įrankį naudokite tik su jam skirtu akumuliatoriumi.** Naudodami kitokius akumuliatorius galite susižaloti arba sukelti gaisrą.
- **Nenaudojamą akumuliatorių laikykite atokiau nuo kitų metalinių daiktų, pvz., popieriaus sąvaržėlių, monetų, raktų, vinių, varžtų ar kitų smulkių metalinių daiktų, kurie tarp gnybtų gali sudaryti jungtį.** Trumpasis akumulatoriaus gnybtų jungimas gali nudeginti arba sukelti gaisrą.
- **Nesilieskite su akumuliatoriumi, iš kurio dėl netinkamo naudojimo ištekoje elektrolitas. Jeigu netyčia užtško elektrolito, nuplaukite jį vandeniu. Jei elektrolito pateko į akis, būtina kreiptis į gydytoją.** Iš akumulatoriaus ištekėjęs elektrolitas gali sudirginti arba nudeginti.
- **Pasirūpinkite, kad prieš dedant akumuliatorių jungiklis būtų išjungtas.** Dedant akumuliatorių į įjungtą elektrinį įrankį gali įvykti nelaimingas atsitikimas.
- **Prieš reguliuodami arba keisdami priedus, atjunkite akumuliatorių nuo įrankio arba nustatykite jungiklį į išjungimo padėtį.** Dėl tokių saugos priemonių sumažės atsitiktinio įrankio įjungimo pavojus.
- **Elektriniai įrankiai perkais, jei bus ilgai įjungti įrankio varikliui esant labai apkrautam, sustabdytam ar kitokiu būdu sutrukdžius variklio sukimaši.** Taip nutikus išjunkite įrankį. Neišjungus įrankio, esant tokiai situacijai, jis gali perkaisti, iš jo gali pradėti rūkti dūmai arba kilti gaisras, o tai sužeisti jus arba sugadinti įrankį.
- **Prieš padėdami įrankį saugoti arba įdėdami jį į įrankių dėžę ar maišą, atjunkite akumuliatorių nuo įrankio. Atsitiktiniai transportavimo ar saugojimo metu išjungę įrankis gali perkaisti ir sukelti pavojų.** Nevaldomas įrankis gali sukelti įvairių pavojų: karštį, dūmus ar gaisrą.
- **Neužkimškite korpuso ausinimo angų – įrankis gali perkaisti.** Taip naudojamas įrankis gali įkaisti, paskleisti dūmų arba sukelti gaisrą, o dėl to gali susižaloti žmonės arba sugesti turtas.
- **Įrankis gali perkaisti naudojamas be pertraukos arba kitokiomis sudėtingomis sąlygomis. Jei palietę jaučiate, kad kuri nors įrankio dalis perkaisto, arba pamatote iš variklio sklindančius dūmus, nedelsdami nutraukite darbą ir palaukite, kol įrankis atvės.** Toliau taip naudojamas įrankis gali sugesti, sužaloti darbininką, arba dėl karščio ar gaisro gali sugesti turtas.
- **Nedelsdami nutraukite darbą ir pakeiskite akumuliatorių, jei jis darbo metu per daug įkaista arba pernelyg greitai išsikrauna.** Paprastai tokie akumulatoriai pasižymi dideliu įkrovos/iškrovos ciklų skaičiumi, taigi jie gali būti pasenę arba sugedę. Toliau naudojant sugedusį akumuliatorių dėl karščio, gaisro arba sprogmio galima susižaloti arba sugadinti turtą.
- **Neperdarykite šio įrankio, jo saugos įtaisų ar priedų.** Dėl neleistinų keitimų gali ištikti elektros smūgis, kilti gaisras arba galite susižeisti.
- **Naudokite tik tuos priedus, kuriuos Jūsų modeliui rekomenduoja "Ingersoll Rand".** Priedai, kurie tinka vienam prietaisui, gali kelti pavojų, jei bus naudojami su kitu.
- **Nenuplėškite jokių etikečių.** Sugadintas etiketes pakeiskite naujomis. Etiketėse pateikiama būtina informacija apie saugų gaminio naudojimą.

### Techninė Priežiūra

- **Elektrinį įrankį leiskite taisyti tik kvalifikuotam meistriui, naudojančiam originalias atsargines dalis.** Taip užtikrinsite, kad nesumažės elektrinio įrankio saugumas.
- **Taisydami įrankį naudokite tik originalias "Ingersoll Rand" atsargines dalis ir laikykitės Techninės priežiūros nurodymų.** Jeigu bus naudojamos neoriginalios dalys arba nesilaikoma techninės priežiūros nurodymų, gali kilti elektros smūgio ar sužeidimo pavojus.
- **Akumuliatorių negalima deginti ir įkaitinti daugiau kaip iki 100 °C (212 °F).** Jeigu akumuliatoriumi naudojama netinkamai, kyla gaisro arba cheminių nudegimų pavojus.
- **Akumuliatorius perdirbkite arba išmeskite griežtai laikydamies visų taikomų standartų ir taisyklių (vietinių, valstijos, šalies, federalinių ir t. t.)** Netinkamas utilizavimas kelia grėsmę aplinkai.

**⚠ | SPĖJIMAS****Saugos Taisyklės, Taikomos Šiam Gaminiiui**

- **Dirbdami darbą, kurio metu pjovimo įrankis gali pataikyti į paslėptais elektros laidus, prietaisą laikykite už izoliuotų rankenų.** Įrankiai pataikius į laidą, kuriuo teka elektros srovė, ji jms tekėti ir neizoliuotomis metalinėmis prietaiso dalimis, tad dirbantį asmenį ištiksi elektros smūgis.
- **Jei šio modelio prietaisas veikia dviem kryptimis, prieš pradėdami dirbti patikrinkite atbulinės krypties mechanizmo padėtį.** Žinant sukimosi kryptį, prietaisą lengviau valdyti.
- **Naudokite tik smūginės galvutės ir priedus.** Nenaudokite rankiniam naudojimui skirtų (chromuotų) galvučių ir priedų. Dirbant jie gali lūžti ir sužeisti.
- **Reguliariai tikrinkite prietaiso pavaros pusę, patikrinkite, ar gerai veikia galvutės laikiklis, taip pat apžiūrėkite, ar nenudilę galvutės ir pavaros antgaliai.** Abiem atvejais besisukanti galvutė gali nukristi.
- **Pneumatiniai veržliasukai nėra dinamometriniai raktai. Smūginiu veržliasukiu sutvirtintas jungtis, kurias reikia priveržti tam tikru momentu, būtina patikrinti dinamometru.** Jungtys, priveržtos netinkama jėga, gali atsilaisvinti ir sužeisti.
- **Jei kokios nors kliūtys gali sulaukyti droselį įjungimo pozicijoje, atvirų droselių naudoti negalima.** Gali atsitikti taip, kad negalėsime įrankio išjungti.
- **Šviesos spindulio nenukreipkite į žmogaus arba gyvūno akis.** Ryški šviesa gali pakenkti akims.

**Gaminio saugos informacija: Akumulatorius****Gaminio aprašas**

Akumulatorius – tai prietaisas elektros energijai laikyti, naudojamas kaip **Ingersoll Rand** belaidžių gaminiių elektros šaltinis.

**⚠ | SPĖJIMAS****Bendrieji akumulatoriaus saugos įspėjimai**

- **Įspėjimas! Perskaitykite visus saugos įspėjimus ir visus nurodymus.** Jei nesilaikysite nurodymų ir įspėjimų, galite gauti elektros smūgį, sukelti gaisrą ir (arba) sunkiai susižeisti.
- **Saugokite visus įspėjimus ir nurodymus kaip informaciją ateičiai.**
- **Jūs atsakingas už tai, kad ši informacija būtų prieinama visiems, kurie dirbs su šiuo gaminiiu.** Jeigu nesilaikoma nustatytų standartų ir taisyklių, žmonės gali susižaloti.
- **Prijungdami, naudodami, tikrindami ir prižiūrėdami šį gaminį laikykitės visų jam taikomų standartų ir taisyklių (vietinių, valstijos, šalies, federalinių ir t. t.).** Jūs atsakote už tai, kad būtų laikomasi visų nurodymų. Jeigu nesilaikoma nustatytų standartų ir taisyklių, žmonės gali susižaloti.
- Terminas "elektrinis įrankis" įspėjimuose taikomas akumuliatorių energiją naudojančiams (belaidžiams) elektriniams įrankiams.

**Elektros sauga**

- **Saugokite akumulatorius arba elektrinius įrankius nuo lietaus arba drėgmės.** Į akumuliatorių arba elektrinį įrankį patekus vandens padidėja elektros smūgio pavojus.

**Asmeninė sauga**

- **Šio gaminio, jo saugos įtaisų ar priedų perdaryti negalima.** Dėl neleistinų pakeitimų gali ištikti elektros smūgis, kilti gaisras arba susižaloti žmonės.

**Akumulatoriaus ir elektrinio įrankio naudojimas ir priežiūra**

- **Laikykite nenaudojamus akumulatorius ir elektrinius įrankius vaikams nepasiekiamoje vietoje ir neieškite su akumulatoriumi arba elektriniais įrankiais arba šiomis instrukcijomis nesusipažinusiems asmenims naudotis akumulatoriumi arba elektriniu įrankiu.** Nekvalifikuotų asmenų rankose akumulatoriai ir elektriniai įrankiai kelia pavojų.
- **Naudokite akumuliatorių, elektrinį įrankį, priedus, įrankių antgalius ir t. t. laikydamiesi šių instrukcijų, atsižvelgdami į darbo sąlygas ir atliekamas užduotis.** Naudojant akumuliatorių arba elektrinį įrankį ne pagal numatytą paskirtį gali susidaryti pavojinga situacija.
- **Akumuliatorių kraukite tik su gamintojo nurodytu krovikliu.** Kroviklis, tinkantis vienos rūšies akumuliatoriams, gali sukelti gaisrą, jei bus naudojamas kitos rūšies akumuliatoriui krauti. Žr. informacinę krovimo prietaisų instrukciją, kurioje yra papildomi įspėjimai dėl šio kroviklio naudojimo.
- **Elektrinį įrankį naudokite tik su jam skirtais akumuliatoriais.** Naudodami kitokius akumuliatorius galite susižaloti arba sukelti gaisrą.
- **Nenaudojamą akumuliatorių bloką laikykite atokiai nuo kitų metalinių daiktų, pvz., popieriaus sąvaržėlių, monetų, raktų, vinių, varžtų ar kitų smulkių metalinių daiktų, kurie tarp gnybtų gali sudaryti jungtį.** Trumpasis akumulatoriaus gnybtų jungimas gali sukelti kibirkščiavimą, gaisrą, nudegimus.
- **Nesilieskite prie akumulatoriaus, iš kurio dėl netinkamo naudojimo ištėkėjo elektrolitas.** Jeigu netyčia užtiško elektrolito, nuplaukite jį vandeniu. Jei elektrolito pateko į akis, būtina kreiptis į gydytoją. Iš akumulatoriaus ištėkėjęs elektrolitas gali sudirginti arba nudeginti.
- **Nedėsdami nutraukite darbą ir pakeiskite akumuliatorių, jei jis darbo metu per daug įkaista arba pernelyg greitai išsikrauna.** Paprastai tokie akumulatoriai pasižymi dideliu įkrovos/iškrovos ciklų skaičiumi, taigi jie gali būti pasenę arba sugedę. Toliau naudojant sugedusį akumuliatorių dėl karščio, gaisro arba sprogdimo galima susižaloti arba sugadinti turą.
- **Nenuplėškite jokių etiketėjų. Sugadintas etiketes pakeiskite naujomis.** Etiketėse pateikiama būtina informacija apie saugų gaminio naudojimą.
- **Saugokite akumulatorius nuo mechaninio smūgio.**
- **Nepalikite akumulatoriaus ilgai krautis, kai jo nenaudojate.**
- **Kai įmanoma, išimkite akumuliatorių iš įrenginio, jei jo nenaudojate.**
- **Nenaudokite fiziškai apgadintų akumuliatorių.**

### Priežiūra

- **Akumuliatorių negalima deginti ir įkaitinti daugiau kaip iki 100 °C (212 °F).** Jeigu akumuliatoriui naudojamas netinkamai, kyla gaisro arba cheminių nudegimų pavojus.
- **Akumuliatorius perdirbkite arba išmeskite griežtai laikydamiesi visų taikomų standartų ir taisyklių (vietinių, valstijos, šalies, federalinių ir t. t.)** Netinkamas utilizavimas kelia grėsmę aplinkai.
- **Neatidinkite dangčio ar korpuso. Viduje nėra jokių detalių, kurias galėtumėte taisyti pats vartotojas.** Galite patirti elektros smūgį arba susižeisti.

### Gaminio saugos informacija: Akumuliatorių kroviklis

#### Gaminio Aprašas

Akumuliatoriaus kroviklis yra elektros įtasis, kintamosios srovės elektros energiją paverčiantis nuolatinės srovės elektros energija, naudojama įkrauti elektros energiją kaupiantiems akumuliatoriams.

### ĮSPĖJIMAS

#### Bendrosios Saugos Taisyklės

- **Įdėmiai perskaitykite visus instrukcijas.** Jeigu nesilaikysite visų toliau pateiktų nurodymų, galite gauti elektros smūgį, sukelti gaisrą ir (arba) sunkiai susižaloti.
- **Jūs atsakingas už tai, kad ši saugos informacija būtų prieinama visiems, kurie dirbs su šiuo gaminiu.** Jeigu nesilaikoma nustatytų standartų ir taisyklių, žmonės gali susižaloti.
- **Prįjungdami, naudodami, tikrindami šį gaminį ir atlikdami jo techninės priežiūros darbus laikykitės visų jam taikomų standartų ir taisyklių (vietinių, valstijos, šalies, federalinių ir t. t.).** Jūs atsakote už tai, kad būtų laikomasi visų nurodymų. Jeigu nesilaikoma nustatytų standartų ir taisyklių, žmonės gali susižaloti.
- **Vaikus reikia prižiūrėti ir užtikrinti, kad jie nežaistų su prietaisais.**
- **Šio prietaiso negalima naudoti asmenims su fiziniais, sensoriniais arba psichiniais sutrikimais arba jei jiems nepakanka gaminio naudojimo patirties ir žinių, nebent jie yra prižiūrimi arba apmokyti kaip naudoti prietaisą, asmens, kuris yra atsakingas už jų saugumą.**

#### Darbo vietos sauga

- **Nesinaudokite akumuliatoriaus krovikliu sprogioje aplinkoje, t. y. tokiose vietose, kur yra degiųjų skysčių, dujų arba dulkių.** Akumuliatoriaus kroviklis kartais kibirkščiuoja, o kibirkštys gali uždegti dulkes arba garus.

#### Elektrosauga

- **Gaminiai su dviguba izoliacija turi poliarizuotą šakutę (viena jos geležtė platesnė už kitą.) Šią šakutę į poliarizuotą lizdą galima įkišti tikta vienu būdu.** Jeigu šakutės neįmanoma iki galo įkišti į elektros lizdą, jį reikia apversti. Jei šakutė vis tiek nelenda, prašykite kvalifikuoto elektriko, kad įrengtų poliarizuotą lizdą. Jokių būdu nekeiskite šakutės. Kadangi yra dviguba izoliacija, nereikia trijų gijų žeminaimo laido ir įžemintos elektros energijos tiekimo sistemos.
- **Tinkamai elkitės su laidu.** Jokių būdu nekeiskite, netraukite ir neišjunkite elektrinio įrankio paėmę už laido. **Laidą saugokite nuo karščio, tepalų, aštrių briaunų arba judamųjų dalių.** Sugedus arba susinarpliojus laidams padidėja elektros smūgio pavojus.
- **Akumuliatorinį prietaisą su vidiniais maitinimo elementais arba atskiru akumuliatorių bloku galima krauti tik su konkrečiam akumuliatoriui skirtu krovikliu.** Jeigu kroviklis, tinkantis vieno tipo akumuliatoriams, naudojamas kito tipo akumuliatoriams krauti, gali kilti gaisras.
- **Kroviklis skirtas naudoti tik patalpose. Kroviklį saugokite nuo lietaus. Nesinaudokite krovikliu drėgnose arba šlapiose vietose.** Galite patirti elektros smūgį arba susižeisti.
- **Žiūrėkite, kad tinklo įtampa sutaptų su įtampa, nurodyta gaminio techniniuose dokumentuose.** Netinkama įtampa gali sukelti elektros smūgį, gaisrą, sutrikdyti prietaiso veikimą, sužaloti žmones.
- **Stenkitės neprisiliesti prie akumuliatoriaus krovimo įvadų – nei pirštais, nei laidais ar kitomis laidžiomis medžiagomis. Junkkite tik prie “Ingersoll Rand” rekomenduojamo akumuliatoriaus.** Galite patirti elektros smūgį arba susižeisti.
- **Nemėginkite krauti nekrautinų akumuliatorių.** Gali išstikti elektros smūgis, kilti gaisras arba galite susižeisti.

#### Asmeninė Sauga

- **Šio gaminio, saugos įtaisų arba priedų negalima perdaryti.** Dėl neleistinų keitimų gali išstikti elektros smūgis, kilti gaisras arba galite susižeisti.
- **Nenaudokite šio gaminio kitiems tikslams negu nurodyta.** Galite sukelti gaisrą, gauti elektros smūgį arba kitaip susižaloti.
- **Prieš jungiant prie elektros energijos šaltinio kroviklis turi būti pastatytas stabiliai. Laikykite kroviklį vaikams neprieinamoje vietoje.** Netinkamai pastatytas arba vaikų naudojamas kroviklis gali sukelti elektros smūgį, gaisrą arba sužaloti.

#### Naudojimas ir Priežiūra

- **Nenaudokite sugadinto arba prastai veikiančio įkroviklio. Nedelsdami jį išjunkite iš elektros tinklo ir nuneškite, kad pataisytų arba pakeistų.** Jei naudosite toliau, gali išstikti elektros smūgis, kilti gaisras arba galite susižeisti.
- **Nenuplėškite jokių etikečių. Sugadintas etiketes pakeiskite naujomis.** Etiketėse pateikiama būtina informacija apie saugų gaminio naudojimą.

#### Techninė Priežiūra

- **Remontuoti turi įgaliotas “Ingersoll Rand” remonto centras arba analogišką kvalifikaciją turintys remonto darbuotojai.** Įrankį taisyntys ar jo techninę priežiūrą atliekantys ne kvalifikuoti darbuotojai gali susižeisti.
- **Neatidinkite dangčio ar korpuso. Viduje nėra jokių dalių, kurias galėtumėte taisyti pats vartotojas.** Galite patirti elektros smūgį arba susižeisti.
- **Jei elektros maitinimo laidas pažeistas, jį turi pakeisti įgaliotas “Ingersoll Rand” remonto centras arba analogišką kvalifikaciją turintys darbuotojai.** Dėl sugadintų ar netinkamai prijungtų laidų padidėja elektros smūgio pavojus.

**PASTABA**

Informacijos apie konkretaus modelio saugą ieškokite gaminio instrukcijoje.

**Saugos Simboliai**

Sprogimo rizika.  
Naudodami vadovaukitės visomis  
saugos procedūromis.



Užsidėkite apsauginius  
akinius



Užsidėkite apsaugines  
ausines



Prieš pradėdami darbą su šiuo  
gaminiumi perskaitykite instrukcijas



(Brėž. 16589525)

**Saugos Informacija – Reikšminių Saugos Žodžių Paaiškinimas****PAVOJUS**

Žymi ypač pavojingas situacijas, kuriose gali žūti arba būti sunkiai sužaloti žmonės.

**ĮSPĖJIMAS**

Žymi galimas pavojingas situacijas, kuriose gali žūti arba būti sunkiai sužaloti žmonės.

**DĖMESIO**

Žymi galimas pavojingas situacijas, kuriose gali lengvai arba vidutiniškai susižaloti žmonės arba būti sugadintas turtas.

**PASTABA**

Žymi informaciją arba bendrovės politiką, tiesiogiai arba netiesiogiai susijusią su darbuotojų saugumu arba turto apsauga.

**Informacija Apie Gaminio Dalis****DĖMESIO**

**Jei keisite gaminio dalis kitomis, ne originaliomis "Ingersoll Rand" dalimis, gali padidėti pavojus susižaloti, sumažėti gaminio darbo našumas, prireikti dažnesnio remonto ir nustoti galiojė visos garantijos.**

**Gaminį gali taisyti tik įgalioti kvalifikuoti darbuotojai. Kreipkitės į artimiausią „Ingersoll Rand“ įgaliotąjį techninės priežiūros centrą.**

Originalios instrukcijos yra anglų kalba. Kitomis kalbomis yra originalių instrukcijų vertimas.

Instrukcijas galima parsisiųsti iš interneto svetainės [ingersollrandproducts.com](http://ingersollrandproducts.com).

Visais klausimais kreipkitės į artimiausią **Ingersoll Rand** atstovybę arba platintoją.

## Izstrādājuma Apraksts

Bezvada triecienu uzgrēžnātslēga ir ar akumulatoru darbināms, rokā turams mehāniskais instruments, kas izmanto rotācijas impulsus, lai ar īpaši cietinātām noņemamām uzmvām pievilkto stingrāk vai atlaistu vaļīgāk vītņotus stiprināšanas elementus.

## ⚠ BRĪDINĀJUMS

### Vispārīgi Drošības Tehnikas Noteikumi

- **Brīdinājums!** Izlasiet visas instrukcijas. Visu turpmāk norādīto instrukciju neievērošana var izraisīt strāvas triecienu, ugunsgrēku un/vai smagas traumas. Turiet visus brīdinājumus un norādījumus pieejamā vietā kā uzziņu materiālus turpmākai lietošanai. Termins "mehāniskais instruments" visos turpmāk uzskaitītajos brīdinājumos attiecas kā uz mehānisko instrumentu, ko darbina no elektriskā tīkla ("tīkla" instruments), tā arī uz mehānisko instrumentu, ko darbina no akumulatoriem (bezvadu instruments).
- **Jūs esat atbildīgs par to, lai šī darba drošības informācija būtu pieejama pārējiem, kuri strādās ar šo darbarīku.** Normu un noteikumu neievērošana var izraisīt traumas.
- **Montējot, darbinot, pārbaudot šo darbarīku, veicot tā tehnisko apkopi, vienmēr ievērojiet visus piemērojamos standartus un noteikumus (vietējos, valsts, federālos utt.).** Jūs esat atbildīgs par noteikumu ievērošanu. Normu un noteikumu neievērošana var izraisīt traumas.

### Darba zonas drošība

- **Rūpējieties, lai darba zona būtu tīra un labi apgaismota.** Pieblīvīti darbgaldi un tumšas zonas veicina negadījumu rašanos.
- **Nestrādājiet ar mehāniskajiem instrumentiem sprādzienbīstamā vidē, piemēram, ja tuvumā ir viegli uzliesmojoši šķidrums, gāzes vai putekļi.** Mehāniskie instrumenti rada dzirksteles, kas var aizdedzināt putekļus vai tvaikus.
- **Kamēr strādājat ar mehānisko instrumentu, neļaujiet tuvoties bērniem un vērotājiem.** Uzmanības novēršana var likt jums zaudēt kontroli.
- **Sargieties no apraktiem, paslēptiem vai citāda veida draudiem jūsu darba vietā. Neaizskariet un nebojājiet vadus, izolāciju, caurules vai šļūtenes, kurās var atrasties elektriskie vadi, sprādzienbīstamas gāzes vai kaitīgi šķidrums.** Var rasties strāvas trieciens, ugunsgrēks vai traumas.

### Elektrodrošība

- **Mehāniskā instrumenta kontaktdakšai jāatbilst kontaktlīdzdai. Nekādā veidā nepārveidojiet kontaktdakšu. Neizmantojiet jebkādas adaptera kontaktdakšas ar iezemētiem mehāniskajiem instrumentiem.** Nepārveidotas kontaktdakšas un salāgotas kontaktlīdzdas samazinās elektriskās strāvas triecienu draudus.
- **Izvairieties no ķermeņa saskares ar iezemētām virsmām, piemēram, caurulēm, radiatoriem, plītim un ledusskapjiem.** Ja jūsu ķermenis ir iezemēts, pastāv paaugstināts risks dabūt strāvas triecienu.
- **Nepakļaujiet mehāniskos instrumentus lietum un mitrumam.** Mehāniskajā instrumentā iekļuvis ūdens palielina strāvas triecienu draudus.
- **Neizmantojiet kabeli nepareizi.** Kabeli nekad neizmantojiet mehāniskā instrumenta pārnesšanai, vilkšanai vai atvienošanai **no kontaktlīdzdas.** Netuviniet kabeli karstuma avotiem, eļļām, asām šķautnēm un kustīgām daļām. Bojāti vai sapīti kabeli palielina strāvas triecienu draudus.
- **Strādājot ar mehānisko instrumentu ārā, lietojiet kabeļa pagarinātāju, kas ir piemērots darbam brīvā dabā.** Kabeļa lietošana, kas ir piemērots darbam brīvā dabā, samazina strāvas triecienu draudus.
- **Ja nav iespējams izvairīties no elektriska rīka lietošanas mitrā vietā, izmantojiet strāvas padevi, kas aizsargāta ar paliekošas strāvas ierīci (RCD - residual current device).** Lietojot RSD, tiek mazināts elektrošoka risks.
- **Vienmēr izmantojiet norādīto barošanas spriegumu.** Nepareizs spriegums var izraisīt strāvas triecienu, ugunsgrēku vai nepareizu ierīces darbību un radīt traumas.
- **nodrošiniet, lai visu elektrisko vadu un kabeļu izmēri būtu pareizi un visas kontaktdakšas un savienotāji būtu stingri nostiprināti.** Pārāk tievi vadi un vaļīgi savienojumi var izraisīt strāvas triecienu vai ugunsgrēku, kā arī radīt traumas.

### Personiskā Drošība

- **Strādājot ar mehānisko instrumentu, saglabājiet modrību, rūpīgi sekojiet līdzi savām darbībām un palūdzieties uz veselo saprātu.** Nelietojiet mehānisko instrumentu, ja esat noguris vai atrodienu narkotisko vielu, alkohola vai medikamentu ietekmē. Neuzmanības mirklis, strādājot ar mehānisko instrumentu, var izraisīt smagu traumu.
- **Izmantojiet drošības aprīkojumu. Vienmēr valkājiet aizsargbrilles.** Drošības aprīkojums, piemēram, respirators, kurpes ar neslidošu zoli, ķivere vai ausu aizsargi, ko lieto attiecīgos apstākļos, samazinās traumu iegūšanas iespēju.
- **Izvairieties no nejaušas instrumenta iedarbināšanas.** Pirms instrumenta pievienošanas elektriskajai strāvai **pārliecinieties, vai slēdzis atrodas izslēgtā stāvoklī.** Mehānisko instrumentu pārnesšana, kad uz slēdža atrodas pirksts, vai mehānisko instrumentu pieslēgšana strāvas avotam, kad slēdzis ir ieslēgts, var izraisīt nelaimes gadījumus.
- **Pirms mehāniskā instrumenta ieslēgšanas izņemiet jebkādas regulēšanas atslēgas vai uzgrēžnātslēgas.** Uzgrēžnātslēga vai atslēga, kas ir atstāta piestiprināta rotējošai mehāniskā instrumenta daļai, var radīt traumas.
- **Nesniedzieties pāri instrumentam. Vienmēr pienācīgi balstieties uz kājām un saglabājiet līdzsvaru.** Tas ļauj labāk saglabāt kontroli pār mehānisko instrumentu negaidītās situācijās.
- **Uzvelciet piemērotu apģērbu. Nevalkājiet vaļīgas drānas un rotaslietas. Garus matus saņemiet ciet. Matus, drānas un cimdus netuviniet kustīgām daļām.** Vaļīgas drānas, rotaslietas vai garus matus var ieraut kustīgajās daļās.
- **Ja ir paredzētas ierīces putekļu satveršanas un savākšanas līdzekļu pieslēgšanai, nodrošiniet, lai šie līdzekļi būtu pieslēgti un lietoti pareizi.** Šo ierīču lietošana var samazināt ar putekļiem saistīto bīstamību.
- **Izmantojiet skavas vai citu praktisku paņēmienu, lai nostiprinātu apstrādājamo materiālu uz stabilas pamatnes.** Apstrādājamā gabala turēšana rokā vai atbalstot pret ķermeni ir nestabila un var izraisīt kontroles zaudēšanu.
- **Pasargājiet sevi no mehāniskā instrumenta lietošanas rezultātā radušos kaitīgo putekļu un daļiņu iedarbības, neieelpojiet tos.**

- Ir noskaidrots, ka mehāniskās pulēšanas, zāģēšanas, slīpēšanas, urbšanas un citu celtniecības darbu radītajos putekļos var būt ķīmiskas vielas, kas izraisa vēzi, rada iedzimtības defektus un atstāj citu nelabvēlīgu ietekmi uz reproduktīvo veselību. Daži šo ķīmisko vielu piemēri:
  - svins no krāsām, kurās izmantoti svina piejaukumi,
  - kristāliskais silīcija dioksīds no ķieģeļiem, cementa un citiem mūrniecības materiāliem un
  - arsēns un hroms no ķīmiski apstrādātiem kokmateriāliem.
- Riska līmenis, pakļaujot sevi šim nelabvēlīgajam ietekmēm, atkarīgs no tā, cik bieži strādājat šādus darbus. Lai samazinātu šo ķīmisko vielu ietekmi: strādājiet labi vēdināmā vietā, izmantojiet sertificētu drošības inventāru, piemēram, putekļu maskas, kas speciāli paredzētas mikroskopisko daļiņu aizturēšanai.
- **Pārtrauciet darbu ar jebkuru instrumentu, ja rodas tirpoņa vai sāpes.** Vibrācija, atkarīgojās kustības vai neērtas pozas var būt kaitīgas jūsu plaukstām un rokām. Mehāniskie darbarīki strādājoņ var vibrēt. Pirms darba atsākšanas uzklaušiet ārsta padomu.
- **Elektriskā instrumenta vibrācijas stiprums faktiskās lietošanas laikā var atšķirties no deklarētās vērtības atkarībā no instrumenta lietošanas veida.** Ievērojiet piemērotus drošības pasākumus, lai nodrošinātu operatora aizsardzību, pamatojoties uz iedarbības novērtējumu faktiskās izmantošanas laikā
- **Izvairieties no saskares ar kustīgajām instrumenta daļām.** Instruments un/vai tā piederumi var izslaiķi turpināt kustību pēc tam, kad ir atslēgta strāva, tādējādi radot saspīšanās vai citāda veida traumas draudus.

## Mehānisko Instrumentu Lietošana un Apkope

- **Nespiediet mehānisko instrumentu ar spēku.** Izmantojiet savam uzdevumam piemērotāko mehānisko instrumentu. Pareizais mehāniskais instruments paveiks vajadzīgo darbu labāk un drošāk ar to apgriezienu skaitu, kādam tas konstruēts.
- **Nelietojiet mehānisko instrumentu, ja slēdzis to neieslēdz vai neizslēdz.** Jebkurš mehāniskais instruments, ko nevar vadīt ar slēdzi, ir bīstams un jāremontē.
- **Pirms mehāniskā instrumenta regulēšanas, piederumu nomainīšanas vai instrumenta novietošanas uzglabāšanai atvienojiet mehāniskā instrumenta kontaktakšus no barošanas avota.** Šādi profilaktiski drošības pasākumi samazina instrumenta netišas iedarbināšanas risku.
- **Mehāniskos instrumentus, ko pašlaik nelieto, uzglabājiet bērniem nepieejamās vietās, un neļaujiet mehānisko instrumentu darbināt personām, kas nepazīna atbilstošo instrumentu vai šīs instrukcijas.** Neapmācītu lietotāju rokās instrumenti ir bīstami.
- **Veiciet mehānisko instrumentu tehnisko apkopi.** Pārbaudiet, vai kustīgās daļas nav nepareizi iecentretas vai saķērušās, vai nav salūzušu daļu, kā arī jebkuru citu apstākli, kas var ietekmēt mehāniskā instrumenta darbību. Ja mehāniskais instruments ir bojāts, pirms lietošanas to salabojiet. Nepietiekami apkopti mehāniskie instrumenti izraisa daudzus nelaimes gadījumus.
- **Griezējinstrumentus uzturiet asus un tīrus.** Pareizi apkoptiem instrumentiem ar asām griezējšķautnēm ir mazāka iespēja iesprūst, un tie ir vieglāk vadāmi. Lai saglabātu kontroli pār instrumentu, uzturiet rokturus tīrus un sausus.
- **Mehānisko instrumentu, piederumus, instrumentu uzgaļus utt. lietojiet atbilstoši šīm instrukcijām un veidā, kas paredzēts konkrētajam mehāniskā instrumenta tipam, ņemot vērā darba apstākļus un veicamo darbu.** Mehāniskā instrumenta lietošana darbībā, kas atšķiras no šim instrumentam paredzētajām, var izraisīt draudīgu situāciju.
- **Ja strādājat cimdos, pārlicinieties, vai cimdi netraucē atbrīvot slēdža mehānismu.** Tas var radīt traumas.
- **Neņemiet nost apzīmējumu plāksnītes. Bojātas plāksnītes nomainiet.** Plāksnītes sniedz informāciju, kas vajadzīga, lai šo izstrādājumu lietotu droši.

## Akumulatora lietošana un apkope

- **Uzklādējiet akumulatoru tikai ar tāda tipa lādētāju, kādu norādījis ražotājs.** Lādētājs, kas ir piemērots viena tipa akumulatoriem, var radīt aizdegšanās draudus, lietojot to ar citiem akumulatoriem.
- **Mehāniskos instrumentus lietojiet tikai ar precīzi norādīto akumulatoru.** Jebkuru citu akumulatoru lietošana var radīt traumu un aizdegšanās draudus.
- **Kad akumulators netiek lietots, neļaujiet tam saskarties ar citiem metāla priekšmetiem, tādēļ kā: papīra saspaušanas, monētas, atslēgas, naglas, skrūves vai citi sīki metāla priekšmeti, kas var radīt savienojumu starp abām spailēm.** Izsūgums starp akumulatora spailēm var izraisīt apdegumus vai ugunsgrēku.
- **Nepiemērotos apstākļos no akumulatora var tikt izviesta kāda viela; izvairieties no saskares ar to. Ja saskare ar šo vielu neļausi notiek, noskalojiet to ar ūdeni. Ja šķidrums turklāt ir skāris acis, meklējiet medicīnisko palīdzību.** No akumulatora izšķītais šķidrums var izraisīt iekaisumu vai apdegumu.
- **Pirms akumulatora ievietošanas pārlicinieties, vai slēdzis atrodas izslēgtā stāvoklī.** Akumulatora ievietošana mehāniskajā instrumentā, kad slēdzis ir ieslēgts, var izraisīt nelaimes gadījumus.
- **Pirms veicat jebkādu regulēšanu vai maināt piederumus, atvienojiet akumulatoru no instrumenta vai novietojiet slēdzi izslēgtā stāvoklī.** Šādi profilaktiski drošības pasākumi samazina instrumenta netišas iedarbināšanas risku.
- **Elektriskie instrumenti pārkarīs, ja tie paliek ieslēgti, kad instrumenta motoram ir spējīga pārslodze, tas tiek apstādīnāts vai kā citādi atturēts no rotācijas. Tādā gadījumā izslēdziet instrumentu.** Instrumenta apgāde ar strāvu šādos apstākļos var kļūt par cēloni karstumam, dūmiem vai ugunsgrēkam ar ievainojumiem vai īpašuma bojājumiem.
- **Pirms instrumenta novietošanas uzglabāšanai instrumenta kastē vai somā, atvienojiet akumulatoru no instrumenta. Netiša iedarbināšana uzglabāšanas vai transportēšanas laikā var izraisīt vairākus bīstamus apstākļus, tai skaitā instrumenta pārkaršanu.** Nekontrolēta instrumenta darbināšana var izraisīt dažādus draudus, tai skaitā karstumu, dūmus vai ugunsgrēku.
- **Neizspirostojiet korpusa dzesēšanas gaisa atveres, jo tas var izraisīt instrumenta pārkaršanu.** Instrumenta lietošana šādos apstākļos var kļūt par cēloni karstumam, dūmiem vai ugunsgrēkam, radot traumas vai īpašuma bojājumus.
- **Instrumentus var pārkarst ilgstošas lietošanas laikā vai darba ciklos ar lielu noslogojumu. Ja jebkura instrumenta daļa paliek tik karsta, ka tai nevar pieskarties, vai arī no motora nāk dūmi, nekavējoties pārtrauciet darbu un ļaujiet instrumentam atdzist.** Instrumenta lietošanas turpināšana šādos apstākļos var izraisīt instrumenta bojājumus, kā arī kļūt par cēloni traumām vai īpašuma bojājumiem no karstuma vai liesmām.
- **Nekavējoties pārtrauciet instrumenta lietošanu un nomainiet tādus akumulatorus, kas darba laikā pārkarst vai ātri izlādējas.** Parasti šādi akumulatori jau daudzas reizes ir uzklādēti/izlādēti vai arī tie ir veci vai bojāti. Ja turpina lietot sliktas kvalitātes akumulatoru, tas var radīt traumas vai īpašuma bojājumus karstuma, liesmu vai sprādziena dēļ.
- **Nepārveidojiet šo instrumentu, drošības iekārtas vai piederumus.** Ar ražotāju nesaskaņoti pārveidojumi var izraisīt strāvas triecienu, ugunsgrēku vai traumas.
- **Lietojiet tikai tādus piederumus, ko Jūsu modelim iesaka Ingersoll Rand.** Piederumi, kas ir piemēroti vienam instrumentam, var kļūt bīstami, lietojot tos ar citu instrumentu.
- **Neņemiet nost apzīmējumu plāksnītes. Bojātas plāksnītes nomainiet.** Plāksnītes sniedz informāciju, kas vajadzīga, lai šo izstrādājumu lietotu droši.

## Apkope

- **Savu mehānisko instrumentu nododiet remontā tikai kvalificētam remonta speciālistam, kas izmanto tikai identiskas rezerves daļas.** Tas garantēs mehāniskā instrumenta drošības saglabāšanu.
- **Remontējot instrumentu, izmantojiet tikai oriģinālās Ingersoll Rand rezerves daļas un izpildiet visas tehniskās apkopes instrukcijas.** Neapstiprinātu rezerves daļu izmantošana vai tehniskās apkopes instrukciju neievērošana var radīt strāvas trieciena vai traumas iegūšanas risku.
- **Nepakļaujiet akumulatorus uguns iedarbībai, nededziniet tos un nekarsējiet līdz temperatūrai virs 100 °C.** Nepareizi rīkojoties ar akumulatoriem, tie rada aizdegšanās vai ķīmisku apdegumu draudus.
- **Akumulatorus izmantojiet vai likvidējot, rīkojieties atbildīgi saskaņā ar visiem spēkā esošajiem normatīvajiem aktiem (vietējiem, valsts mēroga utt.).** Nepareiza utilizācija var radīt kaitējumu videi.

## BRĪDINĀJUMS

### Specifiskie Ražojuma Drošības Noteikumi

- **Veicot tādas darbības, kuru laikā griežējinstrumentas var saskarties ar slēptu elektroinstalāciju, turiet instrumentu aiz izolētajām satveršanas virsmām.** Saskaroties ar vadu, kas ir zem sprieguma, arī instrumenta atklātās daļas nonāk zem sprieguma un rada strāvas triecienu operatoram.
- **Modeļiem ar reversēšanu pirms darba sākšanas pārliecinieties par reversēšanas mehānisma stāvokli.** Ja zināt rotācijas virzienu, tas palīdz saglabāt kontroli pār instrumentu.
- **Izmantojiet vienīgi trieciena darbības uzmavas un palīgierīces.** Neizmantojiet rokā turamas (hroma) uzmavas vai palīgierīces. Tās lietošanas laikā var salūzt un radīt traumas.
- **Periodiski pārbaudiet instrumenta piedziņas uzgali, lai pārliecinātos, vai uzmavas aizturis darbojas pareizi un vai uzmavas un piedziņas uzgali nav pārāk nodiluši.** Jebkurš no minētajiem apstākļiem var radīt iespēju uzmavai rotējot nokrist.
- **Trieciena uzgriežņatslēgas nav dinamometriskās uzgriežņatslēgas. Savienojumi, kas jāpievelk ar noteiktu spēku, pēc montāžas ar trieciena uzgriežņatslēgu jāpārbauda ar dinamometru.** Nepietiekami pievilkti stiprinājumi var kļūt vaļīgi un izraisīt traumas.
- **Neizmantojiet atsegtu droseli apstākļos, kur šķēršļi var nospiegt droseli ieslēgtā stāvoklī.** Jūs varat nespēt izslēgt instrumentu.
- **Nespidiniet gaismas staru cilvēka vai dzīvnieka acīs.** Spilgtā gaisma var bojāt acis.

### Iekārtas drošības informācija: Akumulators

#### Izstrādājuma apraksts

Akumulators ir elektriskās enerģijas uzkrāšanas ierīce, ko izmanto par enerģijas avotu **Ingersoll Rand** bezvada izstrādājumiem.

## BRĪDINĀJUMS

### Vispārīgi akumulatora drošības brīdinājumi

- **Brīdinājums! Izlasiet visus drošības brīdinājumus un norādījumus.** Drošības brīdinājumu un norādījumu neievērošanas rezultātā var rasties elektriskās strāvas trieciens, nopietna trauma un/vai izcelties ugunsgrēks.
- **Turiet visus brīdinājumus un norādījumus pieejamā vietā kā uzziņu materiālus turpmākai lietošanai.**
- **Jūs esat atbildīgs par to, lai šī drošības informācija būtu pieejama pārējiem, kuri strādās ar šo iekārtu.** Normu un noteikumu neievērošana var izraisīt traumas.
- **Montējot, darbinot, pārbaudot šo iekārtu, veicot tās tehnisko apkopi, vienmēr ievērojiet visas piemērojamās normas un noteikumus (vietējos, valsts, federālos utt.).** Jūs esat atbildīgs par noteikumu ievērošanu. Normu un noteikumu neievērošana var izraisīt traumas.
- **Brīdinājumos norādītais termins "elektriskais instruments" attiecas uz bezvadu elektrisko instrumentu, kura jaudu nodrošina akumulators.**

### Elektrodrošība

- **Akumulatorus un elektriskos instrumentus nedrīkst pakļaut lietus vai mitruma iedarbībai.** Ja mitrums iekļūst akumulatorā vai elektriskajā instrumentā, palielinās elektriskā trieciena risks.

### Personiskā drošība

- **Nepārveidojiet šo izstrādājumu, drošības iekārtas vai piederumus.** Ar ražotāju nesaskaņoti pārveidojumi var izraisīt strāvas triecienu, ugunsgrēku vai traumas.

### Akumulatora un elektriskā instrumenta lietošana un apkope

- **Kad akumulatori un elektriskie instrumenti netiek izmantoti, tie jāuzglabā bērniem nesasniedzamā vietā, kā arī neatļaujiet rīkoties ar akumulatoru vai elektrisko instrumentu personām, kas nepazīna šo izstrādājumu darbību un šīs instrukcijas.** Akumulatori un elektriskie instrumenti ir bīstami neapmācītiem lietotājiem.
- **Akumulators, elektriskais instruments, piederumi un instrumenta uzgali jāizmanto atbilstoši šīm instrukcijām, ņemot vērā darba apstākļus un veicamā darba specifiku.** Izmantojot akumulatoru vai elektrisko instrumentu darbībā, kuru veiksmai akumulators vai elektriskais instruments nav paredzēts, var rasties bīstama situācija.
- **Uzlādējiet akumulatoru tikai ar tāda tipa lādētāju, kādu norādījis ražotājs.** Izmantojot nesaderīgu akumulatora lādētāju, palielinās ugunsbīstamības risks. Vēl citus brīdinājumus attiecībā uz lādētāju skatīt lādētāja informatīvajā pamācībā.
- **Elektriskos instrumentus lietojiet tikai ar konkrēti norādīto akumulatoru.** Citu akumulatoru lietošana var radīt ievainojumu vai ugunsgrēka risku.
- **Kad akumulators netiek lietots, neļaujiet tam saskarties ar citiem metāla priekšmetiem, tādiem kā: papīra saspraudes, monētas, atslēgas, naglas, skrūves vai citi sīki metāla priekšmeti, kas var radīt savienojumu starp abām spailēm.** Isslēgums starp akumulatora spailēm var radīt dzirksteles, apdegumus vai ugunsgrēku.
- **Nepiemērotos apstākļos no akumulatora var izdalīties šķidrums; izvairieties no saskares ar to. Ja nejauši notiek saskare ar šo vielu, noskalojiet to ar ūdeni.** Ja šķidrums nokļūst acīs, meklējiet medicīnisko palīdzību. No akumulatora izšļāktais šķidrums var izraisīt iekaisumu vai apdegumu.
- **Nekavējoties pārtrauciet instrumenta lietošanu un nomainiet tādas akumulatorus, kas darba laikā pārkarst vai ātri izlādējas.** Parasti

šādi akumulatori jau daudzas reizes ir uzlādēti/izlādēti vai arī tie ir veci vai bojāti. Ja turpina lietot sliktas kvalitātes akumulatoru, tas var radīt traumas vai īpašuma bojājumus karstuma, liesmu vai sprādziena dēļ.

- **Neņemiet nost apzīmējumu plāksnītes. Bojātas plāksnītes nomainiet.** Plāksnītes sniedz informāciju, kas vajadzīga, lai šo izstrādājumu lietotu droši.
- **Nepakļaujiet akumulatorus mehāniskiem triecieniem.**
- **Neatstājiet akumulatoru lādēties, kad akumulatora uzlāde ir pabeigta, bet tas vēl netiek izmantots.**
- **Kad vien iespējams, izņemiet akumulatoru no ierīces, kad tā netiek izmantota.**
- **Neizmantojiet akumulatorus, kuriem ir fiziski bojājumi.**

#### Remonts

- **Nepakļaujiet akumulatorus uguns iedarbībai, nededziniet tos un nekarsējiet līdz temperatūrai virs 100 °C.** Nepareizi rīkojoties ar akumulatoriem, tie rada aizdegšanās vai ķīmisku apdegumu draudus.
- **Akumulatorus utilizējot vai likvidējot, rīkojieties atbilstīgi saskaņā ar visiem spēkā esošajiem normatīvajiem aktiem (vietējiem, valsts mēroga utt.).** Nepareiza utilizācija var radīt kaitējumu videi.
- **Neatveriet pārsegu un korpusu. Zem tiem nav mezglu, kam būtu jāveic apkope.** Varat saņemt strāvas triecienu vai gūt citas traumas.

## Iekārtas drošības informācija: Akumulatora lādētājs

### Izstrādājuma Apraksts

Akumulatoru lādētājs ir elektriska ierīce, kas mainstrāvu pārveido līdzstrāvā, kuru izmanto elektrisko akumulatoru uzlādēšanai.

### BRĪDINĀJUMS

#### Vispārīgi Drošības Tehnikas Noteikumi

- **Izlasiet un izprotiet visas instrukcijas.** Visu turpmāk norādīto instrukciju neievērošana var izraisīt strāvas triecienu, ugunsgrēku un/vai smagas traumas.
- **Jūs esat atbildīgs par to, lai šī darba drošības informācija būtu pieejama pārējiem, kuri strādās ar šo darbarīku.** Normu un noteikumu neievērošana var izraisīt traumas.
- **Montējot, darbinot, pārbaudot šo darbarīku, veicot tā tehnisko apkopi, vienmēr ievērojiet visus piemērojamos standartus un noteikumus (vietējos, valsts, federālos utt.).** Jūs esat atbildīgs par noteikumu ievērošanu. Normu un noteikumu neievērošana var izraisīt traumas.
- **Bērni ir jāuzrauga, lai viņi nelietotu vai nespēlētu ar šo izstrādājumu.**
- **Izstrādājums nav paredzēts personām ar ierobežotām fiziskām, uztveres vai garīgām spējām, kā arī personām, kam trūkst pieredzes un zināšanu, ja vien par attiecīgās personas drošību atbildīga persona viņu neuzrauga vai nesniedz instrukcijas par izstrādājuma lietošanu.**

#### Darba zonas drošība

- **Nestrādājiet ar akumulatoru lādētāju sprādzienbīstamā vidē, piemēram, ja tuvumā ir viegli uzliesmojoši šķidrums, gāzes vai putekļi.** Akumulatoru lādētājs var radīt dzirksteles, kas var aizdedzināt putekļus vai tvaikus.

#### Elektrodrošība

- **Divkāršās izolācijas izstrādājumi ir aprīkoti ar polarizētu kontaktdakšu (viens kontaktdakšas kontakts ir platāks par otru). Šī kontaktdakša ir ievietojama polarizētajā kontaktlīzdā tikai vienā veidā. Ja kontaktdakša precīzi neievietojas kontaktlīzdā, apgrieziet kontaktdakšu otrādi. Ja tā vēl joprojām neievietojas kontaktlīzdā, vēršieties pie kvalificēta elektriķa un lieciet uzstādīt polarizētu kontaktlīzdā. Nepārveidojiet kontaktdakšu nekādā veidā.** Divkāršā izolācija novērš vajadzību pēc sazēmēta trīsdzīslu elektrības kabeļa un sazēmētas elektrības tīkla sistēmas.
- **Neizmantojiet kabeli nepareizi. Kabeli nekad neizmantojiet mehāniskā instrumenta pārnesšanai, vilkšanai vai atvienošanai no kontaktlīzdās. Netuviniet kabeli karstuma avotiem, eļļām, asām šķautnēm un kustīgām daļām.** Bojāti vai sapīti kabeli palielina strāvas triecienu draudus.
- **Ar akumulatoru darbināms izstrādājums ar iebūvētu akumulatoru vai atsevišķs akumulators jāuzlādē tikai ar šim akumulatoram paredzēto lādētāju.** Lādētājs, kas ir piemērots viena tipa akumulatoriem, var radīt aizdegšanās draudus, lietojot to ar citiem akumulatoriem.
- **Lādētājs paredzēts tikai lietošanai telpās. Neļaujiet lādētājam salīst. Neizmantojiet lādētāju mitrās vai slapjās vietās.** Varat saņemt strāvas triecienu vai gūt citas traumas.
- **Vienmēr izmantojiet norādīto barošanas spriegumu.** Nepareizs spriegums var izraisīt strāvas triecienu, ugunsgrēku vai nepareizu ierīces darbību un radīt traumas.
- **Izvaieties aizskart akumulatora uzlādes spaiļus ar pirkstiem, vadiem vai citiem strāvu vadošiem materiāliem. Pievienojiet tikai apstiprinātus Ingersoll Rand akumulatorus.** Varat saņemt strāvas triecienu vai gūt citas traumas.
- **Nemēģiniet uzlādēt neuzlādējamas baterijas.** Var rasties strāvas trieciens, ugunsgrēks vai traumas.

#### Personiskā Drošība

- **Nepārveidojiet šo izstrādājumu, drošības iekārtas vai piederumus.** Ar ražotāju nesaskaņoti pārveidojumi var izraisīt strāvas triecienu, ugunsgrēku vai traumas.
- **Neizmantojiet šo izstrādājumu mērķiem, kādiem tas nav paredzēts.** Var rasties strāvas trieciens, ugunsgrēks vai citas traumas.
- **Pirms pievienošanas strāvas avotam novietojiet lādētāju stabilā stāvoklī. Glabājiet lādētāju bērniem nepieejamā vietā.** Nepareizs novietojums vai tas, ka lādētāju lieto bērni, var izraisīt strāvas triecienu, ugunsgrēku vai traumas.

#### Lietošana un Apkope

- **Nekad nelietojiet bojātu lādētāju vai lādētāju, kas nedarbojas pareizi. Nekavējoties atvienojiet lādētāju un to salabojiet vai nomainiet.** Turpmāka lietošana var izraisīt elektriskās strāvas triecienu, ugunsgrēku vai traumas.
- **Neņemiet nost apzīmējumu plāksnītes. Bojātas plāksnītes nomainiet.** Plāksnītes sniedz informāciju, kas vajadzīga, lai šo izstrādājumu lietotu droši.

## Apkope

- **Remontu drīkst veikt tikai pilnvarots Ingersoll Rand servisa centrs vai remonta personāls ar līdzvērtīgu kvalifikāciju.** Nekvalificēta personāla veikti remonta vai tehniskās apkopes darbi var izraisīt traumu risku.
- **Neatveriet pārsegu un korpusu. Zem tiem nav mezglu, kuru apkope būtu jāveic lietotājam.** Varat saņemt strāvas triecienu vai gūt citas traumas.
- **Ja barošanas kabelis ir bojāts, tas jānomaina Ingersoll Rand pilnvarotam servisa centram vai remonta personālam ar līdzvērtīgu kvalifikāciju.** Bojāti un nepareizi ierikoti kabeli palielina strāvas trieciena draudus.

## PIEZĪME

Lai iegūtu informāciju par konkrētā modeļa drošību, izmantojiet attiecīgā izstrādājuma drošības informāciju.

## Drošības Apzīmējumu Skaidrojums



Sprādzienbīstams.  
Ievērojiet visas lietošanas drošības procedūras.



Uzlieciet  
aizsargbrilles!



Uzvelciet ausu  
aizsargus!



Pirms sākat darbu ar šo  
instrumentu, izlasiet instrukcijas!



(Attēls 16589525)

## Drošības Informācija - Drošības Signālvārdu Skaidrojums

### **⚠ BĪSTAMI**

Norāda draudīgu situāciju, kura, ja to nenovērsīs, izraisīs nāvi vai nopietnus ievainojumus.

### **⚠ BRĪDINĀJUMS**

Norāda potenciāli draudīgu situāciju, kura, ja to nenovērsīs, var izraisīt nāvi vai nopietnus ievainojumus.

### **⚠ UZMANĪBU**

Norāda potenciāli draudīgu situāciju, kura, ja to nenovērsīs, var izraisīt nelielus vai vidēji smagus ievainojumus vai īpašuma bojājumus.

### **PIEZĪME**

Norāda informāciju vai uzņēmuma politiku, kas tieši vai netieši attiecas uz personāla drošību vai īpašuma aizsardzību.

## Informācija par Darbarīka Daļām

### **⚠ UZMANĪBU**

**Oriģinālo Ingersoll Rand rezerves daļu aizvietošana ar citām rezerves daļām var apdraudēt drošību, samazināt instrumenta darba kvalitāti, palielināt tehniskās apkopes nepieciešamību un padarīt nederīgas visas garantijas.**

**Remonts jāveic tikai sertificētam un apmācītam personālam. Sazinieties ar jums tuvāko Ingersoll Rand pilnvaroto servisa centru.**

Originālās instrukcijas ir angļu valodā. Instrukcijas citās valodās ir oriģinālo instrukciju tulkojums.

Rokasgrāmatas var lejupielādēt no tīmekļa vietnes [ingersollrandproducts.com](http://ingersollrandproducts.com).

Ar visiem jautājumiem vērsieties tuvākajā **Ingersoll Rand** birojā vai pie izplatītāja.

## Opis Produktu

Bezprzewodowy klucz udarowy jest narzędziem ręcznym, zasilanym akumulatorowo, wykorzystującym udar obrotowy do dokręcania lub odkręcania gwintowanych połączeń, poprzez specjalnie wzmacniane nasadki.

### OSTRZEŻENIE

#### Ogólne Zasady Dotyczące Bezpieczeństwa

- **Ostrzeżenie!** Zapoznać się z treścią wszystkich instrukcji. Nieprzestrzeganie wszystkich poniższych wskazówek może spowodować porażenie prądem, pożar i/lub poważne wypadki. Należy zachować wszystkie ostrzeżenia i instrukcje na przyszłość. Termin „narzędzie elektryczne”, do którego odnoszą się zamieszczone poniżej ostrzeżenia, oznacza narzędzie elektryczne (przewodowe) lub narzędzie akumulatorowe (bezprzewodowe).
- **Obowiązkiem użytkownika jest przekazanie tych informacji dotyczących bezpieczeństwa innym użytkownikom produktu.** Nieprzestrzeganie norm i przepisów może spowodować wypadki.
- **Czynności instalacji, eksploatacji, przeglądów i konserwacji tego produktu należy dokonywać zgodnie z wszystkimi obowiązującymi normami i przepisami (lokalnymi, regionalnymi, krajowymi itp.).** Odpowiedzialność za stosowanie się do zaleceń spoczywa na użytkowniku. Nieprzestrzeganie norm i przepisów może spowodować wypadki.

#### Bezpieczeństwo obszaru roboczego

- **Miejsce pracy należy utrzymywać w czystości i dbać o jego dobre oświetlenie.** Nieuporządkowane i źle oświetlone stoły warsztatowe są przyczyną wypadków.
- **Nie wolno eksploatować narzędzi w atmosferze wybuchowej, np. w obecności palnych cieczy, gazów lub pyłów.** Podczas pracy narzędzia mogą powstawać iskry, które mogą spowodować zapłon pyłu lub oparów.
- **Dzieci oraz osoby postronne powinny podczas pracy urządzenia przebywać w bezpiecznej odległości.** Roztargnienie może być przyczyną utraty kontroli.
- **Uważaj na zakopane, niewidoczne itp. przedmioty, które mogą stwarzać niebezpieczeństwo, znajdujące się w miejscu pracy. Nie wolno stykać ani uszkadzać kabli, rur ani węży, w których mogą być prowadzone przewody elektryczne, gazy wybuchowe lub szkodliwe ciecze.** Może dojść do porażenia prądem, pożaru lub innych wypadków.

#### Bezpieczeństwo Elektryczne

- **Budowa wtyczki narzędzia musi odpowiadać budowie gniazdka elektrycznego. Nie wolno w jakikolwiek sposób modyfikować wtyczki. Nie stosować przejściówek w przypadku narzędzi uzziemionych (ze stykiem masy).** Niedokonywanie modyfikacji wtyczek oraz odpowiadających im gniazdek podnosi ryzyko porażenia.
- **Unikać kontaktu ciała z uzziemionymi powierzchniami, takimi jak przewody rurowe, radiatory, urządzenia chłodnicze.** Zetknięcie części ciała z masą zwiększa ryzyko porażenia prądem.
- **Nie wolno używać napędzanych elektrycznie narzędzi w deszczu lub wilgoci.** Przedostanie się wody do wnętrza urządzenia zwiększa ryzyko porażenia prądem.
- **Nie wolno naciągać kabla. Nie wolno stosować kabla do przenoszenia, ciągnięcia ani odłączania narzędzia od gniazda elektrycznego. Chronić kabel przed ciepłem, olejem, ostrymi krawędziami lub częściami ruchomymi.** Uszkodzony lub splątany kabel to zwiększone ryzyko porażenia prądem.
- **W przypadku eksploatacji narzędzi na zewnątrz pomieszczeń należy korzystać z przewodu przedłużającego przeznaczonego do użytku na zewnątrz budynków.** Stosowanie przewodu przeznaczonego do stosowania na zewnątrz obniża ryzyko porażenia prądem elektrycznym.
- **Jeśli używany jest przewód elektryczny w wilgotnym miejscu jest nieuniknione, używać wyłącznika różnicowoprądowego.** Użycie wyłącznika różnicowoprądowego zmniejsza ryzyko porażenia prądem.
- **Zawsze korzystać ze źródła zasilania o podanym napięciu.** Nieprawidłowe napięcie może spowodować porażenie prądem, pożar, nieprawidłowe działanie oraz obrażenia ciała.
- **Upewnij się że wszystkie przewody i kable są właściwe a wszystkie wtyczki i złącza są odpowiednio zabezpieczone.** Przewody o zbyt małej średnicy oraz połączenia bez właściwego styku mogą spowodować porażenie prądem, pożar oraz obrażenia ciała.

#### Bezpieczeństwo Osobiste

- **Podczas używania narzędzia należy zachować czujność i postępować zgodnie ze zdrowym rozsądkiem. Nie używaj narzędzia w przypadku zmęczenia, pod wpływem narkotyków, alkoholu lub leków.** Moment nieuwagi podczas używania narzędzia może doprowadzić do poważnego wypadku.
- **Używać wyposażenia ochronnego. Zawsze nosić okulary ochronne.** W szczególnych warunkach należy używać sprzętu ochronnego, np. maski przeciwpyłowej, obuwia ochronnego z antypoślizgową podeszwą, kasku lub nasznuszków ochronnych; obniży to ryzyko wypadków.
- **Nie dopuścić do niezamierzonego uruchomienia narzędzia. Przed wetknięciem wtyczki do gniazdka upewnić się, że przełącznik znajduje się w pozycji wyłączonej.** Przenoszenie podłączonego narzędzia z palcem na przełączniku lub podłączanie narzędzia do zasilania z włączonym przełącznikiem prowadzi do wypadków.
- **Przed uruchomieniem narzędzia zdjąć wszystkie nasadki do kluczy.** Pozostawienie klucza w ruchomej części narzędzia może doprowadzić do wypadku.
- **Nie sięgaj za daleko. Stój pewnie i cały czas utrzymuj równowagę.** Zapewnia to lepszą kontrolę nad narzędziem w nieoczekiwanych sytuacjach.
- **Noś odpowiednie ubranie. Nie noś luźnych ubrań lub biżuterii. Spinaj długie włosy. Trzymaj włosy, odzież i rękawice z dala od ruchomych części.** Luźna odzież, biżuteria lub długie włosy mogą zostać złapane przez poruszające się części.
- **W przypadku, gdy urządzenia są zaopatrzone w przyłącze do odsysania pyłów i akcesoria do jego gromadzenia, upewnij się, że są one podłączone i używane w sposób prawidłowy.** Korzystanie z takich urządzeń może obniżyć ryzyko związane z obecnością pyłów.
- **Za pomocą zaczepów lub innej praktycznej metody zabezpiecz i przymocuj obrabiany przedmiot do stabilnego podłoża.** Trzymanie obrabianego przedmiotu dłonią lub dociskanie do ciała nie zapewnia stabilności i może spowodować utratę kontroli.
- **Nie wdychaj i unikaj kontaktu ze szkodliwym pyłem i drobnymi cząstkami powstającymi podczas pracy narzędzia.**
  - Pył tworzący się podczas polerowania, piłowania, szlifowania, wiercenia lub innych prac może zawierać substancje chemiczne powodujące raka, wady wrodzone lub upośledzające rozród. Niektóre z tych substancji to:
    - ołów z farb na bazie ołowiu,
    - krzemionka krystaliczna z cegieł i cementu oraz innych produktów murarskich, oraz
    - arsen i chrom z chemicznie obrabianego drewna.
  - ryzyko związane z tymi substancjami jest różne i zależy od częstotliwości kontaktu. Aby zredukować ryzyko związane z chemikaliami: pracuj w dobrze przewietrzonym miejscu i używaj wyposażenia ochronnego, takiego jak maski przeciwpyłowe specjalnie przystosowane do filtrowania cząstek mikroskopowych.

- **Zakończ pracę w razie pogorszenia samopoczucia, gdy wystąpi pieczenie lub ból.** Wibracje oraz monotonne powtarzanie tych samych czynności lub niewygodna pozycja mogą być męczące dla dłoni i ramion. Narzędzia mogą wibrować podczas pracy. Przed ponownym przystąpieniem do pracy zasięgnij porady lekarza.
- Wibracje powstające podczas użytkowania elektronarzędzia mogą być inne niż deklarowana wartość w zależności od sposobu użytkowania narzędzia. Na podstawie szacunkowej oceny w czasie rzeczywistego użytkowania, należy stosować odpowiednie środki ochrony.
- **Nie dotykaj ruchomych części narzędzia.** Narzędzie i/lub akcesoria mogą poruszać się jeszcze przez jakiś czas po wyłączeniu, powodując ryzyko zaplątania się lub innych wypadków.

### Eksploatacja i Pielęgnacja Narzędzia Elektrycznego

- **Nie wolno przeciążać narzędzia. Używaj narzędzia elektrycznego odpowiedniego dla danego zadania.** Dzięki właściwemu narzędziu można wykonać pracę w odpowiednim czasie, lepiej i bezpieczniej.
- **Nie wolno używać narzędzia, jeżeli nie działa wyłącznik.** Każde narzędzie, którego nie można włączyć/wyłączyć za pomocą przełącznika, jest niebezpieczne i kwalifikuje się do naprawy.
- **Przed dokonaniem ustawień, zmianą akcesoriów lub odłożeniem narzędzia, należy odłączyć zasilanie elektryczne.** Te czynności zapobiegawcze zmniejszą ryzyko przypadkowego uruchomienia urządzenia.
- **Nie używane narzędzie należy przechowywać w miejscu niedostępnym dla dzieci, nie dopuszczając do jego eksploatacji przez osoby niezapoznane z zasadą działania urządzenia lub tą instrukcją obsługi.** Narzędzia są niebezpieczne w rękach nieprzeszkolonych użytkowników.
- **Sprawdź stan narzędzi. Kontroluj prawidłowość ustawienia części oraz ich stan pod kątem zagięć, uszkodzeń lub innych czynników, które mogą mieć wpływ na jego działanie. Jeżeli narzędzie jest uszkodzone, przed ponownym użyciem należy je oddać do naprawy.** Wiele wypadków spowodowanych jest złą konserwacją narzędzi.
- **Narzędzia tnące należy utrzymywać w czystości i ostrzyć.** Odpowiednio konserwowane narzędzia z ostrymi krawędziami tnącymi są mniej narażone na wygięcia i łatwiej je kontrolować. W celu zapewnienia pewnej kontroli nad narzędziem uchwyty muszą być czyste i suche.
- **Z narzędzi elektrycznych, akcesoriów i wiertel itp. należy korzystać zgodnie z tą instrukcją oraz w sposób właściwy dla danego narzędzia, biorąc pod uwagę warunki panujące w miejscu pracy i rodzaj prac.** Korzystanie z narzędzi elektrycznych niezgodnie z przeznaczeniem skutkuje powstaniem sytuacji niebezpiecznych.
- **Używaj rękawic ochronnych, zawsze upewnij się, czy nie blokują one wyłącznika.** Mogą wystąpić wypadki.
- **Nie wolno zdejmować naklejek.** Uszkodzone należy zastąpić nowymi. Naklejki zawierają informacje ważne dla bezpiecznego użycia produktu.

### Używanie i konserwacja baterii

- **Do ładowania należy stosować wyłącznie ładowarki o parametrach określonych przez producenta.** Ładowarka odpowiednia dla określonego typu akumulatora może stwarzać ryzyko pożaru, gdy jest używana z innym typem akumulatora.
- **Narzędzia elektryczne należy używać tylko z przeznaczonymi do niego akumulatorami.** Używanie innych akumulatorów może stwarzać ryzyko pożaru lub wypadku.
- **Jeżeli akumulator jest nie używany, przechowuj go z dala od metalowych obiektów: spinaczy do papieru, monet, kluczy, gwóźdź, żebł lub innych małych metalowych przedmiotów, które mogą spowodować zamknięcie obwodu.** Zwarcie styków może doprowadzić do poparzeń lub pożaru.
- **Na skutek niewłaściwego postępowania może dojść do wycieku elektrolitu z akumulatora; należy unikać kontaktu z tą substancją.** Jeżeli dojdzie do kontaktu, należy przemyć to miejsce wodą. W razie kontaktu z oczami przemyj je i zwróć się po pomoc medyczną. Wytrysk cieczy z akumulatora może wywołać podrażnienia i poparzenia skóry.
- **Przed włożeniem akumulatora upewnij się, że przełącznik znajduje się w pozycji wyłączonej.** Umieszczenie akumulatora we włączonym narzędziu może doprowadzić do poważnego wypadku.
- **Przed przystąpieniem do czynności regulacyjnych lub wymiany akcesoriów odłącz akumulator od narzędzia lub ustaw wyłącznik w pozycji Off (Wył.).** Takie środki zapobiegawcze zmniejszają ryzyko przypadkowego uruchomienia narzędzia.
- **Narzędzia elektryczne przegrzewają się, jeśli podczas pracy ich silniki są znacznie obciążone, ulegną tzw. utykowski lub w inny sposób blokowane są ich obroty.** W takim wypadku należy wyłączyć narzędzie. Dalsze użytkowanie narzędzia w takim wypadku może spowodować jego nagrzanie, powstanie dymu, pożar oraz obrażenia lub szkody.
- **Odłącz akumulator przed rozpoczęciem składowania narzędzia lub umieszczeniem go w skrzynce albo opakowaniu.** Przypadkowe uruchomienie narzędzia podczas składowania lub transportu może być przyczyną wielu niebezpiecznych sytuacji, łącznie z przegrzaniem urządzenia. Niekontrolowane uruchomienie narzędzia może być przyczyną wielu zagrożeń, w tym nagrzania, powstawania dymu lub pożaru.
- **Nie należy blokować otworów wentylacyjnych w budowie, gdyż może to doprowadzić do przegrzewania się narzędzia.** Użytkowanie narzędzia w takim wypadku może spowodować jego nagrzanie, powstanie dymu, pożar oraz obrażenia lub szkody.
- **Narzędzie może się przegrzewać podczas ciągłej długotrwałej pracy oraz przy dużych obciążeniach. Jeśli części narzędzia staną się zbyt gorące lub pojawią się oznaki dymu albo ognia z silnika, należy natychmiast przerwać pracę i pozostawić narzędzie do ochłodzenia.** Dalsze używanie narzędzia w takim przypadku spowoduje jego uszkodzenie i może doprowadzić do zranienia użytkownika lub zniszczenia mienia na skutek pożaru lub wysokiej temperatury.
- **Jeśli akumulator podczas pracy nadmiernie się nagrzewa lub umożliwiał pracę przez krótki czas, należy zaprzestać jego używania i wymienić.** Zwykle takie działanie akumulatora świadczy o tym, że był wielokrotnie ładowany/rozładowywany, jest stary lub uszkodzony. Dalsze użytkowanie niesprawnego akumulatora może spowodować obrażenia lub uszkodzenia mienia na skutek pożaru, wysokiej temperatury lub wybuchu.
- **Nie wolno modyfikować narzędzia, urządzeń bezpieczeństwa lub akcesoriów.** Dokonywanie modyfikacji bez upoważnienia może spowodować porażenie prądem, pożar lub inne wypadki.
- **Używaj tylko akcesoriów zatwierdzonych przez Ingersoll Rand do danego modelu.** Akcesoria, które są odpowiednie dla danego modelu, mogą być niebezpieczne, gdy są używane z innym narzędziem.
- **Nie wolno zdejmować naklejek.** Uszkodzone należy zastąpić nowymi. Naklejki zawierają informacje ważne dla bezpiecznego użycia produktu.

### Naprawy

- **Naprawy narzędzia powinny być dokonywane przez wykwalifikowany personel z zastosowaniem wyłącznie identycznych części zamiennych.** Zapewni to bezpieczeństwo eksploatacji narzędzia.
- **Podczas napraw narzędzia należy używać tylko oryginalnych części zamiennych Ingersoll Rand i przestrzegać wszystkich wskazówek dotyczących konserwacji.** Użycie nieautoryzowanych części lub nieprzestrzeganie instrukcji konserwacji może stwarzać ryzyko porażenia prądem lub wypadku.
- **Nie wolno wrzucać akumulatorów do ognia, spalać lub nagrzewać powyżej 100°C.** W wypadku niewłaściwego obchodzenia się z akumulatorami istnieje ryzyko pożaru lub poparzenia chemicznego.
- **Odpowiednie przetwarzanie lub pozbywanie się akumulatorów należy wykonywać zgodnie z wszystkimi obowiązującymi normami i przepisami (lokalnymi, regionalnymi, krajowymi itd.).** Niewłaściwe pozbywanie się baterii ma zły wpływ na środowisko naturalne.

**⚠ OSTRZEŻENIE****Specjalne Zasady Dotyczące Bezpieczeństwa Danego Produktu**

- **Jeżeli podczas pracy narzędzie tnące może zetknąć się z ukrytym przewodem, należy trzymać narzędzie przez materiał izolacyjny.** Zetknięcie narzędzia z przewodem pod napięciem umożliwi przewodzenie prądu przez metalowe części tego urządzenia i doprowadzi do porażenia elektrycznego u operatora.
- **W przypadku narzędzi pracujących w obu kierunkach przed uruchomieniem sprawdź położenie przełącznika kierunkowego.** Znajomość kierunku obrotów pomaga utrzymać narzędzie pod kontrolą.
- **Należy stosować wyłącznie nasadki i wyposażenie do narzędzi udarowych.** Nie wolno stosować nasadek ani akcesoriów do narzędzi ręcznych (chromowanych). Mogą one ulec złamaniu, doprowadzając do wypadku.
- **Od czasu do czasu należy sprawdzać napędzany koniec narzędzia, aby upewnić się, że uchwyt nasadki działa prawidłowo oraz że nasadki i końcówki napędowe nie są nadmiernie zużyte.** Każdy z tych czynników może prowadzić do odłączenia się nasadki podczas pracy.
- **Klucze udarowe nie są kluczami dynamometrycznymi.** Połączenia wymagające dokładnego momentu dokręcania muszą być sprawdzone kluczem dynamometrycznym po ich wstępnym dokręceniu kluczem udarowym. Niewłaściwie dokręcone połączenia mogą poluzować się i spowodować wypadek.
- **Nie należy używać niezabezpieczonych przełączników, jeśli element zewnętrzny może doprowadzić do ich zablokowania w pozycji "włączanej".** Może okazać się, że nie będzie można wyłączyć narzędzia.
- **Nie kierować wiązki światła bezpośrednio w oczy ludzi ani zwierząt.** Może to doprowadzić do uszkodzenia wzroku.

**Informacje dotyczące bezpieczeństwa obsługi narzędzia: Akumulator****Opis produktu**

Akumulator służy do przechowywania energii elektrycznej, potrzebnej do napędzania bezprzewodowych urządzeń **Ingersoll Rand**.

**⚠ OSTRZEŻENIE****Ogólne ostrzeżenia dotyczące bezpiecznej eksploatacji akumulatora**

- **Ostrzeżenie! Należy przeczytać wszystkie ostrzeżenia i instrukcje dotyczące bezpieczeństwa.** Nieprzestrzeganie ostrzeżeń i instrukcji może doprowadzić do porażenia prądem elektrycznym, pożaru i/lub poważnego uszkodzenia ciała.
- **Należy zachować wszystkie ostrzeżenia i instrukcje na przyszłość.**
- **Twoją odpowiedzialnością jest przekazanie tych informacji bezpieczeństwa innym użytkownikom produktu.** Nieprzestrzeganie norm i przepisów może spowodować wypadek.
- **Zawsze instaluj, obsługuj, kontroluj i konserwuj urządzenie zgodnie z wszystkimi mającymi zastosowanie normami i przepisami (lokalnymi, regionalnymi, krajowymi, federalnymi, itp.).** Wszelkie ustępstwa są twoją odpowiedzialnością. Nieprzestrzeganie norm i regulacji może spowodować wypadek.
- Zwrot "elektronarzędzie" używany w ostrzeżeniach oznacza narzędzie (beprzewodowe) zasilane przy użyciu akumulatora.

**Bezpieczeństwo elektryczne**

- **Nie narażać akumulatorów ani elektronarzędzi na działanie deszczu i wilgoci.** Przedostanie się wody do akumulatora lub elektronarzędzia zwiększa ryzyko porażenia prądem elektrycznym.

**Bezpieczeństwo osobiste**

- **Nie wolno modyfikować produktu, urządzeń bezpieczeństwa lub akcesoriów.** Nieautoryzowane modyfikacje mogą spowodować porażenie prądem, pożar lub inne wypadki.

**Użytkowanie i konserwacja akumulatorów i elektronarzędzi**

- **Nie używane akumulatory i elektronarzędzia należy przechowywać poza zasięgiem dzieci.** Nie zezwalać na używanie akumulatora ani elektronarzędzi przez osoby, które nie znają zasad korzystania z nich lub nie zapoznały się z niniejszą instrukcją obsługi. Używanie akumulatorów i elektronarzędzi przez nieprzeszkolone osoby może być niebezpieczne.
- **Akumulatora, elektronarzędzi, akcesoriów, końcówek itp. należy używać zgodnie z niniejszą instrukcją, uwzględniając warunki i charakter wykonywanej pracy.** Użycie akumulatora lub elektronarzędzi do prac niezgodnych z ich przeznaczeniem może spowodować niebezpieczeństwo.
- **Do ładowania używać wyłącznie ładowarki określonej przez producenta.** Użycie ładowarki przeznaczonej do innego typu akumulatora może spowodować zagrożenie pożarowe. Dodatkowe ostrzeżenia dotyczące ładowarki znajdują się w dokumencie Informacje o ładowarce.
- **Elektronarzędzi należy używać wyłącznie z przeznaczonymi do nich akumulatorami.** Użycie innych akumulatorów może spowodować ryzyko odniesienia obrażeń lub powstania pożaru.
- **Jeżeli akumulator jest nie używany trzymaj go z dala od metalowych obiektów: spinaczy do papieru, monet, kluczy, gwoździ, śrub lub innych małych metalowych przedmiotów które mogą połączyć ze sobą styki.** Przechowywanie akumulatora ze zwartymi stykami może powodować iskry, przypalenia lub pożar.
- **W przypadku nieprawidłowej eksploatacji z akumulatora może się wydostać płyn, z którym należy unikać kontaktu.** W razie przypadkowego kontaktu należy przepłukać narażone miejsce wodą. Jeśli płyn przedostanie się do oczu, należy dodatkowo uzyskać pomoc lekarską. Płyn wydostający się z akumulatora może spowodować podrażnienia lub poparzenia.
- **Jeśli akumulator podczas pracy nadmiernie się nagrzewa lub umożliwia pracę przez krótki czas, należy zaprzestać jego używania i wymienić.** Zwykle takie działanie akumulatora świadczy o tym, że był wielokrotnie ładowany/rozładowywany, jest stary lub uszkodzony. Dalsze użytkowanie niesprawnego akumulatora może spowodować obrażenia lub uszkodzenia mienia na skutek pożaru, wysokiej temperatury lub wybuchu.
- **Nie wolno zdejmować naklejek.** Uszkodzone należy zastąpić nowymi. Podają one informacje ważne dla bezpiecznego użycia produktu.
- **Nie narażać akumulatora na uderzenia mechaniczne.**
- **Nie pozostawiać nieużywanego akumulatora podłączonego do ładowarki przez długi czas.**
- **W razie możliwości odłączać akumulator od urządzenia, gdy nie jest ono używane.**
- **Nie używać akumulatorów uszkodzonych fizycznie.**

## Serwis

- **Nie wolno wrzucać akumulatorów do ognia, spalać lub nagrzewać powyżej 100°C.** W wypadku niewłaściwego obchodzenia się z akumulatorami istnieje ryzyko pożaru lub poparzenia chemicznego.
- **Odpowiednie przetwarzanie lub pozbywanie się akumulatorów należy wykonywać zgodnie z wszystkimi obowiązującymi normami i przepisami (lokalnymi, regionalnymi, krajowymi itd.).** Niewłaściwe pozbywanie się baterii ma zły wpływ na środowisko naturalne.
- **Nie wolno otwierać osłony lub obudowy.** Wewnątrz nie ma części przeznaczonych do serwisowania przez użytkownika. Może wystąpić porażenie prądem lub inne wypadki.

## Informacje dotyczące bezpieczeństwa obsługi narzędzia: Ładowarka akumulatorowa

### Opis Produktu

Ładowarka jest urządzeniem elektrycznym, które przekształca prąd przemienny na prąd stały potrzebny do ładowania akumulatorów.

### OSTRZEŻENIE

#### Ogólne Zasady Dotyczące Bezpieczeństwa

- **Przeczytaj ze zrozumieniem wszystkie instrukcje.** Nieprzestrzeganie którejkolwiek z poniższych instrukcji może spowodować porażenie prądem, pożar i/lub poważne wypadki.
- **Obowiązkiem użytkownika jest przekazanie tych informacji dotyczących bezpieczeństwa innym użytkownikom produktu.** Nieprzestrzeganie norm i przepisów może spowodować wypadki.
- **Czynności instalacji, eksploatacji, przeglądów i konserwacji tego produktu należy wykonywać zgodnie z wszystkimi obowiązującymi normami i przepisami (lokalnymi, regionalnymi, krajowymi itp.).** Odpowiedzialność za stosowanie się do zaleceń spoczywa na użytkowniku. Nieprzestrzeganie norm i przepisów może spowodować wypadki.
- **Należy pilnować, aby dzieci nie użytkowały tego produktu, ani nie bawiły się nim.**
- **Niniejszy produkt nie jest przeznaczony do użytkowania przez osoby o zmniejszonych możliwościach fizycznych, sensorycznych lub umysłowych lub osoby nie posiadające odpowiedniego doświadczenia lub wiedzy, chyba że podczas użytkowania produktu są one nadzorowane przez osobę odpowiedzialną za ich bezpieczeństwo lub zostały przez nią przeszkolone w zakresie korzystania z produktu.**

#### Bezpieczeństwo obszaru roboczego

- **Nie wolno eksploatować ładowarki w atmosferze wzbuchowej, np. w obecności palnych cieczy, gazów lub pyłów.** Podczas pracy ładowarki mogą powstawać iskry, które mogą spowodować zapłon pyłu lub oparów.

#### Bezpieczeństwo Elektryczne

- **Podwójnie izolowane produkty są wyposażone w polaryzowaną wtyczkę (jeden styk jest szerszy niż pozostałe). Wtyczka będzie pasować do polaryzowanego gniazdka tylko w jednym ustawieniu. Jeżeli wtyczka nie pasuje do gniazdka, należy ją odwrócić. Jeżeli wtyczka ciągle nie pasuje, należy skontaktować się z elektrykiem w celu instalacji gniazda spolaryzowanego. Nie wolno w jakikolwiek sposób zmieniać wtyczki.** Podwójna izolacja eliminuje potrzebę stosowania trójżyłowego kabla zasilania oraz źródła zasilania z uziemieniem.
- **Nie wolno naciągać kabla. Nie wolno stosować kabla do przenoszenia, ciągnięcia ani odłączania narzędzia od gniazda elektrycznego. Chronić kabel przed ciepłem, olejem, ostrymi krawędziami lub częściami ruchomymi.** Uszkodzony lub splątany kabel to zwiększone ryzyko porażenia prądem.
- **Narzędzia ze zintegrowanymi lub zewnętrznymi akumulatorami muszą być ładowane tylko za pomocą odpowiednich ładowarek.** Ładowarka odpowiednia dla określonego typu akumulatora może stwarzać ryzyko pożaru, gdy jest używana z innym typem akumulatora.
- **Ładowarka wyłącznie do użytku wewnątrz budynków. Nie wolno wystawiać ładowarki na działanie deszczu. Nie wolno używać ładowarki w miejscach wilgotnych lub mokrych.** Może dojść do porażenia prądem lub innych wypadków.
- **Zawsze korzystać ze źródła zasilania o podanym napięciu.** Nieprawidłowe napięcie może spowodować porażenie prądem, pożar, nieprawidłowe działanie oraz obrażenia ciała.
- **Unikać dotykania styków baterii palcami, przewodami lub innymi materiałami które przewodzą prąd elektryczny. Podłączyć tylko do akumulatorów rekomendowanych przez firmę Ingersoll Rand.** Może dojść do porażenia prądem lub innych wypadków.
- **Nie ładować akumulatorów, które nie są do tego przystosowane.** Może dojść do porażenia prądem, pożaru lub innych wypadków.

#### Bezpieczeństwo Osobiste

- **Nie wolno modyfikować produktu, urządzeń bezpieczeństwa ani akcesoriów.** Dokonywanie modyfikacji bez upoważnienia może spowodować porażenie prądem, pożar lub inne wypadki.
- **Nie wolno używać produktu w celach innych niż te, do których zostało przystosowane.** Może dojść do porażenia prądem, pożaru lub innych wypadków.
- **Przed podłączeniem ładowarki do źródła zasilania należy ustawić ją w stabilnej pozycji. Przechowywać ładowarkę poza zasięgiem dzieci.** Umieszczenie w niewłaściwym miejscu lub użycie przez dzieci może spowodować porażeniem prądem, pożar lub inne wypadki.

#### Obsługa i Pielęgnacja

- **Nigdy nie używać uszkodzonej lub wadliwie działającej ładowarki. Niezwłocznie odłączyć ładowarkę i przekazać ją do naprawy lub wymiany.** Dalsza eksploatacja może spowodować porażenie prądem, pożar lub inne wypadki.
- **Nie wolno zdejmować naklejek. Uszkodzone należy zastąpić nowymi.** Naklejki zawierają informacje ważne dla bezpiecznego użycia produktu.

#### Naprawy

- **Naprawy mogą być wykonywane wyłącznie przez Autoryzowane Centrum Serwisowe firmy Ingersoll Rand lub personel o podobnych kwalifikacjach.** Dokonywanie napraw lub konserwacji przez niewykwalifikowane osoby stwarza ryzyko wypadku.
- **Nie wolno otwierać osłony lub obudowy. Wewnątrz nie ma części przeznaczonych do naprawy przez użytkownika.** Może dojść do porażenia prądem lub innych wypadków.
- **W przypadku uszkodzenia przewodu zasilania konieczna jest jego wymiana przez Autoryzowane Centrum Serwisowe firmy Ingersoll Rand lub personel o podobnych kwalifikacjach.** Uszkodzony lub nieprawidłowo zainstalowany kabel to zwiększone ryzyko porażenia prądem.

## INFORMACJA

Patrz Instrukcja informacyjna produktu, gdzie znajdują się informacje dotyczące bezpieczeństwa danego modelu.

## Identyfikacja Symboli Bezpieczeństwa



Ryzyko wybuchu.  
Przestrzegaj wszystkich zasad  
bezpiecznego użytkowania.



Nos gogle  
ochronne



Nos nauszniki  
ochronne



Przed przystąpieniem do obsługi urządzenia  
przeczytaj instrukcje obsługi



(Rys. 16589525)

## Informacje Dot. Bezpieczeństwa – Objaśnienie Słów Ostrzegawczych



**NIEBEZPIECZEŃSTWO**

Sygnalizuje bezpośrednio niebezpieczną sytuację, która przy braku reakcji doprowadzi do śmierci bądź poważnego okaleczenia.



**OSTRZEŻENIE**

Sygnalizuje potencjalnie niebezpieczną sytuację, która przy braku reakcji mogłaby prowadzić do śmierci bądź poważnego okaleczenia.

**UWAGA**

Sygnalizuje potencjalnie niebezpieczną sytuację, która przy braku reakcji może prowadzić do okaleczenia bądź strat materialnych.

**INFORMACJA**

Oznacza informację lub zalecenie producenta odnoszące się bezpośrednio lub pośrednio do bezpieczeństwa personelu lub ochrony dóbr materialnych.

## Informacja Odnośnie Części Produktu

**UWAGA**

Użycie innych niż oryginalne części zamienne firmy Ingersoll Rand może powodować zagrożenie, zmniejszoną wydajność szlifierki i konieczność częstszej konserwacji oraz unieważnienie wszystkich gwarancji.

Naprawy mogą być dokonywane tylko przez upoważnione i przeszkolone osoby. W razie potrzeby należy zwrócić się do najbliższego autoryzowanego serwisu firmy Ingersoll Rand.

Oryginalne instrukcje są opracowywane w języku angielskim. Instrukcje publikowane w innych językach są tłumaczeniami oryginalnych instrukcji.

Instrukcje obsługi można pobrać z witryny [ingersollrandproducts.com](http://ingersollrandproducts.com).

Wszelkie uwagi należy kierować do najbliższego biura lub dystrybutora **Ingersoll Rand**.

## Описание на Продукта

Пневматично импулсен гаечен ключ (Impactool) е задвижван с акумулатор, ръчен, мощен инструмент, който използва въртящи импулси за затягане или разхлабване на винтови съединения чрез специално усилени сменяеми гнезда.

### ВНИМАНИЕ

#### Общи Правила за Безопасност

- **Внимание!** Прочетете всички инструкции. Неспазването на всички инструкции записани по-долу може да има за следствие електрически удар, пожар и/или сериозно нараняване. Запазете всички предупреждения и инструкции за бъдещи справки. Понятието “мощен инструмент” във всички предупреждения изброени по-долу се отнася за Вашия захранен от мрежата (с кабел) или от акумулатор (безжичен) мощен инструмент.
- **Ваша е отговорността да направите тази информация за безопасността достъпна за другите които ще работят с този продукт.** Неспазването на стандартите и разпоредбите може да предизвика нараняване.
- **Винаги инсталирайте, управлявайте, проверявайте и поддържайте този продукт в съответствие със всички приложими стандарти и предписания (местни, щатски, държавни, федерални. т.н.).** Спазването е Ваш отговорност. Неспазването на стандартите и разпоредбите може да предизвика нараняване на човек.

#### Безопасност на работната зона

- **Пазете Вашата работна зона чиста и добре осветена.** Затрупаната работна маса и тъмните зони са предпоставки за злополуки.
- **Не използвайте мощни инструменти в експлозивни атмосфери, например при наличието на горивни течности, газове или прах.** Мощните инструменти създават искри, които могат да запалят праха или парите.
- **Дръжте децата и други странични лица настрана докато работите с мощен инструмент.** Отвлечането на вниманието може да причини загубата на контрол от ваша страна.
- **Внимавайте за заровени, скрити или други опасности във вашата работна среда. Не контактувайте и не повреждайте въжета, водопроводи, тръби или маркучи, които може да съдържат електрически проводници, експлозивни газове или вредни течности.** Може да последват електрически удар, пожар или нараняване.

#### Електрическа Безопасност

- **Щепселите на мощните инструменти трябва да отговарят на контакта. Никога не променяйте щепсела по никакъв начин. Не използвайте адаптерни щепсели със заземени (замасени) мощни инструменти.** Немодифицираните щепсели и отговарящите контакти ще намалят риска от удар.
- **Избягвайте телесен контакт със заземени повърхности като тръби, радиатори, плотове и хладилници.** Има повишен риск от електрически удар ако тялото Ви е заземено или замасено.
- **Не излагайте мощните инструменти на дъжд или влага.** Влязлата в мощния инструмент вода ще повиши опасността от електрически удар.
- **Не опъвайте кабела. Никога не използвайте кабела за носене, дърпане или изключване на мощния инструмент . Пазете кабела от горещи предмети, масло, остри ръбове или подвижни части.** Повредени или оплетени кабели повишават риска от електрически удар.
- **Когато ползвате мощен инструмент на открито, използвайте удължителен кабел, подходящ за ползване на открито.** Използването на кабел, подходящ за употреба на открито намалява риска от електрически удар.
- **Ако използването на даден електроинструмент на влажно място е неизбежно, използвайте защитено електрозахранване с устройство за дефектнотокова защита (RCD).** Използването на устройство за дефектнотокова защита (RCD) намалява риска от токов удар.
- **Винаги използвайте захранване с посоченото напрежение.** Неподходящо напрежение може да причини електрически удар, пожар, неправилно функциониране и може да доведе до телесни повреди.
- **Уверете се, че електрическите шнурове и кабели са с правилния размер и всички щепсели и контакти са здраво закрепени.** Проводници с по-малък от необходимия размер и незатегнати връзки могат да причинят електрически удар и пожар, а също така да доведат до телесни повреди.

#### Лична Безопасност

- **Бъдете нащрек, наблюдавайте какво правите и използвайте здравия разум при работа с мощен инструмент. Не използвайте мощни инструменти когато сте уморен или под въздействието на дрога, алкохол или лекарство.** Един момент невнимание по време на работа с мощен инструмент може да предизвика сериозно нараняване.
- **Използвайте оборудване за безопасност. Винаги носете защита за очите.** Оборудването за безопасност като противопрахова маска, непълзгащи се обезопасителни обувки, твърда шапка, и защита за слуха, използвани за съответните условия намаляват нараняванията.
- **Избягвайте случайно пускане.** Проверете дали превключателят е в позиция “изключено” преди да пхнете щепсела. Носенето на мощни инструменти с пръст на превключателя или пхване на щепсела на мощни инструменти с включен превключател е предпоставка за злополуки.
- **Свалете настройващите или гаечни ключове преди включване на мощния инструмент.** Настройващ или гаечен ключ, оставен свързан към въртяща се част на мощния инструмент може да предизвика нараняване.
- **Не се надвесявайте. Стъпвайте здраво и пазете равновесие по всяко време.** Това дава по-добър контрол върху мощния инструмент в неочаквани ситуации.
- **Облчавайте се подходящо. Не носете висящи дрехи или бижута. Вързвайте дългата коса. Пазете косата си, дрехите и ръкавиците далеч от движещи се части.** Висящите дрехи, бижутата и дългата коса могат да бъдат захванати от движещи се части.
- **Ако има предоставени устройства за измъкване на праха и събирането ѝ, проверете тяхното свързване и правилна употреба.** Използването на тези устройства може да намали опасностите, свързани с праха.
- **Използвайте щипки или друг подходящ начин за осигуряване и поддържане на обработвания елемент на стабилна поставка.** Държането на обработвания елемент на ръка или върху тялото е нестабилно и може да доведе до изгубване на контрол.
- **Избягвайте излагане и дишане на вреден прах и частици, създадени при използване на мощни инструменти.**
  - Някои прахове от мощно шлифване, рязане, раздробяване, дълбаене или други строителни дейности съдържат химикали, които могат да предизвикат рак, дефекти при раждане или други генетични увреждания. Някои примери за такива химикали са:
    - олово от бои, базирани на олово,
    - силициеви кристали от тухли и цимент и други зидарски продукти, и

- арсеник и хром от химически обработена дървесина.
- Вашият риск от тези излагания варира, в зависимост от това колко често вършите такава работа. За да намалите излагането си на тези химикали: работете в добре вентилирано пространство, и работете с одобрено оборудване за безопасност, като противопрахови маски, специално разработени за филтриране на микроскопични частици.
- **Спрете използването на всеки инструмент ако се появят неудобство, сърбящо усещане или болка.** Вибрациите, повтарящите се движения или неудобните пози могат да са вредни за вашите ръце и длани. Мощните инструменти могат да избират при използване. Потърсете медицински съвет преди да продължите използването.
- **Излъчените вибрации в реални условия на експлоатация на електрически инструмент могат да се различават от декларираната стойност в зависимост от начините, по които се използва инструмента.** Да се вземе подходяща мярка на техниката за безопасност за защита на оператора, на база на оценка на въздействието по време на експлоатация в реални условия
- **Избягвайте контакт с движещите се части на инструментa.** Инструментът и/или аксесоарите могат да продължат за кратко движението си след изключване на захранването, създавайки риск от заплитане или друго нараняване.

### Използване и Грижа за Мощния Инструмент

- **Не пресилвайте мощния инструмент.** Използвайте подходящия мощен инструмент за Вашата задача. Подходящият мощен инструмент ще свърши по-добре и по-безопасно работата със скоростта, за която е конструиран.
- **Не използвайте мощен инструмент, ако превключвателят не го включва или изключва.** Всеки мощен инструмент, който не може да се контролира от превключвателя е опасен и трябва да се поправи.
- **Разкачете щепсела от източника на напрежение преди да правите всякакви настройки, смяна на аксесоари или складиране на мощния инструмент.** Тези предпазни мерки за безопасност намаляват риска от случайно задействане на инструмента.
- **Складирайте бездействащи мощни инструменти извън досега на деца и не разрешавайте на хора непознати с мощния инструмент или тези инструкции да работят с мощния инструмент.** Инструментите са опасни в ръцете на необучени потребители.
- **Поддържайте мощните инструменти.** Проверявайте за несъсност или лоша връзка на движещите се части, за струпване на части и всякаво друго нещо, което може да повлияе на работата на мощните инструменти. Ако мощният инструмент е повреден, дайте го за поправка преди употреба. Много злополуки са предизвикани от зле поддържани мощни инструменти.
- **Поддържайте режещите инструменти остри и чисти.** Добре поддържани инструменти с остри режещи ръбове по-трудно могат да увлекат и са по-лесни за контрол. Поддържайте дръжките чисти и сухи, за да запазвате контрол.
- **Използвайте мощния инструмент, аксесоарите и накрайниците и пр. съгласно тези инструкции и по начина, предвиден за вида на мощния инструмент, като вземате предвид работните условия и работата, която трябва да се извърши.** Използването на мощния инструмент за операции, различни от предвидените, може да причини опасна ситуация.
- **При носене на ръкавици винаги гарантирайте, че те няма да попречат освобождаването на дроселния механизъм.** Може да последва нараняване.
- **Не сваляйте никакви табелки.** Замените повредените табелки. Табелките дават информация за безопасното ползване на продукта.

### Използване и грижи за батерията

- **Зареджайте само със зарядното устройство, определено от производителя.** Зарядно устройство, което е подходящо за един вид акумулатор може да създаде опасност от пожар, ако се използва с друг акумулатор.
- **Използвайте мощни инструменти само със специално предназначен акумулаторен пакет.** Използването на друг акумулаторен пакет може да създаде риск от нараняване и пожар.
- **Когато акумулаторният пакет не се използва, дръжте го далеч от други метални обекти като: кламери, монети, ключове, пирони, винтове и други малки метални обекти, които могат да създадат връзка от едната клемма до другата.** Окъсяването на клемите на акумулатора може да причини изгаряния или пожар.
- **При неправилно манипулиране, от акумулатора може да излезе течност, избягвайте контакт. Ако случайно се осъществи контакт, промийте с вода. Ако течността допре и очите, потърсете медицинска помощ.** Течността, излязла от акумулатора, може да причини смущения или изгаряния.
- **Преди поставянето на акумулаторния пакет проверете дали превключвателят е изключен.** Поставянето на акумулаторния пакет в мощния инструмент с включен превключател е предпоставка за злополуки.
- **Разкачете акумулаторния пакет от инструмента, или поставете превключвателя във фиксирано изключено положение преди да правите настройки или да сменяте приспособления.** С тези предпазни мерки за безопасност намаляват риска от случайно задействане на инструмента.
- **Електрическите инструменти ще прегреят ако останат включени, когато двигателя на инструмента е много натоварен, блокиран или другояче му се пречи да се върти.** Изключете инструмента, ако това се случи. С оставянето на инструмента под напрежение в това състояние може да предизвика нагриване, пушене или пожар с нараняване или увреждане на имущество.
- **Разкачете акумулаторния пакет от инструмента преди да го складирайте или да го поставите в кутия за инструменти или торба.** Случайното пускане по време на складиране или транспортиране може да предизвика изключително опасни положения, включително прегрял инструмент. Неконтролираната работа на инструмента може да предизвика различни опасности, включително нагриване, дим или пожар.
- **Не блокирайте вентилационните отвори на корпуса, понеже това може да причини прегряване на инструмента.** Използването на инструмента в това състояние може да предизвика нагриване и предпоставка за злополуки.
- **Инструментът може да се прегрее при продължителна работа или тежки дейности. Веднага спрете работа и оставете инструмента да се охлади, ако някоя част от него стане твърде гореща при докосване или ако има индикация за дим от двигателя.** Продължаването на работата на инструмента при тези условия ще предизвика повреда на инструмента и състояние може да предизвика нараняване или увреждане на имущество от горещина или пожар.
- **Веднага спрете работа и заменете акумулатор, който става прекалено горещ при работа или има много къс работен цикъл.** Обикновено тези акумулатори имат голям брой цикли на презареждане или може да са стари или повредени. Продължаването на ползването на повреден акумулатор може да предизвика нараняване или увреждане на имущество от горещина, пожар или експлозия.
- **Не модифицирайте този инструмент, устройствата за безопасност или аксесоарите.** Неразрешените модификации могат да предизвикат електрически удар, пожар или нараняване.
- **Използвайте само аксесоари, които са препоръчани за Вашия модел от Ingersoll Rand.** Аксесоари, подходящи за един инструмент, могат да бъдат опасни, ако се използват с друг инструмент.
- **Не сваляйте никакви табелки.** Замените повредените табелки. Табелките дават информация за безопасното ползване на продукта.

### Обслужване

- **Давайте своя мощен инструмент за обслужване на квалифициран ремонтен техник, с използване само на идентични резервни части.** Това ще осигури поддържането на безопасността на мощния инструмент.

- **Когато обслужвате инструмент, използвайте само оригинални резервни части на Ingersoll Rand и следвайте указанията за поддръжка.** Използването на неразрешени части или неспазването на указанията за поддръжка може да създаде риск от електрически удар или нараняване.
- **Не изхвърляйте акумулатори в огън, не ги изгаряйте или нагрявате над 100° C (212° F).** Акумулаторите представляват риск от пожар или химическо изгаряне, ако не се обработват правилно.
- **Рециклирайте или изхвърляйте акумулаторите отговорно в съответствие с всички приложими стандарти и предписания (местни, щатски, държавни, федерални, т.н.).** Неправилното изхвърляне може да застраши околната среда.

### ВНИМАНИЕ

#### Специфични правила за Безопасност на Продукта

- **Дръжте инструмента само за изолираните повърхности за хващане, когато провеждате обработка там, където режещият инструмент може да докосне скрити проводници.** Докосване на проводник под напрежение също ще постави откритите метални части под напрежение и ще предизвика електрически удар на оператора.
- **При реверсивните модели проверете позицията на реверсивния механизъм преди пускане.** Знанието на посоката на въртене помага за запазване на контрол върху инструмента.
- **Използвайте само ударни накрайници и аксесоари.** Не използвайте ръчни (хромирани) накрайници или аксесоари. Те могат да се счупят по време на употреба и да предизвикат нараняване.
- **Периодично проверявайте работния край на инструмента, за да се убедите, че гнездодържателят работи правилно и че накрайниците и работните страни не са износени много.** И двете могат да позволят на накрайника да падне докато се върти.
- **Ударните ключове не са динамометрични ключове. Връзки, изискващи определен момент трябва да се проверят с измерител на момента след затягането им с ударен ключ.** Неправилно затегнати съединения могат да се разхлътат и да предизвикат нараняване.
- **Не трябва да се използват отворени дросели там, където прегради могат да задържат дросела в положение "вкл."** Може да не бъдете в състояние да изключите инструмента.
- **Не насочвайте лъча към очите на човек или животно.** Ярката светлина може да увреди очите.

#### Информация за безопасността на продукта: батерия

##### Описание на Продукта

Акумулаторът е електрическо устройство за съхраняване на енергия, което се използва като източник на захранване за акумулаторни продукти на Ingersoll Rand.

### ВНИМАНИЕ

#### Общи предупреждения за безопасност на акумулатора

- **Внимание! Прочетете внимателно всички предупреждения за безопасност и инструкции.** Неспазването на предупрежденията и инструкциите може да доведе до токов удар, пожар и/или тежки травми.
- **Запазете всички предупреждения и инструкции за бъдещи справки.**
- **Ваша е отговорността да направите тази информация за безопасността достъпна за другите които ще работят с този продукт.** Неспазването на стандартите и разпоредбите може да предизвика нараняване на човек.
- **Винаги монтирайте, работете, инспектирайте и поддържайте този продукт в съответствие с приложимите стандарти и изисквания (местни, щатски, държавни, федерални, т.н.).** Неспазването на стандартите и разпоредбите може да предизвика нараняване на човек
- Понятието "електрически инструмент" в предупрежденията се отнася за вашия електрически инструмент (безжичен), който се захранва от акумулатор.

#### Електрическа безопасност

- **Не излагайте акумулаторите или електрическите инструменти на дъжд или влага.** Ако вода проникне в акумулатора или електрическия инструмент, това ще увеличи риска от токов удар.

#### Лична безопасност

- **Не модифицирайте този продукт, устройствата за безопасност или принадлежностите.** Неразрешените модификации могат да предизвикат електрически удар, пожар или нараняване.

#### Употреба и грижи за акумулатора и електрическия инструмент

- **Когато не ги използвате, съхранявайте акумулаторите и електрическите инструменти далеч от досега на деца и не позволявайте лица, които не са запознати с работата с акумулатора и електрическия инструмент или не познават тези инструкции, да боравят с акумулатора или с електрическия инструмент.** Акумулаторите и електрическите инструменти са опасни в ръцете на необучени потребители.
- **Използвайте акумулатора, електрическия инструмент, аксесоарите, накрайниците на инструмента и т.н., в съответствие с тези инструкции, имайки предвид работните условия и работата, която трябва да се извърши.** Употребата на акумулатора или електрическия инструмент за операции, различни от предназначенията, може да доведе до опасни ситуации.
- **Зареждайте само със зарядното устройство, определено от производителя.** Зарядно устройство, което е предназначено за определен тип акумулатор, може да създаде риск от пожар, ако се използва с друг тип акумулатор. Прегледайте ръководството за работа със зарядното устройство за допълнителни специфични предупреждения, които се отнасят за него.
- **Използвайте електрическите инструменти само със специално предназначени за тях акумулатори.** Използването на друг тип акумулатор може да създаде риск от нараняване и пожар.
- **Когато не използвате акумулатора, съхранявайте го далеч от други метални предмети, например кламери, монети, ключове, гвоздеи, винтове или други малки метални предмети, които биха могли да свържат някъсо клемите на акумулатора.** Окъсяването на клемите на акумулатора може да причини изгаряния или пожар.
- **При неправилно манипулиране, от акумулатора може да излезе течност. Избягвайте контакт. Ако случайно се осъществят контакт, промийте с вода. Ако течността влезе в контакт с очите, потърсете медицинска помощ.** Течността, излязла от акумулатора, може да причини дразнене или изгаряния.

- Веднага спрете работа и заменете акумулатор, който става прекалено горещ при работа или има много къс работен цикъл. Обикновено тези акумулатори имат голям брой цикли на презареждане или може да са стари или повредени. Продължаването на ползването на повреден акумулатор може да предизвика нараняване или увреждане на имущество от горещина, пожар или експлозия.
- **Не сваляйте никакви табелки. Заменяйте повредените табелки.** Табелките дават информация за безопасно ползване на продукта.
- **Не подлагайте акумулаторите на механичен удар.**
- **Не подлагайте акумулатора на продължително зареждане, когато не го използвате.**
- **Когато е възможно и когато не го използвате, възвждайте акумулатора от оборудването.**
- **Не използвайте акумулатори, които са били физически повредени.**

#### Обслужване

- **Не изхвърляйте акумулатори в огън, не ги изгаряйте или нагрявате над 100° C (212° F).** Акумулаторите представляват риск от пожар или химическо изгаряне, ако не се обработват правилно.
- **Рециклирайте или изхвърляйте акумулаторите отговорно в съответствие с всички приложими стандарти и предписания (местни, щатски, държавни, федерални. т.н.).** Неправилното изхвърляне може да застраши околната среда.
- **Не отваряйте капака или корпуса. Във вътрешността не се съдържат никакви части, които да подлежат на обслужване. Може да последват електрически удар или нараняване.**

## Информация за безопасността на продукта: Зарядно устройство за батерия

### Описание на Продукта

Зарядното устройство за батерии е електрически уред, преобразуващ променливия ток в постоянен, който се използва за зареждане на акумулаторни батерии.

### ВНИМАНИЕ

#### Общи Правила за Безопасност

- **Прочетете и се запознайте внимателно с всички инструкции.** Неспазването на изброените по-долу инструкции може да доведе до електрически удар, пожар и/или сериозни телесни повреди.
- **Ваша е отговорността да направите тази информация за безопасността достъпна за другите които ще работят с този продукт.** Неспазването на стандарти и разпоредби може да причини телесни повреди.
- **Винаги инсталирайте, управлявайте, проверявайте и поддържайте този продукт в съответствие със всички приложими стандарти и предписания (местни, щатски, държавни, федерални. т.н.).** Изпълнението е Ваша отговорност. Неспазването на стандарти и разпоредби може да причини телесни повреди.
- **Децата трябва да са под постоянно наблюдение, за да се гарантира, че не използват и не играят с този продукт.** Този продукт не е предназначен за лица с намалени физически, сетивни или умствени способности или такива, които не притежават необходимия опит и знания, освен ако са под наблюдение или са инструктирани относно употребата на продукта от лице, отговорно за тяхната безопасност.

#### Безопасност на работната зона

- **Не използвайте зарядното устройство за батерии във взривоопасна атмосфера, например при наличие на запалими течности, газове или прах.** Зарядното устройство за батерии може да причини искри, които да възпламенят праха или изпаренията.

#### Електрическа Безопасност

- **Двойно изолираните продукти имат поляризиран щепсел (едната част е по-широка от другата). Този щепсел може да влезе в поляризиран контакт само по един начин. Ако щепселът не влиза напълно в контакта, обърнете щепсела. Ако това не помогне, се свържете с квалифициран електротехник, за да инсталира поляризиран контакт. Не променяйте щепсела.** Двойната изолация елиминира необходимостта от трижичен заземен захранващ кабел и заземена електрозахранваща система.
- **Не допускайте неправилна употреба на кабела. Никога не използвайте кабела за носене, дърпане или изключване от контакта на електрически инструмент. Дръжте кабела далече от топлина, масло, остри ръбове или движещи се части.** Повредени или заплетени кабели повишават риска от електрически удар.
- **Продукт, захранван с интегрални или отделни батерии, трябва да се презарежда само с посоченото зарядно устройство за батерията му.** Зарядно устройство, което е подходящо за един вид батерии, може да създаде риск от пожар, когато се използва с друг тип батерии.
- **Зарядното устройство трябва да се използва само на закрито. Не излагайте зарядното устройство на дъжд. Не използвайте зарядното устройство на влажно или мокро място.** Токов удар или друга телесна повреда може да доведе.
- **Винаги използвайте захранване с посоченото напрежение.** Неподходящо напрежение може да причини електрически удар, пожар, неправилно функциониране и може да доведе до телесни повреди.
- **Не докосвайте клемите за зареждане на батерии с пръсти, жица или друг проводим материал. Свързвайте само с батерия, одобрена от Ingersoll Rand.** Токов удар или друга телесна повреда може да доведе.
- **Не презареждайте батерии за еднократна употреба.** Това може да доведе до електрически удар, пожар или други телесни повреди.

#### Лична Безопасност

- **Не модифицирайте този продукт, устройствата за безопасност или принадлежностите.** Непозволена модификация може да доведе до електрически удар, пожар или телесна повреда.
- **Не използвайте този инструмент за цели, различни от предназначението му.** Това може да доведе до електрически удар, пожар или други телесни повреди.
- **Поставете зарядното устройство в стабилна позиция, преди да го включите към електрозахранването. Пазете зарядното устройство на разстояние от деца.** Неподходящо място или за ползване от децата може да доведе до токов удар, пожар или телесна повреда.

#### Употреба и Поддръжка

- **Никога не използвайте повредено или неизправно зарядно устройство. Незабавно изключете зарядното устройство от контакта и го занесете на ремонт или го сменете.** Продължителна употреба може да доведе до токов удар, пожар или телесна повреда.
- **Не сваляйте никакви табелки. Заменяйте повредените етикети.** Табелките дават необходимата информация за безопасна употреба на продукта.

**Обслужване**

- **Ремонтът трябва да се извършва само от оторизиран сервизен център на Ingersoll Rand или сервизен персонал с подобна квалификация.** Обслужване или поддръжка, извършени от неквалифициран персонал, може да доведе до риск от нараняване. Консултирайте се с най-близкия упълномощен сервизен център на **Ingersoll Rand**.
- **Не отваряйте капака или корпуса. Под тях няма части, които могат да се поправят от потребителя.** Токов удар или друга телесна повреда може да доведе.
- **Ако захранващият кабел е повреден, той трябва да се смени от оторизиран сервизен център на Ingersoll Rand или сервизен персонал с подобна квалификация.** Повредените и неправилно инсталирани струни увеличаване на риска от токов удар.

**БЕЛЕЖКА**

Относно информация за безопасност, специфична за модела, направете справка с ръководството, съдържащо информация за продукта.

**Идентификация на Символите за Безопасност**

Риск от Експлозия.  
Следвайте всички процедури за безопасност при използване.



Ползвайте защита на очите



Носете защита на ушите



Преди работа с продукта прочетете ръководствата



(Dwg. 16589525)

**Информация по Безопасността - Обяснение на Сигналните Думи за Безопасност**

**ОПАСНОСТ**

Показва непосредствена опасна ситуация, която, ако не се избегне, ще доведе до смърт или сериозно нараняване.

**ВНИМАНИЕ**

Показва потенциално опасна ситуация, която, ако не се избегне, ще доведе до смърт или сериозно нараняване.

**ПРЕДУПРЕЖДЕНИЕ**

Показва потенциално опасна ситуация, която, ако не се избегне, ще доведе до леко или средно нараняване или материална щета.

**БЕЛЕЖКА**

Показва информация или фирмена политика, която директно или индиректно се отнася до безопасността на персонала или защита на имуществото.

**Информация за Частите на Продукта**

**ПРЕДУПРЕЖДЕНИЕ**

Използването на друг резервни части освен истински Ingersoll Rand може да предизвика застрашена безопасност, намалена производителност на инструмента и повишена поддръжка, и може да анулира всички гаранции. Ремонтването трябва да се извършва само от оторизиран обучен персонал.

Ремонтирането трябва да се извършва само от оторизиран обучен персонал. Консултирайте се с най-близкия оторизиран сервизен център на Ingersoll Rand.

Оригиналните инструкции са на английски. Другите езици са превод на оригиналните инструкции.

Ръководствата могат да бъдат изтеглени от [ingersollrandproducts.com](http://ingersollrandproducts.com).

За всички комуникации се обръщайте към най-близкия офис или дистрибутор на **Ingersoll Rand**.

## Descrierea Produsului

Cheia cu impact fără cablu de alimentare este un dispozitiv mecanic manual, acționat cu baterie, care utilizează impactul rotativ pentru a strânge sau slăbi dispozitive de fixare filetate, cu ajutorul unor racorduri special durificate, detașabile.

### AVERTIZARE

#### Reguli Generale de Siguranță

- **Avertisment!** Citiți toate instrucțiunile. Nerespectarea tuturor instrucțiunilor listate mai jos poate conduce la electrocutare, incendiu și/sau vătămări grave. Păstrați toate avertizările și instrucțiunile pentru o consultare ulterioară. Termenul "dispozitiv mecanic" folosit în toate avertismentele listate mai jos se referă la dispozitivul principal acționat (cu cablu de alimentare) sau dispozitivul mecanic acționat cu baterie (fără cablu).
- **Este responsabilitatea dumneavoastră să puneți aceste informații de siguranță la dispoziția altor persoane ce vor utiliza acest produs.** Nerespectarea standardelor și reglementărilor poate duce la vătămare corporală.
- **Instalați, utilizați, inspectați și întrețineți întotdeauna acest produs în conformitate cu toate standardele și reglementările aplicabile (locale, statale, naționale, federale, etc.).** Conformarea cu aceste reguli este responsabilitatea dumneavoastră. Nerespectarea standardelor și reglementărilor poate duce la vătămare corporală.

#### Securitatea în zona de lucru

- **Mentțineți permanent zona dumneavoastră de lucru curată și bine iluminată.** Dezordinea de pe bancurile de lucru și zonele întunecoase pot reprezenta riscuri de accidente.
- **Nu acționați dispozitivele mecanice în atmosferă explozibilă, cum ar fi prezența lichidelor inflamabile, gaze sau praf.** Dispozitivele mecanice creează scântei care pot aprinde praful sau emisiile de gaze.
- **În timpul acționării unui dispozitiv mecanic, țineți la distanță copiii ca și persoanele din jur.** Distragerea atenției poate duce la pierderea controlului.
- **Țineți cont de orice pericole ascunse sau mascate, prezente în mediul de lucru. Nu atingeți și nu deteriorați cablurile, conductele de cabluri, țevile sau furtunurile care pot conține fire electrice, gaze explozive sau lichide nocive.** Acestea pot cauza electrocutare, incendii sau vătămări corporale.

#### Reguli Privind Siguranța Electrică

- **Fișele de alimentare ale dispozitivelor mecanice trebuie să se potrivească cu priza. Nu modificați niciodată, în nici un fel, fișa de alimentare. Nu folosiți fișe de alimentare cu adaptare, pentru dispozitivele mecanice care au împământare.** Fișele de alimentare nemodificate și prizele potrivite vor reduce riscul de electrocutare.
- **Evitați contactul fizic cu suprafețele împământate cum ar fi țevile, radiatoroarele, sobele și frigidererele.** Există un risc crescut de electrocutare, dacă prin corpul dumneavoastră se face conectarea cu pământul.
- **Nu expuneți dispozitivele mecanice la ploaie sau condiții de umiditate.** Apa care pătrunde în dispozitivul mecanic va spori riscul de electrocutare.
- **Nu forțați cablul de alimentare. Nu folosiți niciodată cablul de alimentare pentru a transporta, trage sau scoate din priză dispozitivul mecanic.** Țineți cablul de alimentare departe de căldură, ulei, margini ascuțite sau piese în mișcare. Cablurile de alimentare deteriorate sau încurcate cresc riscul de electrocutare.
- **Atunci când se folosește un dispozitiv mecanic în aer liber, folosiți un prelungitor pentru cablul de alimentare corespunzător utilizării în aer liber.** Folosirea unui cablu de alimentare corespunzător utilizării în aer liber reduce riscul de electrocutare.
- **În cazul în care nu se poate evita operarea unei țevi în locuri umede, utilizați un o sursă de curent protejată cu dispozitiv pentru curent rezidual (RCD).** Utilizarea unui RCD reduce riscul electrocutării.
- **Utilizați întotdeauna tensiunea de alimentare specificată.** Tensiunea incorectă poate produce șoc electric, incendiu, funcționare anormală și poate conduce la rănirea personalului.
- **Asigurați-vă că toate cordonalele și cablurile electrice au dimensiunea corectă și toate ștechererele și conectorii sunt bine fixați.** Firele subdimensionate și conexiunile slăbite pot produce șocuri electrice, incendii și pot conduce la rănirea personalului.

#### Reguli de Siguranță Personală

- **Când folosiți un dispozitiv mecanic, fiți vigilenți, aveți grijă la ceea ce faceți și folosiți-vă simțul practic. Nu folosiți dispozitivele mecanice când sunteți obosiți sau sub influența medicamentelor sau a alcoolului.** Un moment de neatenție când folosiți dispozitivele mecanice poate duce la vătămări corporale grave.
- **Folosiți echipamente de protecție. Purtați întotdeauna ochelari de protecție.** Echipamentul de protecție, cum ar fi masca antipraf, încălțămîntea de protecție antiderapantă, cască sau căștile antigomot, folosit în condiții adecvate poate reduce riscul de vătămare corporală.
- **Evitați pornirea accidentală. Înainte de a face conectarea la priză, asigurați-vă că întrerupătorul este în poziția închis.** Transportarea dispozitivelor având degetul pe întrerupător, sau punerea în priză a dispozitivelor mecanice care au întrerupătorul deschis, poate duce la accidente.
- **Îndepărtați orice cheie de reglare înainte de a porni dispozitivul mecanic.** O cheie care rămâne atașată la una din piesele rotative ale dispozitivului mecanic poate duce la vătămare corporală.
- **Nu întindeți brațele excesiv. În permanență stați bine pe picioare și păstrați-vă echilibrul.** Aceasta permite un control mai bun al dispozitivului mecanic în situații neprevăzute.
- **Îmbrăcați-vă corespunzător. Nu purtați haine largi sau bijuterii. Strângeți sub bonetă/cască părul lung. Păstrați o distanță sigură între piesele în mișcare și părul, îmbrăcămîntea și mânușile dumneavoastră.** Hainele largi, bijuteriile sau părul lung se pot prinde în piesele aflate în mișcare.
- **Dacă dispozitivele sunt prevăzute pentru a fi conectate la instalații de extragere și colectare a prafului, asigurați-vă că acestea sunt conectate și folosite corespunzător.** Folosirea acestor dispozitive poate reduce pericolele legate de prezența prafului.
- **Folosiți cleme de prindere sau orice altă modalitate practică pentru a asigura și sprijini piesa de prelucrat pe o platformă stabilă.** Susținerea piesei de prelucrat cu mâna sau cu corpul este improprie și poate duce la pierderea controlului.
- **Nu vă expuneți la și nu respirați praful și particulele nocive produse la utilizarea dispozitivului mecanic.**
  - Praful produs de sablarea, debitarea, rectificarea sau găurirea mecanică și de alte activități mecanice poate conține substanțe chimice cunoscute ca fiind cauzatoare de cancer, deformații congenitale sau alte afecțiuni reproductive. Exemple de astfel de substanțe chimice:
    - plumbul conținut de vopselele pe bază de plumb;
    - siliciul cristalin din cărămizi, ciment și alte produse de zidărie, și
    - arsenicul și cromul din cherestea tratată chimic.

- Riscul expunerii la acest substanțe variază în funcție de frecvența executării tipului respectiv de operații. Pentru a reduce nivelul de expunere la aceste substanțe chimice: lucrați într-o zonă bine ventilată și folosiți echipamente de protecție aprobate, ca măștile antipraf special proiectate pentru filtrarea particulelor microscopice.
- **Încetați să mai utilizați dispozitivul dacă simțiți dureri, disconfort sau furnicăături.** Vibrațiile, mișcările repetitive sau pozițiile incomode pot avea un efect periculos asupra brațelor și mâinilor. Dispozitivele mecanice pot vibra în cursul funcționării. Consultați un medic înainte de a reincepe să utilizați dispozitivul.
- **Emisia de vibrații din timpul utilizării efective a unei poate diferi de valoarea declarată, în funcție de condițiile de utilizare a acestuia.** Luați măsuri de securitate corespunzătoare pentru a proteja operatorul, pe baza unei estimări a expunerii în timpul utilizării efective.
- **Evitați contactul cu piesele în mișcare ale dispozitivului mecanic.** Dispozitivul și/sau accesoriile își pot continua mișcarea câteva momente după ce curentul a fost oprit, creând riscul prinderii (agățării) sau alte vătămări corporale.

### Utilizarea și Îngrijirea Dispozitivelor Mecanice

- **Nu forțați dispozitivul mecanic. Folosiți dispozitivul mecanic adecvat lucrării de executat.** Dispozitivul adecvat va realiza lucrarea mai bine și mai sigur, la capacitatea pentru care a fost proiectat.
- **Nu folosiți dispozitivul mecanic dacă întrerupătorul său nu se deschide și nu se închide.** Orice dispozitiv mecanic care nu poate fi controlat de la întrerupător este periculos și trebuie reparat.
- **Deconectați fișa de alimentare de la sursa de curent înainte de a face orice fel de reglare, schimbare de accesorii sau depozitarea dispozitivului mecanic.** Astfel de măsuri preventive reduc riscul pornirii accidentale a dispozitivului.
- **Depozitați dispozitivele mecanice neutilizate astfel încât să nu fie la îndemâna copiilor și nu permiteți folosirea lor de către persoane nefamiliarizate cu aceste dispozitive mecanice sau cu instrucțiunile de folosire.** Dispozitivele devin periculoase în mâinile utilizatorilor neinstruiți.
- **Efectuați întreținerea dispozitivelor mecanice Verificați orice eventuale necolinarități sau înțepeniri ale pieselor mobile, piese rupte și orice alte condiții care pot afecta funcționarea dispozitivelor mecanice. Dacă dispozitivul mecanic este deteriorat, reparați-l înainte de utilizare.** Multe accidente sunt cauzate de dispozitive mecanice prost întreținute.
- **Păstrați dispozitivele de tăiere ascuțite și curate.** Dispozitivele bine întreținute, cu margini de tăiere ascuțite, au șanse mai mici să se înțepenească și sunt mai ușor de controlat. Mențineți mânerul curat și uscat, pentru a asigura controlul.
- **Folosiți dispozitivul mecanic, accesoriile și vârfulurile demontabile în concordanță cu aceste instrucțiuni și în modul adecvat fiecărui tip de dispozitiv mecanic, ținând cont de condițiile de lucru și lucrarea ce trebuie realizată.** Folosirea altui tip de dispozitiv mecanic decât cel adecvat poate duce la situații periculoase.
- **Când purtați mănuși, asigurați-vă întotdeauna că mănușile nu împiedică eliberarea mecanismului supapei de reglare debit.** Pot avea loc vătămări corporale.
- **Nu scoateți nicio etichetă de pe dispozitiv. Înlocuiți orice etichetă deteriorată.** Etichetele furnizează informațiile necesare pentru utilizarea în siguranță a produsului.

### Utilizarea și întreținerea bateriei

- **Reîncărcați numai cu un încărcător specificat de către producător.** Un încărcător adecvat pentru un tip de baterie poate crea riscul de incendiu când este folosit la o altă baterie.
- **Folosiți dispozitivul mecanic doar cu pachetul de baterii special destinat.** Folosirea altui tip de pachet de baterii poate crea riscul de vătămare sau de incendiu.
- **Când pachetul de baterii nu este folosit, păstrați-l departe de obiecte metalice, cum ar fi: agrafe, monede, chei, cuie, șuruburi, sau alte obiecte metalice mici care pot face masă, prin atingerea ambelor borne.** Prin realizarea conexiunii între bornele bateriilor cu aceste obiecte se pot produce arsuri sau incendii.
- **În condiții de folosire excesivă, se poate scurge lichidul din baterii; evitați contactul. Dacă accidental se produce contactul cu lichidul, spălați cu apă. Dacă lichidul vine în contact cu ochii, solicitați ajutor medical.** Lichidul scurs din baterii poate provoca iritații și arsuri.
- **Înainte de a introduce pachetul de baterii, asigurați-vă ca întrerupătorul este în poziția închis.** Introducerea pachetului de baterii cu întrerupătorul deschis poate duce la accidente.
- **Înainte de a face reglări sau schimbarea accesoriilor, scoateți pachetul de baterii din dispozitiv sau puneți întrerupătorul în poziția închis.** Astfel de măsuri preventive reduc riscul pornirii accidentale a dispozitivului.
- **Dispozitivele electrice se vor supraîncălzi dacă rămân în funcțiune când motorul funcționează în suprasarcină, s-a blocat sau este împiedicat în alt mod să se rotească. Când se întâmplă o astfel de situație, opriți dispozitivul.** Continuarea utilizării dispozitivului mecanic în aceste condiții poate produce supraîncălzire, fum sau incendiu cu vătămare corporală sau a proprietății.
- **Scoateți pachetul de baterii din dispozitiv înainte de a pune dispozitivul în trusa de scule sau în sacul de depozitare. Pornirea accidentală în timpul depozitării sau transportului poate duce la situații periculoase, inclusiv la supraîncălzirea dispozitivului.** Funcționarea necontrolată a dispozitivului poate duce la situații periculoase, incluzând supraîncălzire, fum sau un incendiu.
- **Nu blocați găurile de răcire și aerisire din carcasă, deoarece acest lucru poate duce la supraîncălzirea dispozitivului.** Folosirea dispozitivului în aceste condiții poate produce supraîncălzire, fum sau incendiu cu vătămare corporală sau a proprietății.
- **Dispozitivul se poate supraîncălzi în timpul funcționării continue sau a unor cicluri de funcționare foarte solicitante. Opriți imediat lucrul și lăsați dispozitivul să se răcească, dacă orice parte a dispozitivului devine prea fierbinte pentru a fi atinsă sau dacă se observă fum de la motor.** Continuarea folosirii dispozitivului în aceste condiții va duce la deteriorarea dispozitivului și poate provoca vătămare corporală sau a proprietății din cauza căldurii sau a incendiului.
- **Opriți imediat lucrul și înlocuiți orice baterie care se încălzește excesiv în timpul folosirii sau are durată scurtă de folosire.** În general, aceste baterii au fost supuse unui număr mare de cicluri de încărcare/descărcare, sau pot fi vechi sau deteriorate. Folosirea în continuare a bateriilor deteriorate poate duce la vătămare corporală sau a proprietății, încălzire, incendiu sau explozie.
- **Nu modificați acest dispozitiv, dispozitivele de siguranță sau accesoriile.** Modificările neautorizate pot duce la electrocutări, incendii sau vătămări corporale.
- **Pentru modelul dumneavoastră folosiți doar accesoriile care sunt recomandate de Ingersoll Rand.** Accesoriile care sunt adecvate pentru un dispozitiv pot deveni periculoase când sunt folosite la alt dispozitiv.
- **Nu scoateți nicio etichetă de pe dispozitiv. Înlocuiți orice etichetă deteriorată.** Etichetele furnizează informațiile necesare pentru utilizarea în siguranță a produsului.

### Service

- **Orice operații de service pentru dispozitivul dumneavoastră vor fi efectuate de persoane calificate pentru astfel de reparații, folosind piese de înlocuire identice.** Acest lucru va asigura menținerea siguranței de folosire a dispozitivului mecanic.
- **Când efectuați orice operație de service pentru un dispozitiv, folosiți numai piese de înlocuire originale Ingersoll Rand și respectați Instrucțiunile de întreținere.** Folosirea unor piese neautorizate sau nerespectarea Instrucțiunilor de întreținere poate duce la riscul de electrocutare sau vătămare.
- **Nu aruncați bateriile în foc, nu le ardeți și nu le încălziți peste 100° C (212° F).** Dacă nu sunt tratate corespunzător, bateriile prezintă riscul

provocării unui incendiu sau al unor arsuri chimice.

- **Reciclați sau aruncați bateriile în conformitate cu toate standardele și reglementările aplicabile (locale, statale, naționale, federale, etc.).** Eliminarea necorespunzătoare a bateriilor poate periclită mediul înconjurător.

### AVERTIZARE

#### Reguli de Siguranță Specifice Produsului

- **Când executați o operație în care dispozitivul de tăiere poate atinge cablaje electrice ascunse, apucați dispozitivul de zona de prindere izolată.** Contactul cu un cablu sub tensiune poate cauza încălzirea cu electricitate a pieselor metalice expuse ale dispozitivului, putând electrocuta operatorul.
- **In cazul modelelor reversibile, înainte de punerea lor funcțiune, rețineți poziția mecanismului reversibil.** Cunoașterea direcției de rotire ajută la menținerea controlului asupra dispozitivului.
- **Utilizați numai racorduri și accesorii rezistente la șocuri.** Nu utilizați racorduri sau accesorii manuale (din crom). Acestea se pot rupe în timpul folosirii, provocând vătămări.
- **Verificați periodic capătul de antrenare al dispozitivului pentru a vă asigura că dispozitivul de blocare a racordului funcționează corect și că racordurile și capetele de antrenare nu sunt foarte uzate.** În oricare din aceste condiții racordul se poate desprinde în timpul rotației.
- **Cheile cu impact nu sunt chei dinamometrice.** Îmbinările care necesită un cuplu specific de strângere trebuie verificate cu un tor-siometru după montarea cu o cheie cu impact. Îmbinările cuplate necorespunzător pot să se desfacă și pot provoca vătămări.
- **Nu se vor utiliza supape de reglare debit expuse, acolo unde o obstrucție poate reține supapa în poziția „on” (deschis).** Este posibil să nu mai puteți închide dispozitivul.
- **Nu îndreptați raza de lumină către ochii unei persoane sau ai unui animal.** Lumina puternică poate vătăma ochii.

#### Informații privind siguranța produsului: Baterie

##### Descrierea Produsului

O baterie este un dispozitiv de stocare a energiei electrice utilizat ca sursă de alimentare pentru produsele fără fir Ingersoll Rand.

### AVERTIZARE

#### Avvertizări generale privind siguranța bateriei

- **Avvertisment! Citiți toate avvertizările și instrucțiunile privind siguranța.** Nerespectarea avvertizărilor și instrucțiunilor poate duce la o electrocutare, un incendiu și/sau la o vătămare corporală gravă.
- **Păstrați toate avvertizările și instrucțiunile pentru o consultare ulterioară.**
- **Este responsabilitatea dumneavoastră să puneți aceste informații de siguranță la dispoziția altor persoane ce vor utiliza acest produs.** Nerespectarea standardelor și reglementărilor poate duce la vătămare corporală.
- **Instalați, utilizați, inspecți și întrețineți întotdeauna acest produs în conformitate cu toate standardele și reglementările aplicabile (locale, statale, naționale, federale, etc.).** Conformarea cu aceste reguli este responsabilitatea dumneavoastră. Nerespectarea standardelor și reglementărilor poate duce la vătămare corporală.
- Termenul "dispozitiv mecanic" din avvertizări se referă la dispozitivul dvs. mecanic acționat de baterie (fără fir).

#### Siguranță electrică

- **Nu expuneți bateriile sau dispozitivele mecanice la ploaie sau la condiții de umezeală.** Apa care pătrunde într-o baterie sau într-un dispozitiv mecanic va mări riscul de producere a electrocutărilor.

#### Reguli de siguranță personală

- **Nu modificați acest produs, dispozitivele sale de siguranță sau accesorii.** Modificările neautorizate pot duce la electrocutări, incendii sau vătămări corporale.

#### Utilizarea și întreținerea bateriei și a dispozitivului mecanic

- **Depozitați bateriile și dispozitivele mecanice în locuri inaccesibile copiilor și nu permiteți persoanelor care nu sunt familiarizate cu bateria, cu dispozitivul mecanic sau cu aceste instrucțiuni să le acționeze.** Bateriile și dispozitivele mecanice sunt periculoase în mâinile utilizatorilor fără experiență.
- **Utilizați bateria, dispozitivul mecanic, accesorii și cuțitele aplicate etc. în conformitate cu aceste instrucțiuni, ținând cont de condițiile de lucru și de activitatea care urmează a fi efectuată.** Utilizarea bateriei sau a dispozitivului mecanic pentru operații diferite de cele prevăzute poate avea ca rezultat situații periculoase.
- **Reîncărcați numai cu încărcătorul specificat de către producător.** Un încărcător adecvat pentru un pachet de baterii poate crea pericol de incendii când este utilizat cu un alt pachet de baterii. Consultați manualul Informații privind produsele de tip încărcător pentru avvertismente suplimentare privind încărcătoarele.
- **Folosii dispozitivele mecanice doar cu pachetele de baterii special destinate.** Folosirea altui tip de pachet de baterii poate crea riscul de vătămare sau de incendiu.
- **Când pachetul de baterii nu este în uz, țineți-l la distanță de alte obiecte metalice, precum agrafe, monezi, chei, cuie, șuruburi sau alte obiecte metalice mici, care pot stabili o conexiune între o bornă și alta.** Prin realizarea conexiunii între bornele bateriilor se pot produce arsuri sau incendii.
- **În condiții de folosire excesivă, se poate scurge lichidul din baterii; evitați contactul. Dacă accidental se produce contactul cu lichidul, spălați cu apă. Dacă lichidul vine în contact cu ochii, solicitați ajutor medical.** Lichidul scurs din baterii poate provoca iritații sau arsuri.
- **Opriti imediat lucrul și înlocuiți orice baterie care se încălzește excesiv în timpul folosirii sau are durată scurtă de folosire. În general, aceste baterii au fost supuse unui număr mare de cicluri de încărcare/descărcare, sau pot fi vechi sau deteriorate.** Folosirea în continuare a bateriilor deteriorate poate duce la vătămarea corporală sau a proprietății, încălzire, incendiu sau explozie.
- **Nu scoateți nicio etichetă de pe dispozitiv. Înlocuiți orice etichetă deteriorată.** Etichetele furnizează informațiile necesare pentru utilizarea în siguranță a produsului.
- **Nu supuneți bateriile la șocuri mecanice.**
- **Nu lăsați o baterie la încărcat pentru un timp prelungit, atunci când nu este utilizată.**
- **Când este posibil, scoateți bateria din echipament atunci când acesta nu se află în uz.**
- **Nu utilizați bateriile care au suferit deteriorări fizice.**

## Service

- **Nu aruncați bateriile în foc, nu le ardeți și nu le încălziți peste 100° C (212° F).** Dacă nu sunt tratate corespunzător, bateriile prezintă riscul provocării unui incendiu sau al unor arsuri chimice.
- **Reciclați sau aruncați bateriile în conformitate cu toate standardele și reglementările aplicabile (locale, statale, naționale, federale, etc.).** Eliminarea necorespunzătoare a bateriilor poate periclita mediul înconjurător.
- **Nu deschideți capacul sau carcasa. În interior nu se află componente care să poată fi reparate de utilizator.** În caz contrar, există riscul de electrocutare sau vătămare corporală.

## Informații privind siguranța produsului: Bateria încărcător

### Descrierea Produsului

Un încărcător de baterii este un echipament electric care convertește curentul electric alternativ în curent continuu utilizat pentru a încărca bateriile.

### AVERTIZARE

#### Reguli Generale de Siguranță

- **Citiți și înțelegeți toate instrucțiunile.** Nerespectarea tuturor instrucțiunilor prezentate mai jos poate conduce la apariția șocurilor electrice, a incendiilor și/sau a rănirii corporale grave.
- **Responsabilitatea punerii acestor informații privind siguranța la dispoziția altor persoane ce vor utiliza acest produs vă revine integral dumneavoastră.** Nerespectarea standardelor și a reglementărilor poate conduce la rănirea personalului.
- **Instalați, utilizați, inspectați și întrețineți întotdeauna acest produs în conformitate cu toate standardele și reglementările aplicabile (locale, statale, naționale, federale, etc.).** Conformarea cu aceste reguli este responsabilitatea dumneavoastră. Nerespectarea standardelor și reglementărilor poate duce la vătămare corporală.
- **Copii trebuie supravegheați pentru a vă asigura că aceștia nu utilizează și nu se joacă cu echipamentul.**
- **Acest produs nu este destinat utilizării de către persoane cu capacități fizice, senzoriale sau intelectuale reduse, ori fără experiență sau cunoștințe, în lipsa supravegherii lor sau în lipsa instruirii în privința utilizării produsului de către o persoană responsabilă pentru siguranța lor.**

#### Securitatea în zona de lucru

- **Nu utilizați încărcătorul de baterii în medii explozive, cum ar fi în prezența lichidelor, gazelor sau prafului inflamabil.** Un încărcător de baterii poate produce scântei care pot aprinde praful sau vaporii.

#### Siguranță Electrică

- **Produsele cu izolație dublă sunt dotate cu un conector polarizat (o mufă este mai lată decât cealaltă). Acest conector va intra într-un soclu polarizat numai într-o singură direcție. Dacă conectorul nu pătrunde complet în soclu, inversați conectorul. Dacă totuși nu pătrunde, contactați un electrician calificat pentru a instala un soclu polarizat. Nu aduceți niciun fel de modificări conectorului.** Izolația dublă elimină necesitatea unui cablu cu împământare cu 3 fire și a unui sistem de alimentare cu împământare.
- **Nu utilizați în scop abuziv cordonul. Nu utilizați niciodată cordonul pentru transportarea, tragerea sau deconectarea de la priză a unei altei acționate electrice. Țineți cordonul la distanță de căldură, ulei, muchi ascuțiți sau piese în mișcare.** Cordonul deteriorat sau încălțit crește riscul apariției șocului electric.
- **Un produs care funcționează pe bază de baterii cu baterii integrate sau cu un acumulator separat trebuie să fie reîncărcat numai cu ajutorul încărcătorului specificat pentru acele baterii.** Un încărcător care poate fi adecvat pentru un tip de baterie poate produce riscul de incendiu când este utilizat cu o altă baterie.
- **Încărcătorul este destinat numai utilizării în interior. A nu se expune încărcătorul la intemperii. A nu se utiliza încărcătorul în locuri cu umiditate ridicată.** Șoc electric sau de altă vătămare corporală poate avea ca rezultat.
- **Utilizați întotdeauna tensiunea de alimentare specificată.** Tensiunea incorectă poate produce șoc electric, incendiu, funcționare anormală și poate conduce la rănirea personalului.
- **Evitați contactul cu terminalele de încărcare a bateriei cu degetele, cu fire sau cu alte materiale conducătoare de curent electric. Conectați-le exclusiv la baterii aprobate de Ingersoll Rand.** Șoc electric sau de altă vătămare corporală poate avea ca rezultat.
- **A nu se încerca reîncărcarea bateriilor care nu sunt reîncărcabile.** Pot rezulta șocuri electrice, incendii sau rănirea personalului.

#### Siguranța Personală

- **Nu modificați acest produs, dispozitivele sale de siguranță sau accesoriile.** Modificările neautorizate pot conduce la apariția șocurilor electrice, a incendiilor sau a rănirii personalului.
- **Nu utilizați această unealtă în alte scopuri decât cele recomandate.** Pot rezulta șocuri electrice, incendii sau alte forme de rănire a personalului.
- **Plasați încărcătorul într-o poziție stabilă înainte de a-l conecta la sursa de alimentare. Păstrați încărcătorul astfel încât să nu fie la îndemâna copiilor.** Nepotrivit de locație sau de a folosi de către copii poate duce la șoc electric, foc sau vătămare corporală.

#### Utilizare și Îngrijire

- **Este interzisă utilizarea unui încărcător deteriorat sau care nu funcționează corespunzător. Deconectați imediat încărcătorul și trimiteți-l la reparat sau înlocuiți-l.** Folosirea în continuare ar putea duce la șoc electric, foc sau vătămare corporală.
- **Nu scoateți nicio etichetă de pe dispozitiv. Înlocuiți orice etichetă deteriorată.** Etichetele furnizează informațiile necesare pentru utilizarea în siguranță a produsului.

#### Service

- **Lucrările de service asupra acestui echipament trebuie realizate numai de un Centru de service autorizat Ingersoll Rand sau de personal similar calificat în efectuarea reparațiilor.** Service-ul sau întreținerea realizate de către personal necalificat ar putea conduce la riscul rănirii. Consultați cel mai apropiat centru service autorizat Ingersoll Rand.
- **A nu se deschide capacul sau carcasa. În interior nu se află componente care să poată fi reparate de utilizator.** Șoc electric sau de altă vătămare corporală poate avea ca rezultat.
- **Dacă cablul de alimentare este deteriorat, acesta trebuie înlocuit de un Centru de service autorizat Ingersoll Rand sau de personal similar calificat în efectuarea reparațiilor.** Deteriorat și impropriu instalat cabluri crește riscul de electrocutare.

**NOTĂ**

Consultați Manualul cu informații despre produs pentru diverse informații privind siguranța unui anumit model.

**Identificarea Simbolurilor de Siguranță**

Pericol de explozie.  
Respectați toate procedurile de siguranță pentru utilizare.



Purtați ochelari de protecție



Purtați căști antizgomot






Citiți manualul înainte de a utiliza produsul



(Dwg. 16589525)

**Informații Privind Siguranța – Explicația Cuvintelor care Însoțesc Semnele de Siguranță**

 <b>PERICOL</b>	Indică o situație periculoasă iminentă care, dacă nu este evitată, poate cauza decesul sau vătămarea corporală gravă.
 <b>AVERTIZARE</b>	Indică o situație potențial periculoasă care, dacă nu este evitată, poate cauza decesul sau vătămarea corporală gravă.
 <b>ATENȚIE</b>	Indică o situație potențial periculoasă care, dacă nu este evitată, poate cauza vătămarea corporală minoră sau moderată, sau pagube materiale.
<b>NOTĂ</b>	Indică informații sau politici ale companiei legate direct sau indirect de siguranța personală sau de protecția proprietăților.

**Informații Privind Componentele Produsului**** ATENȚIE**

Utilizarea de alte piese de schimb decât cele originale Ingersoll Rand poate determina riscuri pentru siguranță, performanțe reduse ale dispozitivului și costuri de întreținere mai mari, și poate invalida toate garanțiile.

Reparațiile se vor efectua numai de personal pregătit autorizat. Consultați cel mai apropiat centru de service autorizat Ingersoll Rand.

Instrucțiunile originale sunt în limba engleză. Variantele în alte limbi sunt traduceri ale instrucțiunilor originale.

Manualele pot fi descărcate de pe internet de la adresa [ingersollrandproducts.com](http://ingersollrandproducts.com).

Orice comunicare va fi adresată celei mai apropiate reprezentanțe sau distribuitor **Ingersoll Rand**.

## Описание Изделия

Бесшнуровой импульсный гайковерт – это ручной электроинструмент, работающий от батареи, в котором вращательные импульсы используются для затягивания или ослабления резьбовых крепежных деталей через специально упрочненные отсоединяющиеся гнезда.

### ПРЕДУПРЕЖДЕНИЕ

## Общие правила Безопасной Эксплуатации

- **Предупреждение!** Прочтите все инструкции. Невыполнение перечисленных ниже инструкций может привести к поражению электрическим током, пожару и/или серьезной травме. Сохраните все предупреждения и инструкции для будущего использования в справочных целях. Термин “электроинструмент” во всех предупреждениях относится к электроинструменту с питанием от сети (со шнуром) или к электроинструменту, работающему от батареи (бесшнуровому).
- **Вы обязаны предоставить информацию по безопасности всем, кто будет пользоваться этим изделием.** Несоблюдение стандартов и правил может привести к травме.
- **Всегда устанавливайте, эксплуатируйте, проверяйте и обслуживайте это изделие в соответствии с действующими стандартами и правилами (местными, областными, республиканскими, федеральными и т.д.).** Вы несете ответственность за соответствие стандартам. Несоблюдение стандартов и правил может привести к травме.

## Безопасность рабочей области

- **Работайте в чистом и хорошо освещенном месте.** Захламление рабочей поверхности и недостаток света могут стать причиной несчастных случаев.
- **Не пользуйтесь электроинструментом во взрывоопасной атмосфере (например, при наличии горючих жидкостей, газов или пыли).** От электроинструмента летят искры, которые могут привести к возгоранию пыли или испарений.
- **Не допускайте посторонних лиц и детей к месту проведения работ с электроинструментом.** Не отвлекайтесь во время работы, так как это может привести к потере контроля над инструментом.
- **Остерегайтесь незаметных, скрытых и прочих опасностей на месте работ. Не затрагивайте и не повреждайте шнуры, каналы для электропроводки, трубы и шланги, которые могут содержать электрические провода, взрывоопасные газы и вредные жидкости.** Это может привести к поражению электрическим током, пожару или травме.

## Электробезопасность

- **Вилка электроинструмента должна соответствовать розетке. Ни в коем случае не модифицируйте вилку. При работе с заземляемым электроинструментом не используйте какие-либо штепсель-переходники.** Использование немодифицированных вилок и соответствующих розеток уменьшает опасность поражения электрическим током.
- **Не прикасайтесь к заземленным конструкциям, таким как трубы, радиаторы, батареи и холодильники.** Опасность поражения электрическим током возрастает, если тело заземлено.
- **Не оставляйте электроинструмент под дождем и в сырых местах.** При попадании в электроинструмент воды возрастает опасность поражения электрическим током.
- **Оберегайте шнур от повреждений. Никогда не используйте шнур для переноса, вытягивания и отключения электроинструмента от сети.** Не допускайте размещения шнура в местах с высокой температурой, рядом с маслом, острыми поверхностями и движущимися частями. Поврежденный или спутанный шнур увеличивает опасность поражения электрическим током.
- **При использовании электроинструмента вне помещений используйте удлинительный шнур, пригодный для эксплуатации в помещениях.** Применение шнура, пригодного для эксплуатации вне помещений, уменьшает опасность поражения электрическим током.
- **При необходимости работы с электрическим инструментом с сырым местом используйте источник питания с устройством дифференциальной защиты (RCD).** Использование устройства RCD снижает риск поражения электрическим током.
- **Подключайте изделие только к розетке с требуемым напряжением.** Подключение изделия к источнику питания с другим напряжением может вызвать поражение электрическим током, пожар или ненормальную работу изделия и привести к травме.
- **Убедитесь в том, что все электрические шнуры и кабели имеют правильные размеры и что все штепсели и соединители плотно закреплены.** Провода недостаточного размера и разболтанные соединители могут вызвать поражение электрическим током или пожар и стать причиной травмы.

## Личная Безопасность

- **При работе с электроинструментом будьте внимательны, не теряйте контроль над операциями и следуйте здравому смыслу. Не используйте электроинструмент, если вы устали или находитесь под воздействием наркотиков, алкоголя или медицинских препаратов.** Потеря внимания на короткое время при работе с электроинструментом может привести к серьезной травме.
- **Используйте оборудование, обеспечивающее безопасность работ. Всегда носите средства защиты глаз.** Использование в соответствующих условиях защитного оборудования, такого как противопылевая респиратор, нескользкие защитные ботинки, шлем и средства защиты органов слуха, уменьшает вероятность получения травм.
- **Не допускайте случайного пуска. Перед подсоединением к сети электропитания убедитесь, что выключатель выключен.** Перенос электроинструмента с пальцем на выключателе, а также подсоединение к сети электропитания электроинструмента, выключатель которого включен, повышает вероятность несчастных случаев.
- **Прежде чем включать электроинструмент, удалите регулировочный клин и гаечный ключ.** Регулировочный клин или гаечный ключ, оставленный на вращающейся части электроинструмента, может стать причиной травмы.
- **Не допускайте перегрузки. Постоянно сохраняйте опору и равновесие.** Это способствует лучшему контролю над инструментом в неожиданных ситуациях.
- **Одевайтесь правильно. Не надевайте свободную одежду и украшения. Воздержитесь от ношения длинных волос. Не допускайте приближения к движущимся частям волос, одежды и перчаток.** Свободная одежда, украшения и длинные волосы могут быть захвачены движущимися частями.
- **Если имеются приспособления для подсоединения к пылеулавливающим и собирающим системам, убедитесь, что они подключены и используются правильно.** Использование этих приспособлений позволяет уменьшить опасности пылевого воздействия.
- **Используйте зажимы или другие средства для крепления и поддержки обрабатываемой детали на устойчивой поверхности.** Удерживая деталь рукой или прижимая ее к телу, вы можете потерять над ней контроль.
- **Не допускайте попадания на тело и не вдыхайте вредную пыль и частицы, образующиеся при использовании электроинструмента.**
  - Некоторые виды пыли, образующиеся при механической шлифовке, пилении, зачистке, сверлении и других строительных работах, содержат химические вещества, которые могут вызывать рак, врожденные пороки развития и другие заболевания репродуктивной системы. Некоторые примеры таких химических веществ:
    - свинец из красок на свинцовой основе,
    - кристаллический диоксид кремния из кирпичей, цемента и других материалов для каменной кладки,
    - мышьяк и хром из химически обработанных пиломатериалов.

- Опасность воздействия таких веществ зависит от того, как часто выполняется этот вид работ. Для уменьшения воздействия этих химических веществ: работайте в хорошо проветриваемом месте и используйте рекомендованное защитное снаряжение, например, противопылевые респираторы, специально предназначенные для фильтрации микроскопических частиц.
- **Прекратите работу с инструментом, если вы испытываете неудобство, покалывание или боль.** Вибрация, однообразные движения и неудобное положение могут вызвать заболевания рук. Электроинструменты могут вибрировать во время работы. Прежде чем продолжить работу, посоветуйтесь с врачом.
- **Уровень вибрации во время фактического использования инструмента может отличаться от заявленного значения, в зависимости от способа использования инструмента.** Примите необходимые меры предосторожности для защиты оператора, основываясь на оценке воздействия при использовании.
- **Не прикасайтесь к движущимся частям инструмента.** Инструмент и/или вспомогательные принадлежности могут некоторое время продолжать движение после отключения электропитания, что создает опасность защемления или другой травмы.

## Использование и Обслуживание Электроинструмента

- **Не прикладывайте к электроинструменту излишних усилий. Используйте электроинструмент по назначению.** С помощью правильно выбранного электроинструмента работу можно выполнить быстрее и безопаснее, используя его при номинальных нагрузках.
- **Не используйте электроинструмент, если выключатель не включается или не выключается.** Любой электроинструмент, выключатель которого не работает, опасен и должен быть отремонтирован.
- **Перед выполнением любых регулировок, заменой принадлежностей и размещением электроинструмента на хранение отсоедините вилку от источника питания.** Эти профилактические меры техники безопасности уменьшают риск случайного включения инструмента.
- **Храните электроинструмент в местах, недоступных для детей, и не допускайте эксплуатации электроинструмента лицами, которые не умеют с ним обращаться или не изучили данные инструкции.** В руках неопытных пользователей инструменты могут представлять опасность.
- **Выполняйте обслуживание электроинструмента. Проверяйте движущиеся части на наличие несоосности или заклинивания, помойки деталей, а также любых других условий, способных повлиять на работу инструмента. Если электроинструмент поврежден, отремонтируйте его, прежде чем продолжить эксплуатацию.** Неисправные электроинструменты часто служат причиной несчастных случаев.
- **Следите за тем, чтобы режущие части были острыми и чистыми. Инструменты с острыми режущими краями, обслуживание которых выполняется надлежащим образом, реже заклиниваются, и с ними проще работать.** Рукоятки всегда должны быть сухими и чистыми, чтобы сохранять контроль над инструментом.
- **Используйте электроинструмент, вспомогательные принадлежности, наконечники и т.д. в соответствии с данными инструкциями и способом, предусмотренным для инструмента данного типа, учитывая условия и вид работы.** Выполнение с помощью электроинструмента работ, отличных от тех, для которых он предназначен, может создать опасную ситуацию.
- **Если вы работаете в перчатках, обязательно убедитесь в том, что они не будут мешать отключению механизма привода инструмента.** Это может привести к травме.
- **Не удаляйте какие-либо этикетки. Заменяйте все поврежденные этикетки.** Этикетки содержат сведения, необходимые для безопасной эксплуатации изделия.

## Использование с аккумулятором и обслуживанию

- **Выполняйте перезарядку только с помощью зарядного устройства, рекомендованного изготовителем.** Зарядное устройство, пригодное для батарей одного типа, может создать опасность пожара при использовании с батареями другого типа.
- **Используйте электроинструмент только со специально предназначенной для него аккумуляторной батареей.** Использование любых других аккумуляторных батарей может создать опасность травм и пожара.
- **Когда аккумуляторная батарея не используется, храните ее вдали от других металлических предметов, таких как скрепки, монеты, ключи, гвозди, винты и прочие мелкие металлические объекты, которые могут соединить один контакт с другим.** Короткое замыкание контактов батареи может вызвать ожоги или пожар.
- **В аварийной ситуации из батареи может выделяться жидкость; не прикасайтесь к ней. При случайном контакте промойте кожу водой.** Если жидкость попала в глаза, также следует обратиться за медицинской помощью. Жидкость из аккумуляторной батареи может вызвать раздражение и ожоги.
- **Прежде чем вставлять аккумуляторную батарею, убедитесь, что выключатель выключен.** Если вставлять аккумуляторную батарею в электроинструмент с включенным выключателем, это может привести к несчастному случаю.
- **Перед выполнением любых регулировок и заменой принадлежностей отсоедините аккумуляторную батарею от инструмента или заблокируйте переключатель в выключенном положении.** Эти профилактические меры техники безопасности уменьшают риск случайного включения инструмента.
- **Электрические инструменты перегреваются, если они остаются включенными при сильной перегрузке, остановке или прелетствованию свободной работы электромотора.** В таких случаях инструмент следует выключить. Не отключение инструмента от источника питания в такой ситуации может привести к резкому повышению температуры, появлению дыма, возгоранию и – как результат – к травме человека или повреждению имущества.
- **Отсоедините аккумуляторную батарею от инструмента перед размещением инструмента на хранение, укладывая его в ящик или сумку для инструментов.** Случайное включение инструмента во время хранения или перевозки может привести к перегреву инструмента и вызвать целый ряд опасных ситуаций. Бесконтрольная работа инструмента может привести к резкому повышению температуры, к появлению дыма или к пожару.
- **Запрещено перекрывать отверстия в корпусе, через которые поступает охлаждающий воздух, так как это может привести к перегреву инструмента.** Использование инструмента в такой ситуации может привести к повышению температуры, появлению дыма, возгоранию и – как результат – к травме человека или повреждению имущества.
- **Возможен перегрев инструмента при длительном использовании или эксплуатации в тяжелых рабочих условиях. При нагреве какой-либо из деталей инструмента до такой степени, что к ней невозможно прикоснуться, или при обнаружении любых признаков появления из двигателя дыма следует немедленно остановить работу и дать инструменту остыть.** Дальнейшая эксплуатация инструмента в таких условиях приведет к его повреждению, что может повлечь получение травм или нанесение ущерба имуществу в результате нагрева или возгорания.
- **Немедленно остановите работу и замените батарею, которая слишком сильно нагревается при работе, или срок службы которой слишком непродолжителен.** Обычно это батареи, прошедшие большое количество циклов зарядки/разрядки, старые или поврежденные батареи. Дальнейшая эксплуатация неисправной батареи может привести к получению травмы или повреждению имущества в результате нагрева, возгорания или взрыва.
- **Не модифицируйте этот инструмент, устройства безопасности и вспомогательные принадлежности.** Несанкционированные модификации могут привести к поражению электрическим током, пожару или травме.
- **Используйте только вспомогательные принадлежности, рекомендованные Ingersoll Rand для вашей модели.** Принадлежности, пригодные для одного инструмента, могут создать опасную ситуацию при использовании с другим инструментом.
- **Не удаляйте какие-либо этикетки. Заменяйте все поврежденные этикетки.** Этикетки содержат сведения, необходимые для

безопасной эксплуатации изделия.

## Обслуживание

- **Обслуживание электроинструмента должен выполнять только квалифицированный специалист по ремонту при условии использования идентичных запасных частей.** Это гарантирует безопасность эксплуатации электроинструмента.
- **При обслуживании инструмента используйте только подлинные запасные части Ingersoll Rand и следуйте всем инструкциям по обслуживанию.** Использование не рекомендованных запасных частей или невыполнение инструкций по обслуживанию может привести к поражению электрическим током или к травме.
- **Не выбрасывайте батареи в огонь, не сжигайте и не нагревайте их выше 100°C (212°F).** При неправильном обращении батареи могут вызвать тепловой или химический ожог.
- **Утилизируйте и выбрасывайте батареи в соответствии со всеми действующими стандартами и правилами (местными, областными, республиканскими, федеральными и т.д.).** Неправильная утилизация наносит вред окружающей среде.

## ⚠ ПРЕДУПРЕЖДЕНИЕ

### Правила безопасной Эксплуатации Данного Изделия

- **Выполняя работы, при которых режущий инструмент может вступить в контакт со скрытой проводкой, держите его за изолированные части.** При контакте с проводом, находящимся под напряжением, металлические части инструмента также оказываются под напряжением, что может привести к поражению электрическим током.
- **При использовании реверсивных моделей отметьте положение реверсивного механизма до начала эксплуатации.** Знание направления вращения позволяет сохранить контроль на инструментом.
- **Используйте только ударные гнезда и вспомогательные принадлежности. Не используйте ручные (хромовые) гнезда и вспомогательные принадлежности.** Они могут сломаться во время работы и привести к травме.
- **Периодически проверяйте сторону привода инструмента, чтобы убедиться в том, что держатель гнезда функционирует нормально, и что гнезда и стороны привода не изношены.** Любое из этих условий может привести к отрыву гнезд во время вращения.
- **Импульсные гайковерты не являются гайковертами с ограничением по крутящему моменту. Соединения, требующие определенного крутящего момента, после затягивания импульсным гайковертом следует проверять измерителем крутящего момента.** Крепежные детали, затянутые несоответствующим образом, могут ослабнуть и привести к травме.
- **Открытые дроссели нельзя использовать там, где препятствия могут удерживать дроссель в положении "включено".** В этом случае вы не сможете выключить инструмент.
- **Не направляйте луч света в глаза людям и животным.** Яркий свет может повредить глаза.

## Информация по безопасности при: аккумулятор

### Описание изделия

Аккумуляторная батарея представляет собой устройство хранения электроэнергии, используемой как источник питания для беспроводных изделий **Ingersoll Rand**.

## ⚠ ПРЕДУПРЕЖДЕНИЕ

### Общие предупреждения о соблюдении осторожности при работе с аккумуляторными батареями

- **Предупреждение! Прочтите все предупреждения по технике безопасности и все инструкции.** Невыполнение предупреждений и инструкций может привести к поражению электрическим током, пожару и/или причинению тяжелых травм.
- **Сохраните все предупреждения и инструкции для будущего использования в справочных целях.**
- **Вы обязаны предоставить информацию по безопасности всем, кто будет пользоваться этим изделием.** Несоблюдение стандартов и правил может привести к травме.
- **Всегда устанавливайте, эксплуатируйте, проверяйте и обслуживайте это изделие в соответствии с действующими стандартами и правилами (местными, областными, республиканскими, федеральными и т.д.).** Вы несете ответственность за соответствие стандартам. Несоблюдение стандартов и правил может привести к травме.
- Термин «электроинструмент» в предупреждениях относится к электроинструментам, работающим от аккумуляторных батарей (беспроводные).

### Электробезопасность

- **Не подвергайте аккумуляторную батарею воздействию дождя или влаги.** Попашая внутрь батареи или электроинструмента вода повышает риск удара электрическим током.

### Личная безопасность

- **Не модифицируйте это изделие, устройства безопасности или вспомогательные принадлежности.** Несанкционированные изменения могут привести к поражению электрическим током, пожару или травме.

### Техника безопасности при использовании аккумуляторных батарей и электроинструмента

- **Храните неиспользуемые аккумуляторные батареи и электроинструменты подальше от детей и не позволяйте лицам, которые не умеют обращаться с аккумуляторной батареей или электроинструментом либо не ознакомлены с этими инструкциями, использовать аккумуляторную батарею или электроинструмент.** В руках неподготовленных пользователей аккумуляторные батареи и электроинструменты могут стать небезопасными.
- **Используйте аккумуляторную батарею, электроинструмент, принадлежности, резы и т. д. в соответствии с этими инструкциями, принимая во внимание условия эксплуатации и вид выполняемой работы.** Использование аккумуляторной батареи или электроинструмента для выполнения работ, отличных от предназначенных, может привести к опасной ситуации.
- **Выполняйте перезарядку только с помощью зарядного устройства, рекомендованного изготовителем.** Зарядное устройство, подходящее для одного типа аккумуляторных батарей, может стать причиной возникновения пожара, если используется для перезарядки другого типа батарей. Дополнительные меры безопасности при использовании зарядного устройства см. в руководстве по эксплуатации зарядного устройства.
- **Используйте электроинструмент только со специально предназначенными для него аккумуляторными батареями.** Использование аккумуляторных батарей другого типа может стать причиной травмы и возникновения пожара.

- Если батарейный источник питания не используется, держите его в стороне от других металлических объектов, например: скрепок, монет, ключей, гвоздей, винтов или других мелких металлических объектов, которые могут соединить один контакт с другим. Короткое замыкание батареи может вызвать искрение, ожоги или пожар.
- При неправильном использовании из аккумуляторной батареи может выделяться жидкость; не прикасайтесь к ней. При случайном контакте промойте кожу водой. Если жидкость попала в глаза, следует также обратиться за медицинской помощью. Жидкость из аккумуляторной батареи может вызвать раздражение или ожоги.
- Немедленно остановите работу и замените батарею, которая слишком сильно нагревается при работе, или срок службы которой слишком непродолжительный. Обычно это батарея, прошедшая большое количество циклов зарядки/разрядки, старые или поврежденные батареи. Дальнейшая эксплуатация неисправной батареи может привести к получению травмы или повреждению имущества в результате нагрева, возгорания или взрыва.
- Не удаляйте никакие этикетки. Заменяйте поврежденные этикетки. На этикетках сообщаются сведения, необходимые для безопасной эксплуатации изделия.
- Не подвергайте аккумуляторные батареи механическим ударам.
- Если аккумуляторная батарея не используется, не ставьте ее на длительную зарядку.
- Если аккумуляторная батарея не используется, по возможности извлекайте батарею из оборудования.
- Не используйте аккумуляторные батареи с физическими повреждениями.

#### Обслуживание

- Не выбрасывайте батареи в огонь, не сжигайте и не нагревайте их свыше 100°C (212°F). При неправильном обращении батареи могут вызвать тепловой или химический ожог.
- Утилизируйте и выбрасывайте батареи в соответствии со всеми действующими стандартами и правилами (местными, областными, республиканскими, федеральными и т.д.). Неправильная утилизация наносит вред окружающей среде.
- Не открывайте крышку или корпус. Внутри не содержится частей, подлежащих обслуживанию. Это может привести к поражению электрическим током или другой травме.

---

## Информация по безопасности при: Зарядное устройство

### Описание Изделия

Зарядное устройство представляет собой электрический прибор, преобразующий переменный ток в постоянный, используемый для зарядки электрических аккумуляторных батарей.



### Общие правила Безопасной Эксплуатации

- **Внимательно прочитайте все инструкции.** Невыполнение инструкций, перечисленных ниже, может привести к поражению электрическим током, пожару и/или серьезной травме.
- **Вы обязаны предоставить данную информацию по безопасности всем, кто будет пользоваться этим изделием.** Несоблюдение стандартов и правил может привести к травме.
- **Всегда устанавливайте, эксплуатируйте, проверяйте и обслуживайте это изделие в соответствии с действующими стандартами и правилами (местными, областными, республиканскими, федеральными и т.д.).** Вы несете ответственность за соответствие стандартам. Несоблюдение стандартов и правил может привести к травме.
- **Необходимо следить, чтобы дети не пользовались и не играли данным изделием.**
- **Это изделие не предназначено для использования лицами с ограниченными физическими, сенсорными или умственными способностями либо недостаточным опытом или знаниями без присмотра или руководства в отношении его эксплуатации, осуществляемых отвечающим за безопасность указанных лиц человеком.**

### Безопасность рабочей области

- **Не пользуйтесь зарядным устройством во взрывоопасной атмосфере (например, вблизи горючих жидкостей, газов или пыли).** От зарядного устройства летят искры, которые могут привести к возгоранию пыли или испарений.

### Электробезопасность

- **Устройства с двойной изоляцией снабжены поляризованной вилкой (один штырь шире другого.)** Данную вилку можно вставить в поляризованную розетку только в одном положении. Если вилка не входит в розетку полностью, измените ее положение на противоположное. Если она не входит и в другом положении, обратитесь к квалифицированному электрику для установки поляризованной розетки. Ни в коем случае не модифицируйте вилку. Двойная изоляция устраняет необходимость использования трехжильного сетевого шнура с заземлением и заземленной системы электропитания.
- **Оберегайте шнур от повреждений. Никогда не используйте шнур для переноса, вытягивания и отключения электроинструмента от сети.** Не допускайте размещения шнура в местах с высокой температурой, рядом с маслом, острыми поверхностями и движущимися частями. Поврежденный или спутанный шнур увеличивает опасность поражения электрическим током.
- **Изделие, работающее от батарей (с встроенными батареями или отдельным батарейным источником питания) необходимо перезаряжать только с помощью зарядного устройства, предназначенного для данной батареи.** Зарядное устройство, пригодное для батарей одного типа, может создать опасность пожара при использовании с батареями другого типа.
- **Зарядное устройство предназначено только для использования в помещениях. Не оставляйте зарядное устройство под дождем.** Не используйте зарядное устройство во влажных и сырых местах. Это может привести к поражению электрическим током или другой травме.
- **Подключайте устройство только к розетке с требуемым напряжением.** Подключение устройства к источнику питания с другим напряжением может вызвать поражение электрическим током, пожар, ненормальную работу устройства и привести к травме.
- **Не прикасайтесь к контактам зарядного устройства пальцами, проводами и другими токопроводящими материалами.** Подсоединяйте его только к батарее, одобренной Ingersoll Rand. Это может привести к поражению электрическим током или другой травме.
- **Не пытайтесь перезаряжать батареи, не допускающие перезарядки.** Это может привести к поражению электрическим током, пожару или травме.

### Личная Безопасность

- **Не модифицируйте это изделие, устройства безопасности и вспомогательные принадлежности.** Несанкционированные модификации могут привести к поражению электрическим током, пожару или травме.
- **Не используйте это изделие ни в каких целях, кроме рекомендованных.** Это может привести к поражению электрическим током, пожару или другой травме.
- **Прежде чем подключать зарядное устройство к источнику питания, установите его в устойчивом положении. Храните зарядное устройство в местах, не доступных для детей.** Неправильное размещение устройства или его использование детьми может привести к поражению электрическим током, пожару или травме.

### Использование и Обслуживание

- **Никогда не используйте поврежденное или неисправное зарядное устройство. Немедленно отключите зарядное устройство и отремонтируйте его или замените.** Дальнейшая его эксплуатация может привести к поражению электрическим током, пожару или травме.
- **Не удаляйте какие-либо этикетки. Заменяйте все поврежденные этикетки.** Этикетки содержат сведения, необходимые для безопасной эксплуатации изделия.

### Обслуживание

- **Обслуживание должно выполняться только сервисным центром, уполномоченным Ingersoll Rand, или специалистами по ремонту, имеющими аналогичную квалификацию.** Обслуживание, выполняемое неквалифицированными специалистами, может привести к травме.
- **Не открывайте крышку или корпус. Внутри не содержится частей, подлежащих обслуживанию.** Это может привести к поражению электрическим током или другой травме.
- **Если шнур питания поврежден, он должен быть заменен в сервисном центре, уполномоченном Ingersoll Rand, или специалистами по ремонту, имеющими аналогичную квалификацию.** При поврежденном или неправильно установленном шнуре возрастает опасность поражения электрическим током.

### ПРИМЕЧАНИЕ

За информацией по безопасности для конкретной модели обратитесь к руководству по изделию.

### Определения Символов Безопасности



Опасность взрыва.  
Выполняйте все необходимые процедуры техники безопасности.



Носите защиту для глаз



Носите защиту для ушей



Перед началом эксплуатации изделия прочитайте соответствующие руководства



(Рис. 16589525)

### Информация по безопасности – Объяснение Предупреждающих Слов

**ОПАСНОСТЬ**

Указывает на ситуацию, представляющую реальную опасность. Ее игнорирование приведет к смерти или серьезным травмам.

**ПРЕДУПРЕЖДЕНИЕ**

Указывает на потенциально опасную ситуацию. Ее игнорирование может привести к смерти или серьезным травмам.

**ОСТОРОЖНО**

Указывает на потенциально опасную ситуацию. Ее игнорирование может привести к мелким травмам или травмам средней степени тяжести, а также к повреждению имущества.

**ПРИМЕЧАНИЕ**

Указывает на информацию или политику компании, которая прямо или косвенно относится к безопасности персонала или к защите имущества.

### Информация о Запасных Частях Изделия

### ОСТОРОЖНО

Использование запасных частей, отличных от подлинных запасных частей Ingersoll Rand, может привести к опасным ситуациям, снижению производительности инструмента и увеличению времени ремонта, а также к потере всех гарантий.

Ремонт должны выполнять только уполномоченные квалифицированные техники. Проконсультируйтесь в ближайшем авторизованном сервисном центре Ingersoll Rand.

Оригинальным языком инструкций является английский. Версии на другие языки являются переводом оригинальных инструкций. Руководства можно загрузить с веб-сайта [ingersollrandproducts.com](http://ingersollrandproducts.com).

Все сообщения следует направлять в ближайший офис Ingersoll Rand или дистрибьютору.

## Opis proizvoda

Akumulatorski udarni zatezač je prenosivi alat s pogonom na bateriju koji koristi kružne udare za zatezanje ili otpuštanje spojnih elemenata s navojem preko posebno kaljenih uklonjivih spojnica.

## UPOZORENJE

### Opća pravila sigurnosti

- **Upozorenje!** Pročitajte sva sigurnosna upozorenja i sve upute. Nepoštivanje sigurnosnih upozorenja i uputa može dovesti do električnog udara, požara i/ili ozbiljne ozljede. Spremite sva upozorenja i upute za buduću upotrebu. Izraz "električni alat" u svim upozorenjima navedenih u nastavku odnosi se na mrežu upravlja (zabilježena) električni alat ili na baterije (bežični) električni alat.
- **Vi ste odgovorni za to da ova sigurnosna informacija bude na raspolaganju drugima koji će raditi s ovim proizvodom.** Nepoštivanje standarda i propisa može izazvati tjelesnu ozljedu.
- **Uvijek instalirajte, radite, pregledajte i održavajte ovaj proizvod u skladu s važećim standardima i propisima (općinskim, županijskim, državnim itd.) Poštivanje propisa je vaša odgovornost.** Nepoštivanje standarda i propisa može izazvati tjelesnu ozljedu.

### Sigurnost radnog prostora

- **Održavajte svoj radni prostor čistim i dobro osvijetljenim. Zakrčeni radni stolovi i mračna područja plodno su tlo za nesretne slučaje.**
- **Nemojte koristiti alate s pogonom u eksplozivnim atmosferama, primjerice u prisutstvu zapaljivih tekućina, plinova ili prašine.** Alati s pogonom stvaraju iskre koje mogu upaliti prašinu ili isparenja.
- **Držite djecu i slučajne promatrače podalje za vrijeme rada s alatom s pogonom. Odvlačenje pozornosti može izazvati gubitak nadzora.**
- **Pripazite na podzemne, skrivene ili druge rizike u vašoj radnoj okolini. Nemojte dirati ili oštećivati kabele, vodove, cijevi ili crijeva koje mogu sadržavati električne žice, eksplozivne plinove ili štetne tekućine.** Mogli biste se ozlijediti, pretrpjeti strujni udar ili izazvati požar.

### Sigurnost pri radu s električnom energijom

- **Utikači električnog alata moraju odgovarati utičnici. Nemojte nikada modificirati utikač na bilo koji način. Nemojte koristiti nikakve adapter utikače zajedno s električnim alatima s uzemljenjem.** Nemođificirani utikači i odgovarajuće utičnice smanjuju rizik od strujnog udara.
- **Izbjegavajte kontakt tijelom s uzemljenim površinama kao što su cijevi, radijatori, peći i hladnjaci.** Ako ste u dodiru s uzemljenjem, povećava se rizik od strujnog udara.
- **Nemojte izlagati električne alate kiši ili mokrim uvjetima.** Ulazak vode u električni alat povećava rizik od strujnog udara.
- **Nemojte loše postupati s kabelom. Nemojte nikada koristiti kabel za nošenje, povlačenje ili isključivanje utikača električnog alata. Kabel držite podalje od visokih temperatura, ulja, oštih rubova ili pokretnih dijelova. Oštećeni ili zamršeni kabeli povećavaju rizik od strujnog udara.**
- **Kad vani radite s električnim alatom, koristite produžni kabel prikladan za vanjsku upotrebu.** Korištenje kabela prikladnog za vanjsku upotrebu smanjuje rizik od strujnog udara.
- **Ako ne možete izbjeći rad s električnim alatom na vlažnom mjestu, koristite napajanje s RCD (uređaj diferencijalne struje) zaštitnom sklopkom.** Korištenje RCD zaštitne sklopke smanjuje rizik od strujnog udara.
- **Uvijek koristite propisani napon napajanja.** Neodgovarajući napon može izazvati električni udar, požar, nepravilan rad i može rezultirati ozljedama.
- **Uvjerite se da su sve žice i kabeli odgovarajuće duljine te svi priključci i konektori čvrsto osigurani.** Prekratka žica i slab spoj mogu uzrokovati električni udar, požar i mogu rezultirati tjelesnim ozljedama.

### Osobna sigurnost

- **Budite na oprezu, pazite što radite i koristite zdrav razum kad radite s alatom s pogonom. Nemojte koristiti alat s pogonom kad ste umorni ili dok ste pod utjecajem droga, alkohola ili lijekova.** Trenutak nepažnje može rezultirati ozbiljnim tjelesnim ozljedama.
- **Koristite zaštitnu opremu. Uvijek nosite zaštitu za oči.** Zaštitna oprema poput maske protiv prašine, radne obuće sa zaštitom protiv klizanja, kacige ili zaštite za uši, koja se koristi za odgovarajuće uvjete, smanjuje tjelesne ozljede.
- **Izbjegavajte slučajna pokretanja.** Pobrinite se da je prekidač u položaju isključeno prije priključivanja alata u utičnicu. **Nošenje alata s prstom na prekidaču ili priključivanje električnog alata s prekidačem u položaju uključeno plodno su tlo za nesretne slučajeve.**
- **Prije uključivanja električnog alata uklonite ključ za podešavanja ili ključ za zatezanje.** Ostavljeni ključ za podešavanje ili ključ za zatezanje na rotirajućem dijelu električnog alata može izazvati tjelesnu ozljedu.
- **Nemojte pretjerivati dok koristite električni alat. Uvijek održavajte odgovarajuće uporište i ravnotežu.** To vam omogućuje bolji nadzor nad električnim alatom u neočekivanim situacijama.
- **Pravilno se odjenite. Nemojte nositi široku odjeću ili nakit. Skupite dugu kosu. Držite svoju kosu, odjeću i rukavice podalje od pokretnih dijelova.** Široka odjeća, nakit ili duga kosa mogu se uhvatiti u pokretne dijelove.
- **Ako su uređaji namijenjeni za spajanje na postrojenja za prikupljanje i ekstrakciju prašine, pobrinite se da su spojeni i da se koriste na odgovarajući način.** Korištenje tih uređaja može smanjiti rizike vezane uz prašinu.
- **Koristite stege ili druge praktične načine da osigurate i poduprete komad na stabilnoj platformi, Držanje komada rukom ili uz tijelo je nestabilno i može dovesti do gubitka nadzora.**
- **Spriječite izlaganje i udisanje štetne prašine i čestica koje stvara korištenje alata s pogonom.**
  - Prašina koju stvaraju brušenje, pilanje, drobljenje, bušenje i druge graditeljske aktivnosti sadrži kemikalije za koje se zna da izazivaju rak, urođene anomalije i druga reproduktivna oštećenja. Evo nekoliko primjera tih kemikalija:
    - olovo iz boja na bazi olova,
    - kristalni silicij iz cigli i cementa i drugih proizvoda za zidanje i
    - arsen i krom iz građe tretirane kemikalijama.
  - Rizik od ovih izlaganja razlikuje se ovisno o tome koliko često radite tu vrstu posla. Kako biste smanjili izloženost ovim kemikalijama: radite u dobro prozračenom području i radite s odobrenom zaštitnom opremom kao što su maske za zaštitu od prašine posebnog dizajna za pročišćavanje mikroskopskih čestica.
- **Prestanite koristiti alate ako osjetite nelagodnu, zujanje ili bol.** Vibracije, opetovani pokreti i neudobni položaji mogu naškoditi vašim šakama i rukama. Pri korištenju alata s pogonom moguće su vibracije. Prije nego što nastavite s korištenjem potražite medicinski savjet.
- **Emitiranje vibracija tijekom stvarne upotrebe alata s pogonom može se razlikovati od vrijednosti na deklaraciji ovisno o načinima na koje se alat koristi.** Poduzmite odgovarajuće mjere sigurnosti za zaštitu operatera koje se zasnivaju na procjeni izlaganja tijekom stvarne upotrebe.
- **Izbjegavajte kontakt s pokretnim dijelovima alata.** Alat i/ili dodatci mogu se nakratko nastaviti kretati nakon isključivanja napajanje stvarajući rizik od zapetljavanja ili neke druge tjelesne ozljede.

## Korištenje električnog alata i održavanje

- **Ne primjenjujte silu** prilikom korištenja električnog alata. Koristite električni alat koji odgovara vašoj primjeni. Odgovarajući električni alat bolje i sigurnije obavlja posao pri brzini za koju je dizajniran.
- **Nemojte koristiti električni alat ako se ne može uključiti ili isključiti pomoću prekidača.** Bilo koji električni alat koji se ne može nadzirati putem prekidača opasan je i mora se popraviti.
- **Isključite utikač iz izvora napajanja prije podešavanja, promjene podataka ili pohranjivanja električnog alata.** Takve preventivne sigurnosne mjere smanjuju rizik od slučajnog uključivanja alata.
- **Pohranite alat u praznom hodu izvan dosega djece i nemojte dopustiti da osobe koje nisu upoznate s električnim alatom ili ovim uputama rade s električnim alatom.** Alat je opasan u rukama korisnika koji nisu prošli obuku.
- **Provjeravajte električni alat i tražite iskrivljene ili savijene pokretne dijelove, polomljene dijelove i bilo koja druga stanja koja mogu utjecati na rad električnog alata.** Ako je oštećen, servisirajte električni alat prije ponovne upotrebe. Mnogi nesretni slučajevi izazvani su lošim održavanjem električnog alata.
- **Rezni alat održavajte naoštrenim i čistim.** Alati s oštricama koji se održavaju na odgovarajući način manje su podložni savijanju i lakši su za upravljanje. Za dobru upravljivost ručke držite čistima i suhima.
- **Koristite električni alat, dodatke, bitove itd. u skladu s ovim uputama i na način primjeren određenoj vrsti električnog alata, uzimajući u obzir radne uvjete na poslu.** Korištenje električnog alata u druge svrhe koje se razlikuju od namjene moglo bi rezultirati rizičnim situacijama.
- **Kad nosite rukavice uvijek se pobrinite da vam neće smetati u otpuštanju mehanizma regulatora.** Može doći do tjelesne ozljede.
- **Nemojte uklanjati naljepnice.** Zamijenite oštećenje naljepnice. Naljepnice sadrže informacije potrebne za sigurno korištenje proizvoda.

## Uporaba baterije i održavanje

- **Punite samo punjačem koji je odredio proizvođač.** Punjač koji je prikladan za jednu vrstu baterije može izazvati požar kad se koristi s drugom.
- **Uz električni alat koristite samo posebno dizajnirani akumulator.** Korištenje bilo kojeg drugog akumulatora može stvoriti rizik od požara ili ozljede.
- **Kad se akumulator ne koristi, držite ga podalje od drugih metalnih predmeta kao što su: spajalice za papir, metalni novac, ključevi, čavli, vijci ili drugi mali metalni predmeti koji mogu izazvati spoj na priključcima.** Kratki spoj na priključcima baterije može izazvati opekline ili požar.
- **U slučaju zloupotrebe iz baterije može iscuriti tekućina; izbjegavajte kontakt.** Ako slučajno dođe do kontakta, isperite vodom. Ako tekućina dospije i u oči, potražite medicinsku pomoć. Tekućina koja curi iz baterije može izazvati nadražaj ili opekline.
- **Pobrinite se da je prekidač u položaju isključeno kad umećete akumulator.** Umetanje akumulatora u električni alat s prekidačem u položaju uključeno plodno je tlo za nesretne slučajeve.
- **Odvodite akumulator od alata ili postavite prekidač u zaključani položaj isključeno prije bilo kakvih podešavanja ili promjene podataka.** Takve preventivne mjere sigurnosti smanjuju rizik od slučajnog uključivanja alata.
- **Električni alat se pregrijava ako ostane u položaju uključeno kad je motor pod velikim opterećenjem, naglo zaustavljen ili se ne rotira iz bilo kojeg drugog razloga. Kad se ovo dogodi, isključite alat.** Ako nastavite napajati alat u ovome stanju, to može izazvati visoku temperaturu, dim ili požar s ozljedama ili oštećenjem imovine.
- **Odvodite akumulator od alata prije pohrane ili odlaganja u kutiju s alatom ili kofer.** Slučajno pokretanje tijekom pohrane ili prijevoza može izazvati pojavu nekoliko rizičnih stanja uključujući i pregrijavanje. Rad alata bez nadzora može izazvati različite rizične situacije uključujući pojavu visoke temperature, dima ili požara.
- **Nemojte blokirati zračne otvore za hlađenje na kućištu, jer to može izazvati pregrijavanje alata.** Korištenje alata u ovome stanju može izazvati visoke temperature, dim ili požar s ozljedama ili oštećenjem imovine.
- **Alat se može pregrijeti tijekom neprekidnog korištenja ili drugih teških radnih ciklusa. Odmah zaustavite rad i dopustite da se alat ohladi ako se bilo koji dio alata toliko zagrije da ga ne možete dodirnuti ili ako se pojavi dim iz motora.** Ako nastavite koristiti alat u ovome stanju, to će izazvati oštećenje alata i može rezultirati ozljedom ili oštećenjem imovine uslijed visoke temperature ili požara.
- **Odmah zaustavite korištenje i zamijenite bateriju koja se pretjerano zagrijava tijekom upotrebe ili nudi kratko vrijeme upotrebe.** Takve baterije obično imaju veliki broj ciklusa punjenja/praznjenja, mogu biti stare ili oštećene. Ako nastavite koristiti oštećenu bateriju, to može rezultirati ozljedom ili oštećenjem imovine uslijed visoke temperature, požara ili eksplozije.
- **Nemojte modificirati ovaj alat, zaštitne uređaje ili dodatke.** Neovlaštene modifikacije mogu izazvati strujni udar, požar ili tjelesnu ozljedu.
- **Koristite samo one dodatke koje za vaš model preporučuje Ingersoll Rand.** Dodaci koji odgovaraju jednom alatu mogu postati opasni kad se koriste na drugome.
- **Nemojte uklanjati naljepnice.** Zamijenite oštećenje naljepnice. Naljepnice sadrže informacije potrebne za sigurno korištenje proizvoda.

## Servis

- **Neka vaš električni alat servisira kvalificirani serviser koristeći samo identične zamjenske dijelove.** To će osigurati nastavak sigurnog rada vašeg alata.
- **Kad servisirate alat koristite samo originalne zamjenske dijelove proizvođača Ingersoll Rand i pridržavajte se svih uputa za održavanje.** Korištenje nedopuštenih dijelova ili nepridržavanje uputa za održavanje može stvoriti rizik od strujnog udara ili ozljede.
- **Nemojte bacati bateriju u vatru, paliti ili zagrijevati na temperaturu iznad 100 °C (212 °F).** Ako se prema njima loše ponaša, baterije nose rizik od požara ili kemijskih opekline.
- **Odgovorno reciklirajte ili odložite baterije u skladu s važećim standardima i propisima (lokalnim, županijskim, državnim itd.)** Nepravilno odlaganje može ugroziti okoliš.

## UPOZORENJE

### Pravila sigurnosti isključivo za ovaj proizvod

- **Držite alat za prihvatnu površinu s izolacijom pri izvođenju operacija kad rezni alat može doći u kontakt sa skrivenim ožičenjem.** Kontakt sa žicom pod naponom izložit će naponu i metalne dijelove alata te će operater doživjeti strujni udar.
- **Kod reverzibilnih modela zabilježite položaj povratnog mehanizma prije početka rada.** Ako znate smjer rotacije lakše ćete održavati kontrolu nad alatom.
- **Koristite samo udarne spojnice i dodatke.** Nemojte koristiti ručne (kromirane) spojnice ili dodatke. Mogle bi se tijekom korištenja alata slomiti i izazvati ozljedu.
- **Periodično provjerite kraj pogona alata kako biste bili sigurni da osigurač spojnice ispravno radi te da spojnice i krajevi pogona nisu previše istrošeni.** Oba stanja mogu izazvati otpadanje spojnice pri rotaciji.

- **Udarni zatezači nisu moment ključevi.** Nakon montaže pomoću udarnog zatezača spojevi koji zahtijevaju određeni moment moraju se provjeriti mjeračem okretnog momenta. Spojni elementi zategnuti na neodgovarajući okretni moment mogu se otpustiti i izazvati ozljedu.
- **Izloženi regulatori ne smiju se koristiti tamo gdje prepreke mogu zadržati regulator u položaju "on" (uključeno).** Možda nećete biti u stanju isključiti alat.
- **Ne usmjeravajte zraku u oči osobe ili životinje.** Blještavo svjetlo može prouzrokovati ozljedu očiju.

---

## Informacije o sigurnosti proizvoda Baterija

### Opis proizvoda

Baterija je uređaj za pohranjivanje električne energije koji se koristi kao izvor napajanja za akumulatorske proizvode proizvođača **Ingersoll Rand**.

---

### UPOZORENJE

#### Opća upozorenja o sigurnosti baterije

- **Upozorenje!** Pročitajte sva upozorenja o sigurnosti i sve upute. Nepoštivanje upozorenja i uputa može rezultirati strujnim udarom, požarom i/ili ozbiljnom ozljedom.
- **Sačuvajte sva upozorenja i upute za buduću upotrebu.**
- **Vi ste odgovorni za to da ova sigurnosna informacija bude na raspolaganju drugima koji će raditi s ovim proizvodom.** Nepoštivanje standarda i propisa može izazvati tjelesnu ozljedu.
- **Uvijek instalirajte, radite, pregledajte i održavajte ovaj proizvod u skladu s važećim standardima i propisima (općinskim, županijskim, državnim itd.).** Nepoštivanje standarda i propisa može izazvati tjelesnu ozljedu.
- Pojam "električni alat" u ovim upozorenjima odnosi se na vaš alat s pogonom na bateriju (akumulatorski).

#### Sigurnost pri radu s električnom energijom

- **Nemojte baterije izlagati kiši ili mokrim uvjetima. Ulazak vode u bateriju ili električni alat povećava rizik od strujnog udara.**

#### Osobna sigurnost

- **Nemojte modificirati proizvod, zaštitne uređaje ili dodatke. Neovlaštene modifikacije mogu izazvati strujni udar, požar ili tjelesnu ozljedu.**

#### Korištenje baterije i električnog alata i održavanje

- **Pohranite alat i bateriju u praznom hodu izvan doseg djece i nemojte dopustiti da osobe koje nisu upoznate s baterijom, električnim alatom ili ovim uputama rade s baterijom ili električnim alatom.** Baterija i električni alat opasni su u rukama korisnika koji nisu prošli obuku.
- **Koristite bateriju, električni alat, dodatke, bitove itd. u skladu s ovim uputama, uzimajući u obzir radne uvjete i posao koji treba obaviti.** Korištenje baterije ili električnog alata u druge svrhe koje se razlikuju od namjene moglo bi rezultirati rizičnim situacijama.
- **Punite samo punjačem koji je odredio proizvođač.** Punjač koji je prikladan za jednu vrstu akumulatora može izazvati požar kad se koristi s drugom. Pročitajte Informativni priručnik za punjač kako biste saznali dodatna posebna upozorenja za punjač.
- **Uz električni alat koristite samo posebno dizajnirani akumulator.** Korištenje bilo kojeg drugog akumulatora može izazvati požar ili ozljedu.
- **Kad se akumulator ne koristi, držite ga podalje od drugih metalnih predmeta kao što su: spajalice za papir, metalni novac, ključevi, čavli, vijci ili drugi mali metalni predmeti koji mogu izazvati spoj na priključcima.** Kratki spoj na priključcima baterije može izazvati opeklinae ili požar.
- **U slučaju zloupotrebe iz baterije može iscuriti tekućina; izbjegavajte kontakt. Ako slučajno dođe do kontakta, isperite vodom. Ako tekućina dospije u oči, dodatno potražite medicinsku pomoć.** Tekućina koja curi iz baterije može izazvati nadražaj ili opeklinae.
- **Odmah zaustavite korištenje i zamijenite bateriju koja se pretjerano zagrijava tijekom upotrebe ili nudi kratko vrijeme upotrebe.** Takve baterije obično imaju veliki broj ciklusa punjenja/pražnjenja, mogu biti stare ili oštećene. Ako nastavite koristiti oštećenu bateriju, to može rezultirati ozljedom ili oštećenjem imovine uslijed visoke temperature, požara ili eksplozije.
- **Nemojte uklanjati naljepnice. Zamijenite oštećenje naljepnice.** Naljepnice sadrže informacije potrebne za sigurno korištenje proizvoda.
- **Nemojte izlagati baterije mehaničkom udaru.**
- **Nemojte ostaviti bateriju predugo na punjenju kad se ne koristi.**
- **Kad je to moguće, odvojite bateriju od opreme kad se ne koristi.**
- **Nemojte koristiti baterije koje su fizički oštećene.**

#### Servis

- **Nemojte bacati baterije u vatru, paliti ili zagrijavati na temperaturu iznad 100 °C (212 °F).** Ako se prema njima loše postupa, baterije predstavljaju rizik od požara ili kemijskih opeklina.
- **Odgovorno reciklirajte ili odložite baterije u skladu s važećim standardima i propisima (lokalnim, županijskim, državnim itd.)** Nepravilno odlaganje može ugroziti okoliš.
- **Nemojte otvarati poklopac ili kućište. Unutra nema dijelova koje može servisirati korisnik.** Mogli biste se na razne načine ozlijediti ili pretrpjeti strujni udar.

## Informacije o sigurnosti proizvoda: Punjač

### Opis proizvoda

Punjač baterija je električni uređaj koji pretvara izmjeničnu struju u istosmjernu koja se koristi za punjenje baterija za pohranu električne energije.

### **UPOZORENJE**

#### Opća pravila sigurnosti

- Pročitajte i shvatite sve upute. Nepoštivanje dolje navedenih uputa može rezultirati strujnim udarom, požarom i/ili ozbiljnom ozljedom.
- Vi ste odgovorni za to da ova sigurnosna informacija bude na raspolaganju drugima koji će raditi s ovim proizvodom. Nepoštivanje standarda i propisa može izazvati tjelesnu ozljedu.
- Uvijek instalirajte, radite, pregledajte i održavajte ovaj proizvod u skladu s važećim standardima i propisima (općinskim, županijskim, državnim itd.) Poštivanje propisa je vaša odgovornost. Nepoštivanje standarda i propisa može izazvati tjelesnu ozljedu.
- Djeca moraju biti pod nadzorom kako biste bili sigurni da se ne igraju s ovim proizvodom.
- Ovaj proizvod nije namijenjen za korištenje osobama sa smanjenim fizičkim, osjetilnim ili mentalnim sposobnostima ili osobama bez iskustva i znanja, osim ako su pod nadzorom ili su primili upute u vezi korištenja aparata od osobe koja je odgovorna za njihovu sigurnost.

#### Sigurnost radnog prostora

- Nemojte koristiti punjač baterija u eksplozivnim atmosferama, primjerice u prisustvu zapaljivih tekućina, plinova ili prašine. Punjač baterija stvara iskre koje mogu upaliti prašinu ili isparenja.

#### Sigurnost pri radu s električnom energijom

- Dvostruka izolacija eliminira potrebu za trožilnim uzemljenim električnim kabelom i uzemljenim sustavom napajanja.
- Nemojte loše postupati s kabelom. Nemojte nikada koristiti kabel za nošenje, povlačenje ili isključivanje utikača električnog alata. Kabel držite dalje od visokih temperatura, ulja, oštih rubova ili pokretnih dijelova. Oštećeni ili zamršeni kabeli povećavaju rizik od strujnog udara.
- Proizvodi na baterije s integralnim baterijama ili odvojenim akumulatorom moraju se puniti samo pomoću određenog punjača baterije. Punjač koji je prikladan za jednu vrstu baterije može izazvati požar kad se koristi s drugom.
- Punjač je samo za unutrašnju upotrebu. Nemojte punjač izlagati kiši. Nemojte koristiti punjač na vlažnim ili mokrim mjestima. Mogli biste se na razne načine ozlijediti ili pretrpjeti strujni udar.
- Uvijek koristite navedeni mrežni napon. Neispravn napon može izazvati strujni udar, požar, neobičajeni rad i može rezultirati tjelesnom ozljedom.
- Izbjegavajte dodirivati priključke za punjenje baterije prstima, žicom ili drugim provodljivim materijalima. Spojite samo s baterijom koju je odobrio Ingersoll Rand. Mogli biste se na razne načine ozlijediti ili pretrpjeti strujni udar.
- Nemojte pokušavati puniti jednokratne baterije. Mogli biste se ozlijediti, pretrpjeti strujni udar ili izazvati požar.

#### Osobna sigurnost

- Nemojte modificirati proizvod, zaštitne uređaje ili dodatke. Neovlaštene modifikacije mogu izazvati strujni udar, požar ili tjelesnu ozljedu.
- Nemojte koristiti ovaj proizvod u druge svrhe osim onih koje su preporučene. Mogli biste se ozlijediti, pretrpjeti strujni udar ili izazvati požar.
- Namjestite punjač u stabilni položaj prije priključivanja u izvor napajanja. Držite punjač izvan dohvata djece. Neodgovarajući položaj ili ako punjač koriste djeca može rezultirati strujnim udarom, požarom ili tjelesnom ozljedom.

#### Korištenje i održavanje

- Nikada nemojte koristiti oštećeni ili pokvareni punjač. Odmah isključite punjač te ga popravite ili zamijenite. Dalje korištenje može izazvati strujni udar, požar ili tjelesnu ozljedu.
- Nemojte uklanjati naljepnice. Zamijenite oštećenje naljepnice. Naljepnice sadrže informacije potrebne za sigurno korištenje proizvoda.

#### Servis

- Servis smije obavljati samo ovlašteni servisni centar tvrtke Ingersoll Rand ili slično kvalificirani serviseri. Servis ili održavanje koje je obavilo neovlašteno osoblje može rezultirati rizikom od ozljede. Obratite se najbližem ovlaštenom servisnom centru tvrtke Ingersoll Rand.
- Nemojte otvarati poklopac ili kućište. Unutra nema dijelova koje može servisirati korisnik. Mogli biste se na razne načine ozlijediti ili pretrpjeti strujni udar.
- Ako je kabel napajanja oštećen, mora ga zamijeniti ovlašteni servisni centar tvrtke Ingersoll Rand ili slično kvalificirani serviseri. Oštećeni ili nepravilno instalirani kabeli povećavaju rizik od strujnog udara.

### **POZOR**

Pročitajte priručnik s informacijama o proizvodu da saznate sigurnosne informacije za određeni model.

## Identifikacija sigurnosnih simbola



Rizik od eksplozije.  
Pridržavajte se svih sigurnosnih postupaka za rukovanje.



Nositi zaštitu za oči



Nositi zaštitu za uši



Pročitajte priručnike prije početka rada s proizvodom



(Dwg. 16589525)

## Sigurnosne informacije - Pojašnjenje riječi za sigurnosne signale

<b>⚠ OPASNOST</b>	Označava prijeteću rizičnu situaciju koja će, ako se ne izbjegne, izazvati smrt ili ozbiljnu ozljedu.
<b>⚠ UPOZORENJE</b>	Označava potencijalno rizičnu situaciju koja bi, ako se ne izbjegne, mogla izazvati smrt ili ozbiljnu ozljedu.
<b>⚠ OPREZ</b>	Označava potencijalno rizičnu situaciju koja, ako se ne izbjegne, može izazvati manju ozljedu ili ozljedu umjerene težine ili oštećenje imovine.
<b>POZOR</b>	Označava informaciju ili pravila tvrtke koji se izravno ili neizravno odnose na sigurnost osoblja ili zaštitu imovine.

## Informacije o dijelovima proizvoda

### ⚠ OPREZ

Korištenje drugih zamjenskih dijelova koji nisu originalni dijelovi proizvođača Ingersoll Rand može rezultirati rizičnim situacijama po sigurnost, smanjiti radna svojstva alata, povećati troškove održavanja i poništiti sva jamstva.

Popravke trebaju obavljati samo ovlašteni i obučeni serviseri. Obratite se najbližem ovlaštenom servisnom centru poduzeća Ingersoll Rand.

Originalne upute sastavljene su na engleskom jeziku. Drugi jezici prijevod su originalnih uputa.

Priručnici se mogu preuzeti na [ingersollrandproducts.com](http://ingersollrandproducts.com)

U vezi bilo kakvih potreba obratite se najbližem uredu ili predstavniku tvrtke **Ingersoll Rand**.

**Notes:**

---

