



# SNL 3152 Split plummer (pillow) block housing, SNL 30, 31 and 32 series

## Split plummer (pillow) block housing, SNL 30, 31 and 32 series

SNL plummer (pillow) block housings in the 30, 31 and 32 series are robust and suitable for tough operating conditions. They enable the incorporated bearings to achieve maximum service life with less need for maintenance. Different housing variants and seal designs are available, making the use of tailored housings virtually unnecessary and enabling cost-effective bearing arrangements to be made

- Easy to install
- Cost-effective bearing arrangement
- Reduce maintenance
- Minimize lubricant leakage

## Overview

## Dimensions

Diameter of bearing seat	440 mm
Width of bearing seat	164 mm
Centre height (pillow block)	260 mm
Centre distance between bolt holes	650 mm
Centre distance between bolt holes (axial direction)	160 mm
Attachment bolt diameter	36 mm

## Properties

Housing type	Plummer/pillow block
Housing configuration	Two-piece
Mounting arrangement	Through shaft/Shaft end
Number of bolt holes for fasteners	4
Material, housing	Cast iron
Bearing housing seal type	Without
Housing lubrication feature/possibility	Grease

# Technical Specification



## Dimensions

### Bearing seat

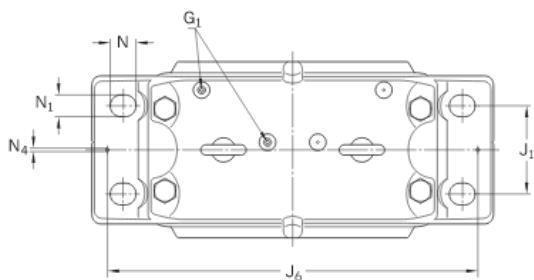
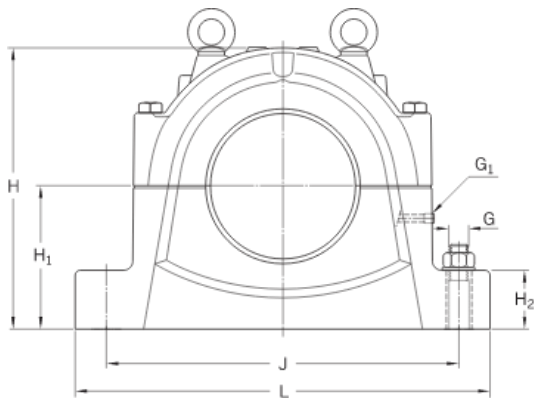
$D_a$	440 mm	Diameter of bearing seat
	G7	Tolerance class of bearing seat diameter
$C_a$	164 mm	Width of bearing seat
$H_1$	260 mm	Centre height of bearing seat

### Outside dimensions

$D_b$	261.6 mm	Bore diameter
A	320 mm	Overall width
$A_1$	280 mm	Foot width
$G_1$	1/8-27 NPSF	Thread of relubrication holes
H	515 mm	Overall height
$H_2$	100 mm	Foot height
L	770 mm	Overall length
J	650 mm	Distance between attachment bolts
$J_1$	160 mm	Axial distance between attachment bolts
N	50 mm	Length of attachment bolt hole (radial)
$N_1$	42 mm	Width of attachment bolt hole
s	13 mm	Offset of bearing axis

### Seal grooves

$A_3$	249 mm	Inside width
$A_4$	11 mm	Width of seal groove
$A_5$	5.5 mm	Width of labyrinth stage
$A_6$	22 mm	Width of labyrinth
$A_7$	304 mm	Width between seal grooves
$D_c$	276.6 mm	Diameter of seal groove



$D_d$	285.6 mm	Diameter of seal groove
-------	----------	-------------------------

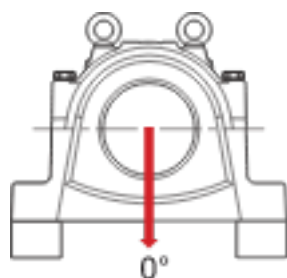
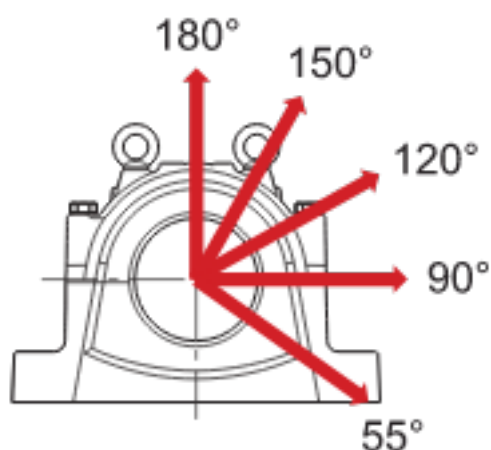
#### Dowel pins

$J_6$	720 mm	Distance between dowel pins
$N_4$	20 mm	Diameter of dowel pins

#### Calculation data

##### Breaking loads

$P_{0^\circ}$	3 800 kN	Breaking load at 0° load angle
$P_{55^\circ}$	4 700 kN	Breaking load at 55° load angle
$P_{90^\circ}$	2 300 kN	Breaking load at 90° load angle
$P_{120^\circ}$	1 700 kN	Breaking load at 120° load angle
$P_{150^\circ}$	1 500 kN	Breaking load at 150° load angle
$P_{180^\circ}$	1 900 kN	Breaking load at 180° load angle
$P_a$	1 200 kN	Breaking load, axial



##### Yield points of cap bolts

$Q_{12^\circ}$	2 860 kN	Load to reach yield point at 120° load angle
$Q_{15^\circ}$	1 650 kN	Load to reach yield point at 150° load angle
$Q_{18^\circ}$	1 430 kN	Load to reach yield point at 180° load angle

## Materials

Housing material	Cast iron
Corrosion protection	Paint - in accordance with ISO 12944-2, corrosivity category C2

## Mass

Mass	221 kg
------	--------

## Mounting information

Recommended diameter of attachment bolts	G	36 mm
Recommended tightening torque for attachment bolts		2 280 N·m
Size of cap bolts		M30x200
Tightening torque for cap bolts		400 N·m
Size of eye bolt		M24
Initial grease fill, 20%		2.8 kg
Initial grease fill, 40%		4.3 kg

## Included products

Grease fitting	AH 1/8-27 PTF, M1 G 1/8
Adapter	LAPN 1/8

# Terms and conditions

By accessing and using this website / app owned and published by AB SKF (publ.) (556007-3495 · Gothenburg) ("SKF"), you agree to the following terms and conditions:

## Warranty Disclaimer and Limitation of Liability

Although every care has been taken to assure the accuracy of the information on this website / app, SKF provides this information "AS IS" and DISCLAIMS ALL WARRANTIES, EXPRESS OR IMPLIED, INCLUDING, BUT NOT LIMITED TO, IMPLIED WARRANTIES OF MERCHANTABILITY AND FITNESS FOR A PARTICULAR PURPOSE. You acknowledge that your use of this website / app is at your sole risk, that you assume full responsibility for all costs associated with use of this website / app, and that SKF shall not be liable for any direct, incidental, consequential, or indirect damages of any kind arising out of your access to, or use of the information or software made available on this website / app. Any warranties and representations in this website / app for SKF products or services that you purchase or use will be subject to the agreed upon terms and conditions in the contract for such product or service. Further, for non-SKF websites / apps that are referenced in our website / app or where a hyperlink appears, SKF makes no warranties concerning the accuracy or reliability of the information in these websites / apps and assumes no responsibility for material created or published by third parties contained therein. In addition, SKF does not warrant that this website / app or these other linked websites / apps are free from viruses or other harmful elements.

## Third Party Services

When viewing YouTube content via the SKF website(s) (i.e. using YouTube API Services), you agree to be bound by the YouTube Terms of Service.

## Copyright

Copyright in this website / app copyright of the information and software made available on this website / app rest with SKF or its licensors. All rights are reserved. All licensed material will reference the licensor that has granted SKF the right to use the material. The information and software made available on this website / app may not be reproduced, duplicated, copied, transferred, distributed, stored, modified, downloaded or otherwise exploited for any commercial use without the prior written approval of SKF. However, it may be reproduced, stored and downloaded for use by individuals without prior written approval of SKF. Under no circumstances may this information or software be supplied to third parties.

This website /app includes certain images used under license from Shutterstock, Inc.

## Trademarks and Patents

All trademarks, brand names, and corporate logos displayed on the website / app are the property of SKF or its licensors, and may not be used in any way without prior written approval by SKF. All licensed trademarks published on this website / app reference the licensor that has granted SKF the right to use the trademark. Access to this website / app does not grant to the user any license under any patents owned by or licensed to SKF.

## Changes

SKF reserves the right to make changes or additions to this website / app at any time.